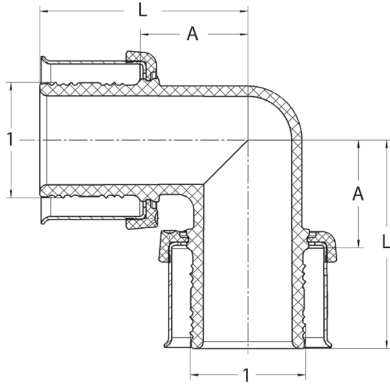


# Dimensional Documentation

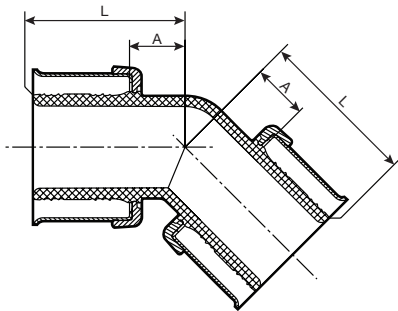


## Viega PureFlow® Press Polymer Fittings

PureFlow Press 90° Elbow Zero Lead Polymer - Model V5616



Part No	Size	A (in)	L (in)
	1		
49210	3/8"	0.51	1.11
49220	1/2"	0.51	1.11
49240	3/4"	0.68	1.271
49260	1"	0.77	1.52
49270	1 1/4"	0.98	2.08
49280	1 1/2"	1.09	2.19
49290	2"	1.65	2.72



PureFlow Press 45° Elbow Zero Lead Polymer - Model V5626

Part No	Size	A (in)	L (in)
	1		
49285	1 1/2"	0.66	1.75
49286	2"	0.96	2.03