

Metropol
Freestanding Tub Filler Trim with Loop Handle and 1.75 GPM Handshower
 Finishes : **brushed nickel** Part no. : **74532821**



Description

Features

- Flow: 5.28 GPM (20 L/Min)
- Ceramic cartridge
- Integrated double backflow prevention

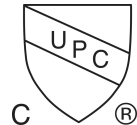
Item details

List Price \$ 3,009.00

Technology



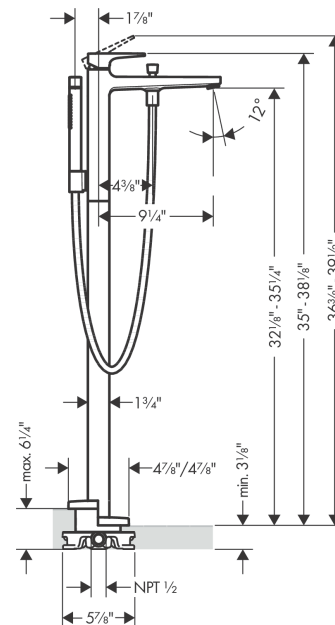
Compliance



Product image



Scale drawing

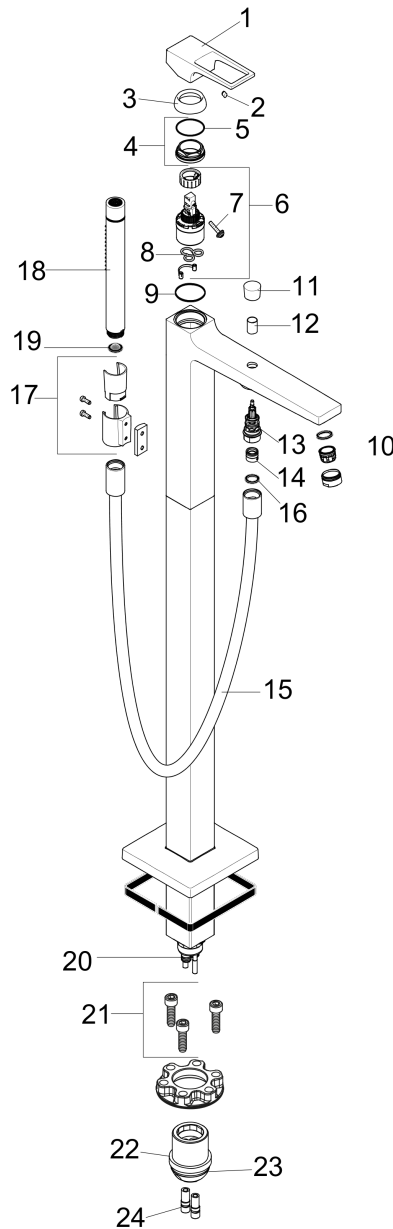


Metropol
Freestanding Tub Filler Trim with Loop Handle and 1.75 GPM Handshower
 Finishes : **brushed nickel** Part no. : **74532821**



Exploded drawing

Year of production: >01/18



Metropol

Freestanding Tub Filler Trim with Loop Handle and 1.75 GPM Handshower

Finishes : **brushed nickel** Part no. : **74532821**



Spare parts list

Year of production: >01/18

Pos.	Description	Part no.	Price	PU
1	handle	93076820	-	1
2	screw cover	96338000	-	1
3	flange	97406820	-	1
4	nut	97209000	-	1
5	O-Ring 32x2	98193000	-	1
6	cartridge, assy	92730000	-	1
7	locking screw for handle	95140000	-	1
8	seal	95008000	-	1
9	O-ring 35x2	92604000	-	1
10	aerator M24x1 (30 l/min)	96512820	-	1
11	diverter knob	95284820	-	1
12	sleeve	97979820	-	1
13	selector	97978000	-	1
14	non return valve	97980000	-	1
15	shower hose 1,25 m	28282820	-	1
16	seal	98058000	-	1
17	shower holder, assy	96295820	-	1
18	handshower	04486820	-	1
19	filter packing	94246000	-	1
20	O-ring 9x1,5	98117000	-	1
21	hexagon socket screw M10x35	97670000	-	1
22	O-ring 29x3	98371000	-	1
23	O-ring 44x2,5	98162000	-	1
24	O-ring 7x2	98419000	-	1
a	escutcheon	93245820	-	1
b	extension set 60 mm	97686000	-	1