

## PULL STOP BOX™

### Specification

Furnish and install the Pull Stop Box™ outlet box as manufactured by LSP Products Group.

### Design Features

- Patented design moves the angle-stop for toilet and lavatory water supply into the wall
- Allows angle stops to be installed during the rough-in phase and be pressure tested for reduced liability and labor
- Easy to install vertically, upside down and, horizontally
- Eliminates the need for a copper stub out
- Unique push-pull handle opens and closes the valve
- Integrated, replaceable valve has a reliable triple O-ring design inlet seal
- 5-year, limited warranty
- Available deep faceplate accepts up to two sheets of 5/8" drywall
- Ball valve design with Teflon seats
- 3/8" Compression Outlet Connection

### Caution

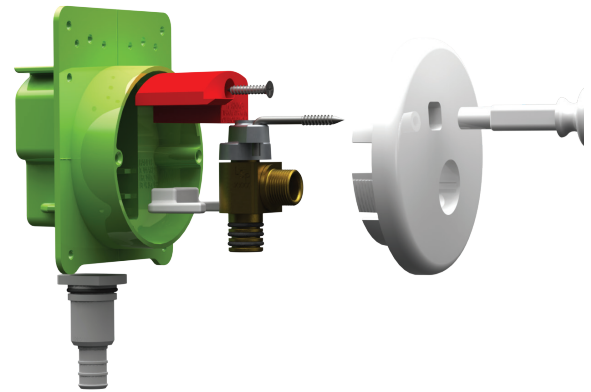
- Keep away from solvents/cements/primers
- Keep out of sunlight and other heat sources
- Supply line pipe clamps need to be installed a minimum of 6 inches above/below Pull Stop Box™ inlet connection

### Operating Specification

- Temperature: 40-180°F working temperature
- Pressure: 125 PSI max working pressure

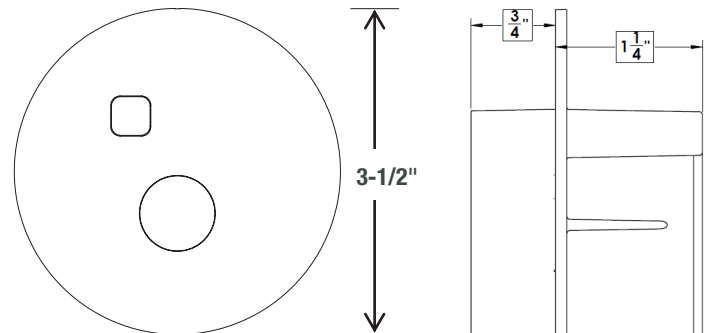
### Compliance

- IAPMO listed to ASME A112.18.1/CSA B125.1, file 4577
- IAPMO Listed ANSI/NSF 61 file N-6614
- IAPMO Listed to Lead Free Plumbing Law file 6545

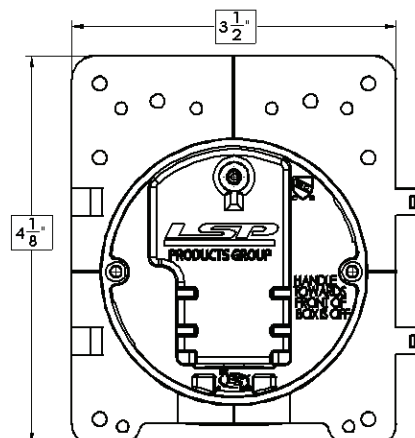


### DIMENSIONS

#### Escutcheon



#### Front View



Content matter is subject to change at any time. It is the user's responsibility to ensure the most updated revisions are obtained. 10/2020



Legacy of **INNOVATION**



Part Number	Inlet Type
<b>ROUGH-IN KIT - includes box, valve, and protective cover</b>	
OBPS-101-RK-LL	1/2" Male Copper Sweat, Lead Free
OBPS-102-RK-LL	1/2" Male CPVC, Lead Free
OBPS-103-RK-LL	1/2" Crimp PEX, Lead Free
OBPS-104-RK-LL	1/2" UPONOR PEX, Lead Free
OBPS-105-RK-LL	1/2" Viega PEX, Lead Free
OBPS-108-RK-LL	1/2" Rehau PEX, Lead Free
<b>TRIM KIT - includes knob and escutcheon</b>	
OBPS-200-W*	White-Paintable
OBPS-200-C*	Chrome
OBPS-200-SN*	Satin Nickel
OBPS-200-ORB*	Oil Rubbed Bronze
OBPS-200-W-S*	White-Paintable with Screw
OBPS-300D-W-S*	White-Paintable (Deep) with Screw
OBPS-300D-C*	Chrome (Deep)
OBPS-300D-SN*	Satin Nickel (Deep)
OBPS-300D-ORB*	Oil Rubbed Bronze (Deep)
<b>TRIM KIT - includes knob, escutcheon, screws and clip</b>	
OBPS-400-W**	White-Paintable
OBPS-400D-W**	White-Paintable (Deep)
OBPS-400SD-W**	White-Paintable (Super Deep)

\* Great for kitchens and lavatories or other exposed area Pull Stop Box™ applications.

\*\* Designed for ice maker, dishwasher and washing machine Pull Stop Box™ applications.

ACCESSORIES/REPLACEMENT PARTS	
OBPS-500D-W	Extension Kit For Trim (Deep, White)
P-06878-LL	3/8" Compression, 1/4 Turn Replacement Valve, Lead Free
P-06879-LL	1/4" Compression, 1/4 Turn Replacement Valve, Lead Free
P-06881	3/4" GHT, 1/4 Turn Replacement Valve, Lead Free
P-06923	Escutcheon Extension Ring
P-06930	Dual Escutcheon Extension Ring
P-06928	2.5" Self-Tapping Screw 2 Pack
P-06921	1" Self-Tapping Screw 2 Pack
P-06915	Debris Cover, Black
P-1078-18	18" Hyco strap
P-1078-26	26" Hyco strap
P-06735	Tee Adaptor, Female 3/8" Compression x 2 x Male 3/8" Compression
P-06406***	Poly Inline Hammer Arrester 1/2" Crimp PEX
P-06407***	Poly Inline Hammer Arrester 1/2" UPONOR PEX
P-06408***	Poly Inline Hammer Arrester 1/2" Male CPVC
OBPS-TOOL-1	3/8" Comp, wrench to tighten all Toilet, Faucet and Dishwasher Pull Stop Boxes™
OBPS-TOOL-3	3/8" Comp, Drop Forged. Extremely durable wrench to tighten all Toilet, Faucet and Dishwasher Pull Stop Boxes™

\*\*\* ASSE 1010 Compliant

Product Submittal	
Job Name:	Date:
Part Number:	Quantity:
Architect:	
Contractor:	

Content matter is subject to change at any time. It is the user's responsibility to ensure the most updated revisions are obtained. 10/2020

### Rough-in Installation Instructions

1. Identify the desired outlet location.
2. Attach the supply line to the valve inlet via pipe manufactures recommended practice. (i.e., sweat for copper, solvent cement for CPVC, crimp rings for PEX)
3. Fasten the Pull Stop Box™ using two screws or two nails on the side of the box into vertical stud or mount using a HYCO strap, horizontal stud or Boss Bar™ onto the top of the box. (Do not over tighten screws or over drive nails). Supply line pipe clamps need to be installed a minimum of 6 inches above/below Pull Stop Box™ inlet connection.
4. The Pull Stop Box™ is shipped in the “off” position. Once the box is securely attached to the wall and the supply line is properly attached no further work is necessary during the rough-in phase. The included protective cover will protect the valve during the construction process.

### Trim Installation Instructions

1. Pull off the protective cover.
2. Feed a flexible connector through the escutcheon, and thread a flexible connector onto the valve outlet; tighten to manufacturer specifications.
3. Line up the threaded metal arm to fit through the square hole in the escutcheon and push the escutcheon into the outlet box until it is flush with the wall while making sure to feed the threaded metal arm through the square hole.
4. Thread the knob onto the threaded metal arm a minimum of four complete turns.
5. When water supply is desired push the knob towards the wall to turn the valve on.
6. To stop the flow of water, pull the knob out.

### Valve Replacement Instructions

1. Turn off water supply to building. Then, pull knob to “off” position. Then, unscrew knob and pull out escutcheon.
2. Use phillips screwdriver to remove screw from red valve block.
3. Remove current valve and replace with a new one.
4. Secure the valve block back into place with the screw.
5. Follow steps 3-6 under Trim Installation Instructions.

MATERIAL SPECIFICATIONS	
Part	Material
Valve Body, Stem	Lead Free Brass
Valve Handle	Cast Aluminum
Ball	Chrome Plated Lead Free Brass
O-rings	High Temperature Rubber
Box	Fire Resistant ABS
PEX Inlet Connection	Engineered Polymer PPSU
CPVC Inlet Connection	Fitting Grade CPVC
Copper Inlet Connection	ASTM B88 Copper Tube

Product Submittal	
Job Name:	Date:
Part Number:	Quantity:
Architect:	
Contractor:	

*Content matter is subject to change at any time. It is the user's responsibility to ensure the most updated revisions are obtained. 10/2020*