

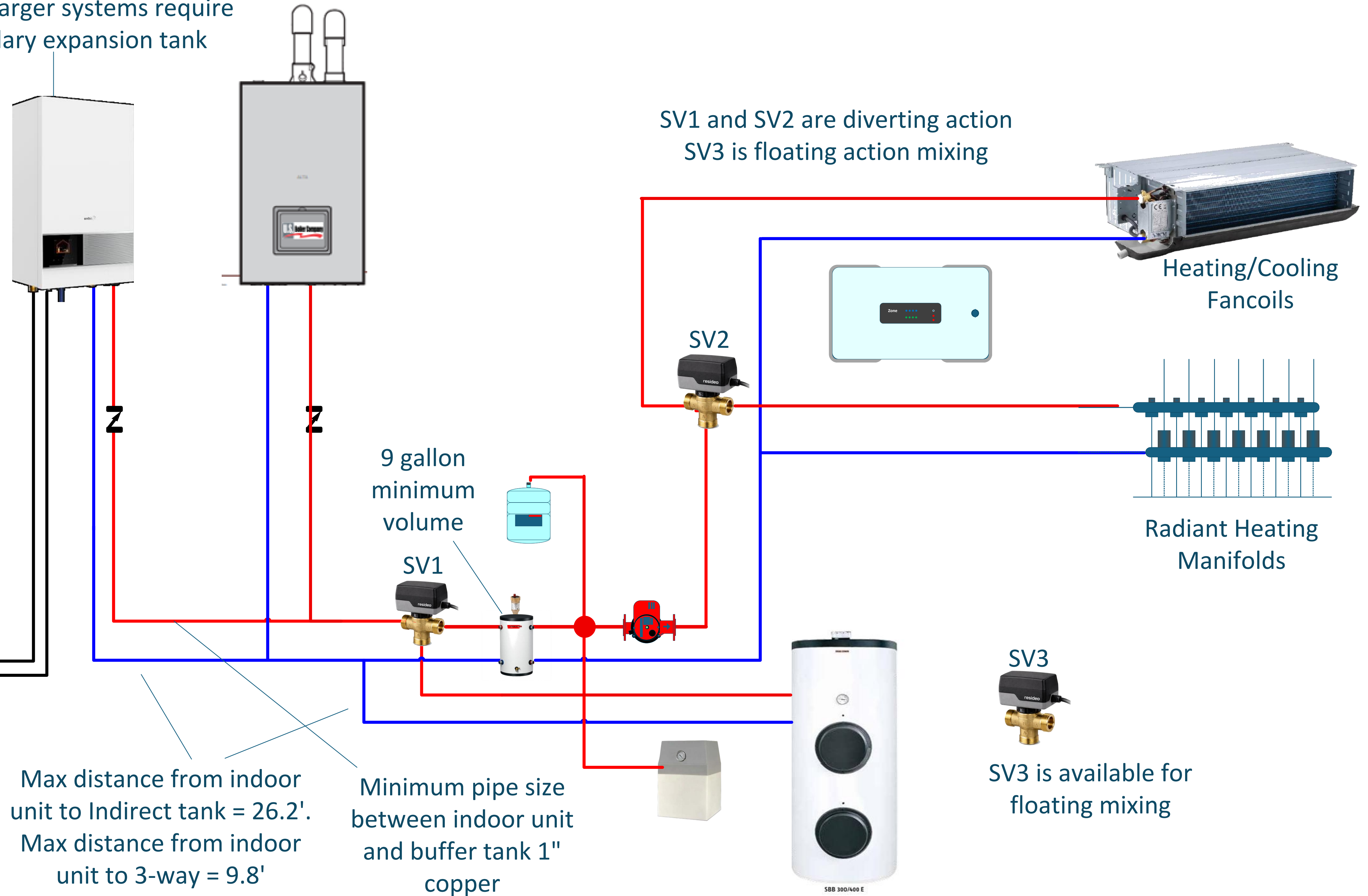
- Max lineset distance 98'
- Precharged for 49.2', when increasing precharge length, pay attention to indoor room ventilation/size requirement
- Max vertical height difference from indoor/outdoor unit is 65'
- Refrigerant is R-32
- Power supply is 208/230V 1ph
- Outdoor Unit recommended 50A
- Indoor Unit recommend 25A

Internal Expansion Tank is 1.32 Gallons, larger systems require secondary expansion tank



5/8" gas
3/8 liquid

Be sure to account for drainage/ice buildup below outdoor unit



Max distance from indoor unit to Indirect tank = 26.2'.
Max distance from indoor unit to 3-way = 9.8'

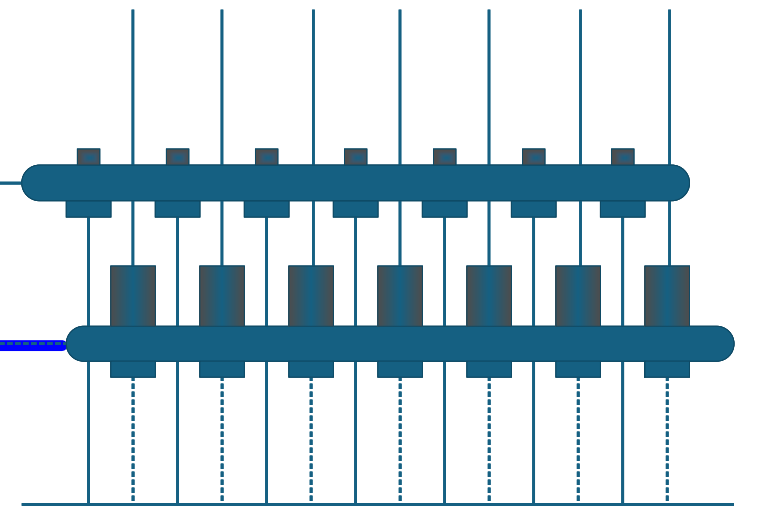
Minimum pipe size between indoor unit and buffer tank 1" copper

SV1 and SV2 are diverting action
SV3 is floating action mixing

SV3 is available for floating mixing



Heating/Cooling Fancoils



Radiant Heating Manifolds



SBB 300/400 E