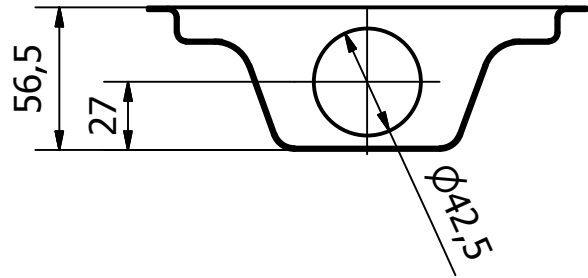
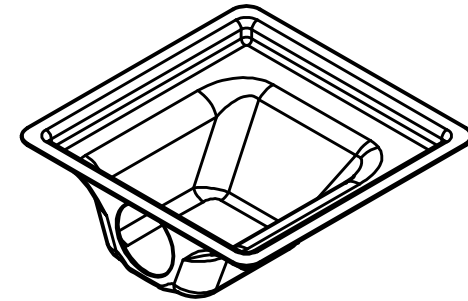
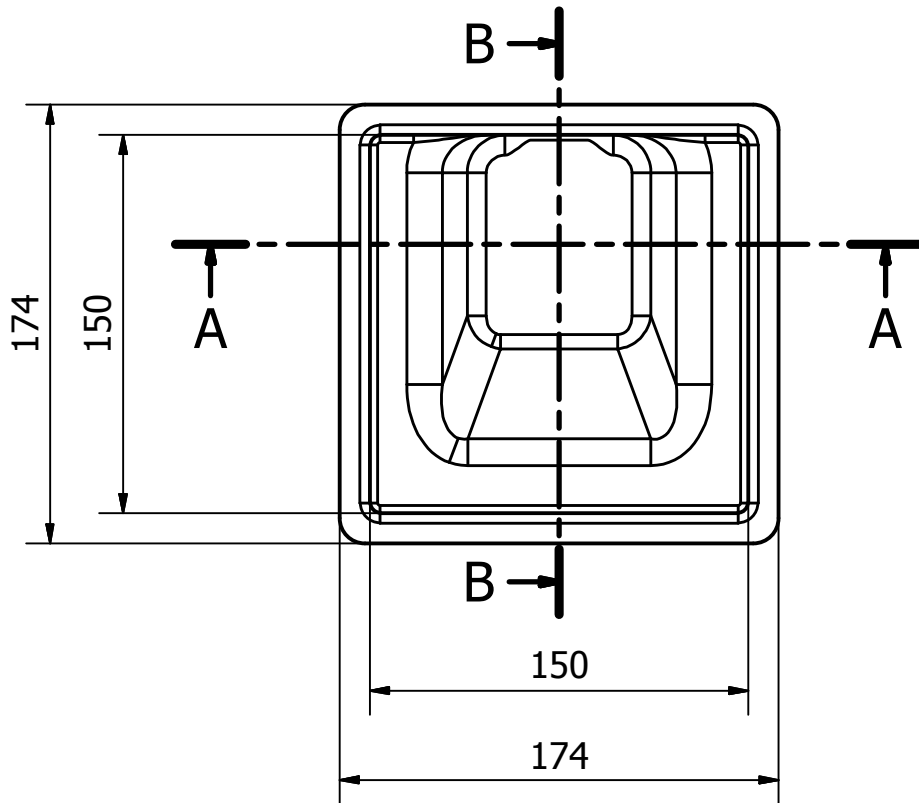
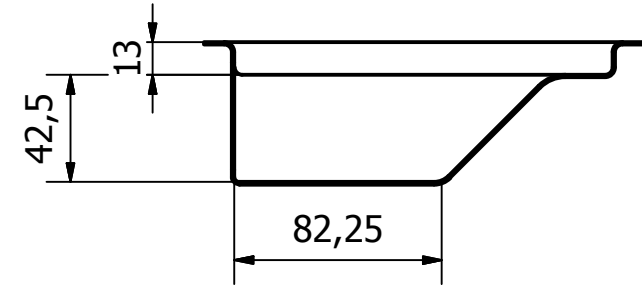


A-A ( 1/3 )



B-B ( 1/3 )



I-DRAIN NEDERLAND B.V.

Teugseweg 20 | 7418 AM Deventer  
 Postbus 131 | 7400 AC Deventer  
 T +31 (0)570 74 54 00 | E info@i-drain.nl  
[www.i-drain.nl](http://www.i-drain.nl)



PROJECT:Square_Linear	Tol: +/-ISO-2768-C	Datum: 5/01/2015	A4
Omschrijving:Square drain Linear	Tekenaar: Roel	Materiaal: RVS	1/3
Goedkeuring:	Tekening:Square_Linear.dwg		Rev.0

THIS DOCUMENT CONTAINS CONFIDENTIAL AND PROPRIETARY INFORMATION THAT CANNOT BE REPRODUCED OR DIVULGED IN WHOLE OR IN PART, WITHOUT WRITTEN AUTHORIZATION FROM GROUP NIVELLES N.V.