

SMART



KRONOTEX

BY SWISS KRONO GROUP

9 × 1380 × 193 × 7 mm = 2,397 m²
54.33 × 7.59 × 0.275" = 25.80 sq.ft

≈ 15 kg / 33 lbs approx.

EN ISO 10874
Guarantee
20 YEARS
acc. to SWISS KRONO TEX conditions

EN ISO 10874
Guarantee
2 YEARS
acc. to SWISS KRONO TEX conditions

7 mm

AC 3

Made in Germany

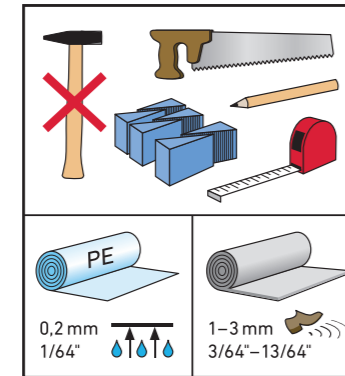
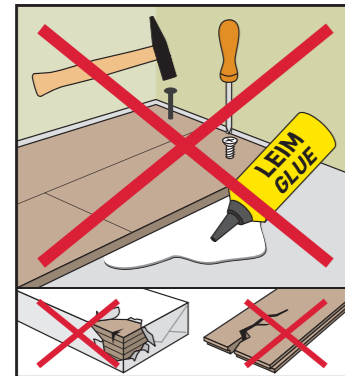
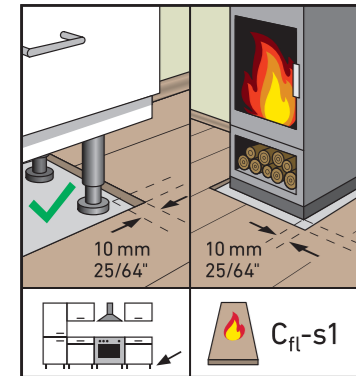
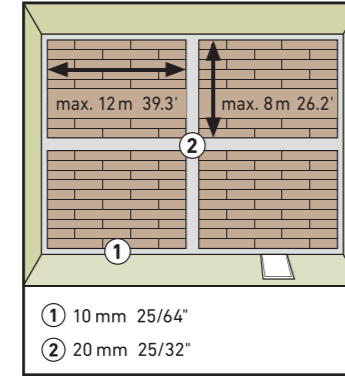
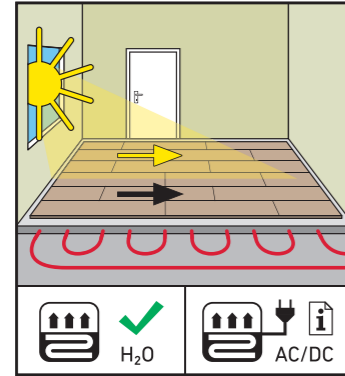
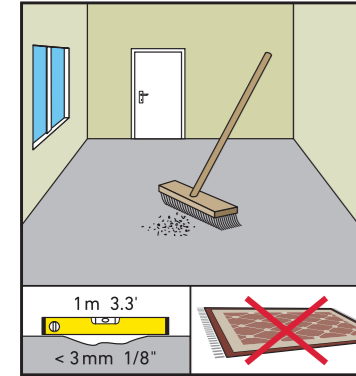


more information

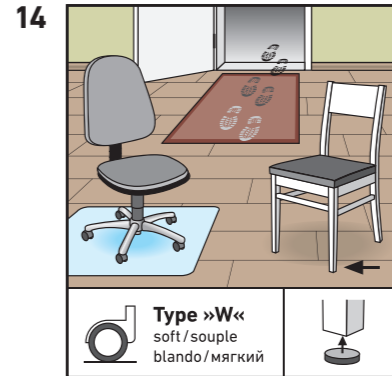
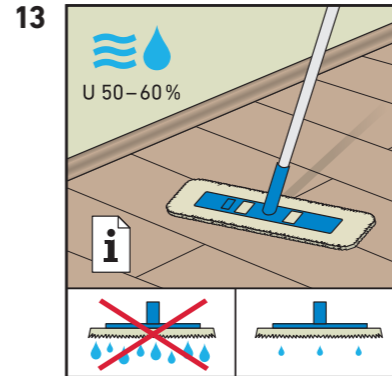
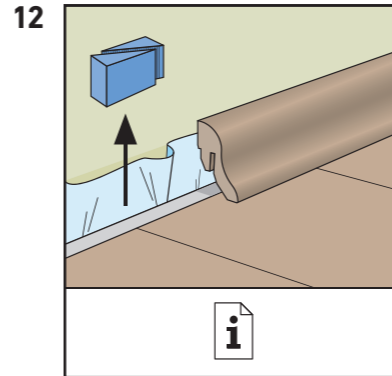
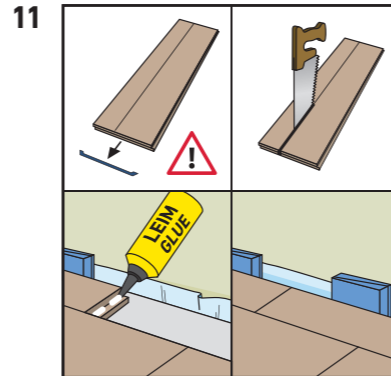
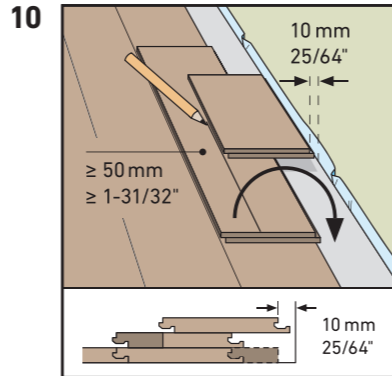
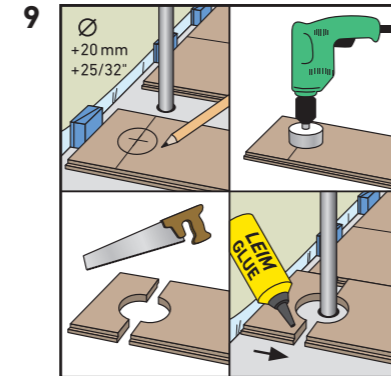
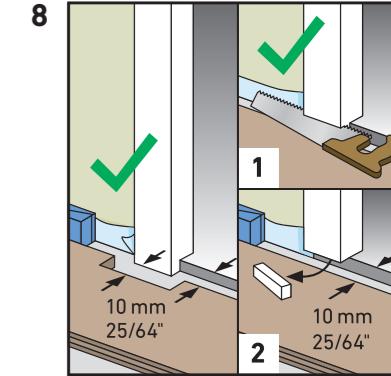
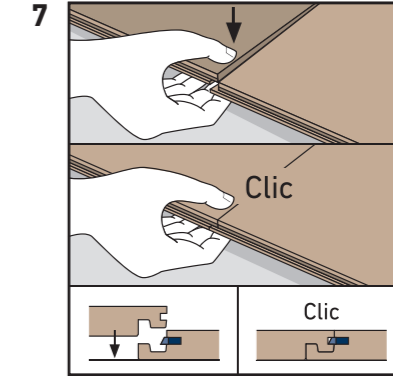
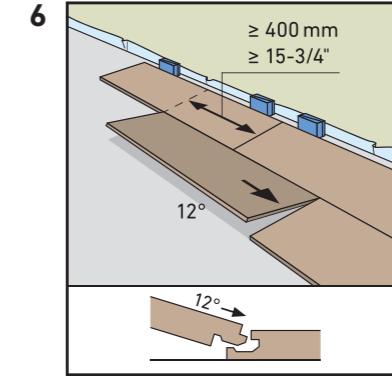
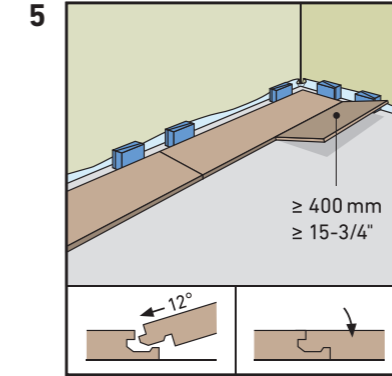
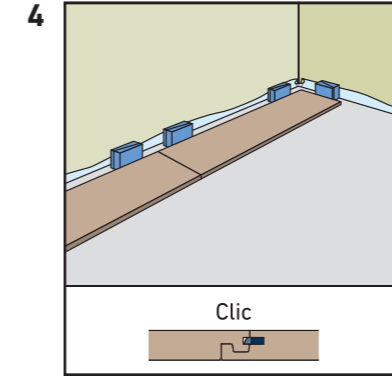
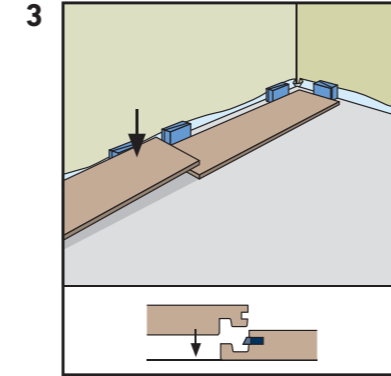
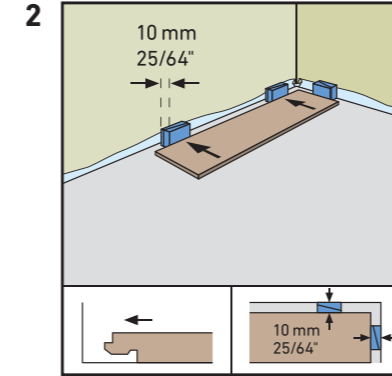
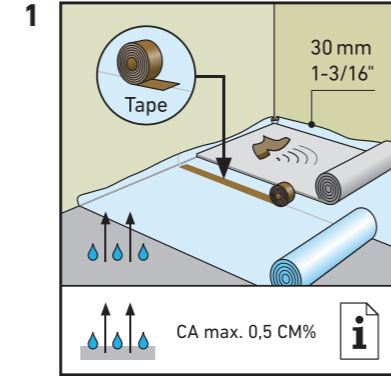


48 h
U < 70 %
> 18 °C / 64 °F

IMPORTANT INFORMATION



INSTALLATION



REMOVAL

