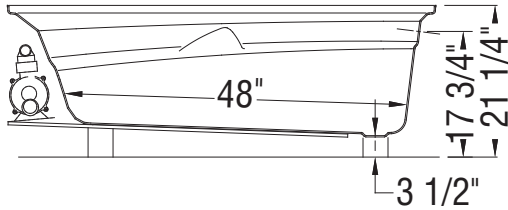
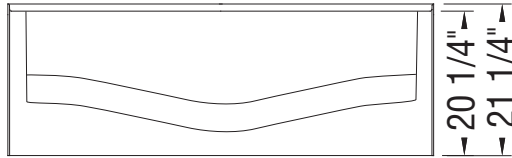
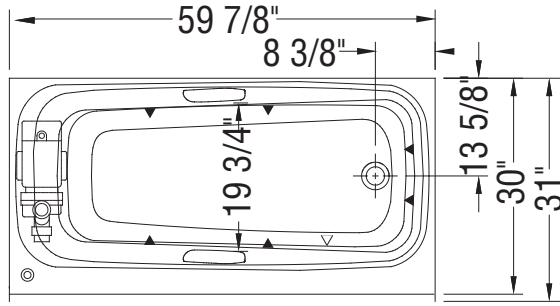


WHIRLPOOL SYSTEM



( ▲ ): Indicates Whirlpool jets positioning

( △ ): Indicates suction positioning

**All dimensions are approximate. Structure measurements must be verified against the unit to ensure proper fit.**