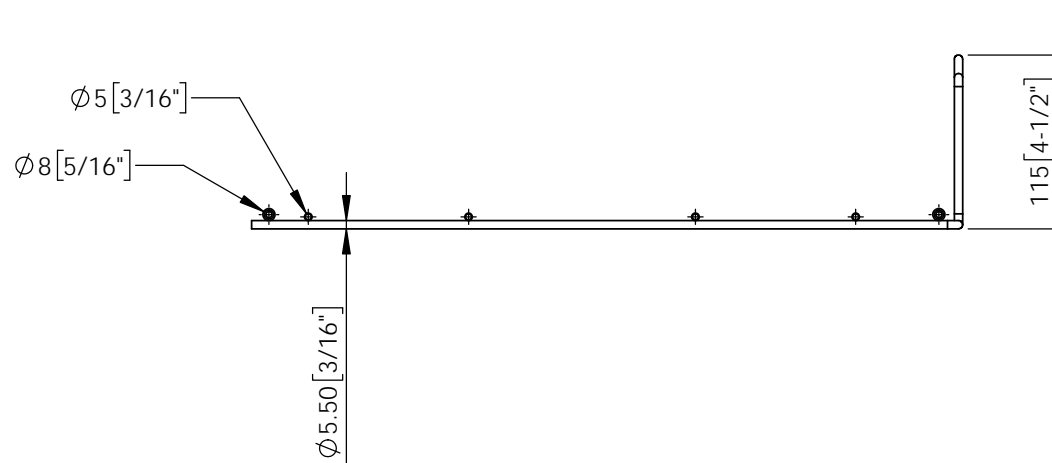
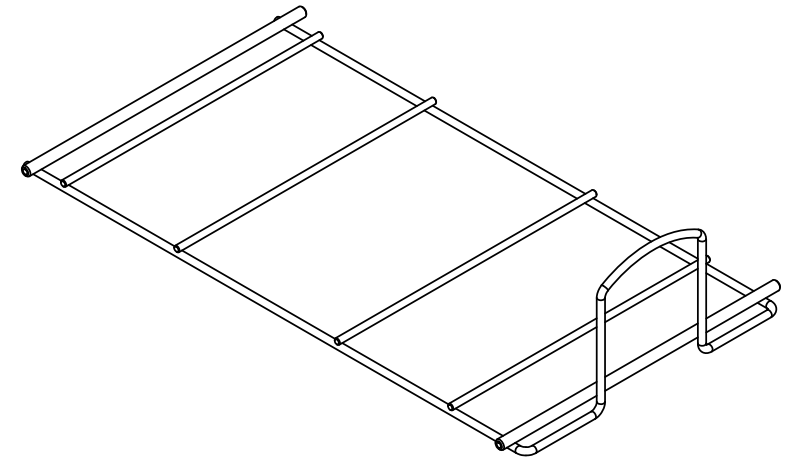
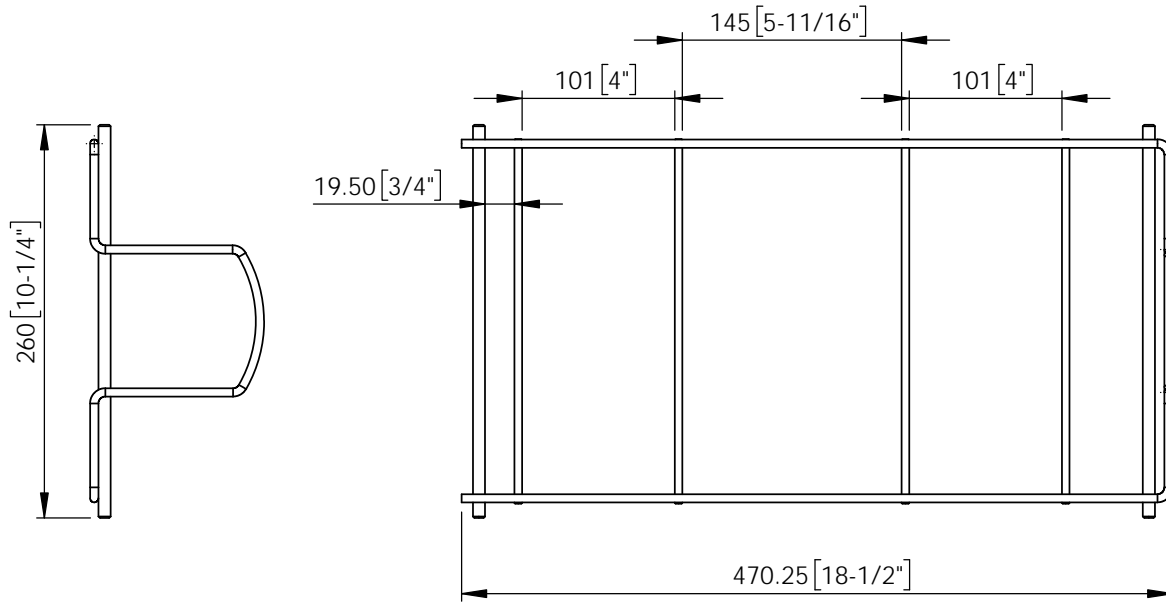
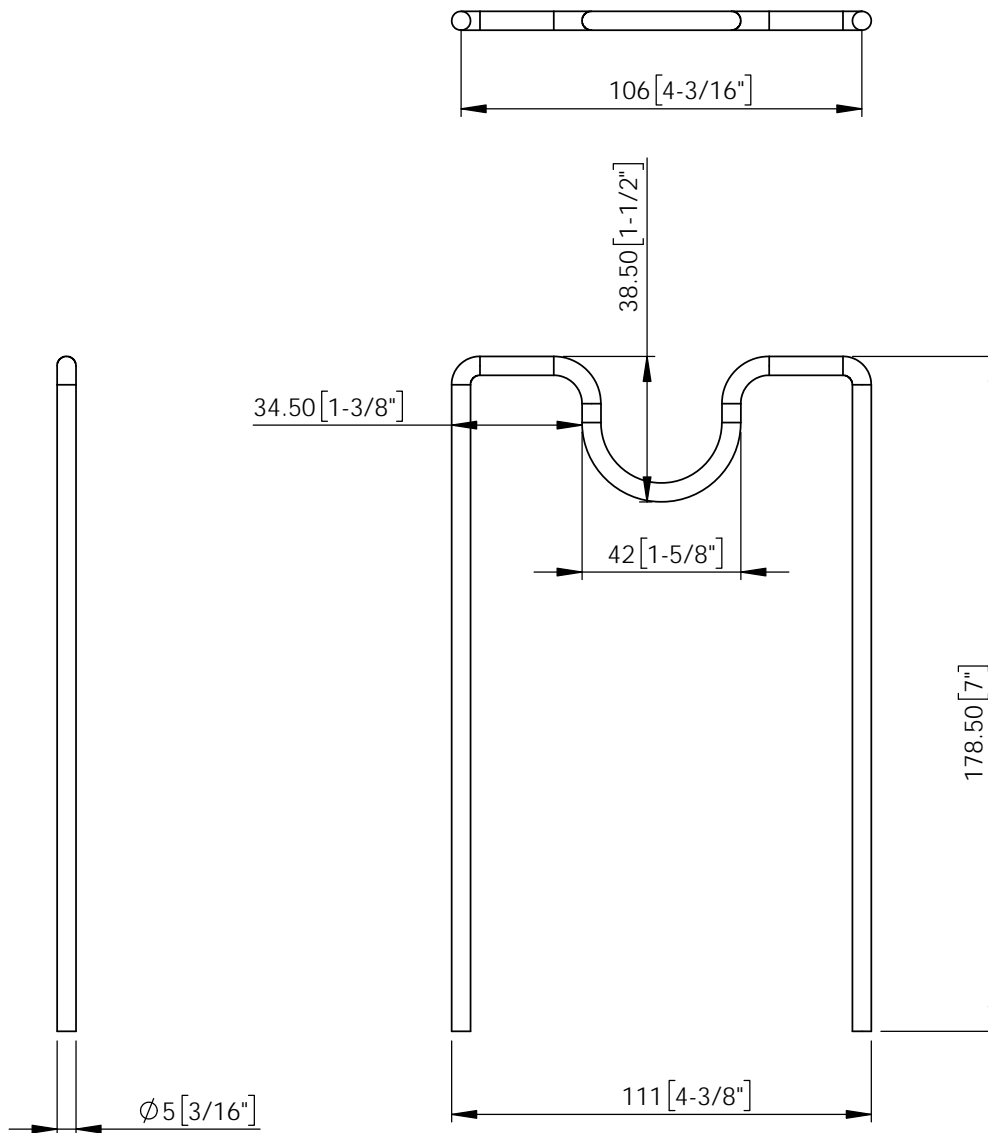


<p>hardware resources</p> <p>PROPRIETARY AND CONFIDENTIAL</p> <p>THE INFORMATION CONTAINED IN THIS DRAWING IS THE SOLE PROPERTY OF HARDWARE RESOURCES INC. ANY REPRODUCTION IN PART OR AS A WHOLE WITHOUT THE WRITTEN PERMISSION OF HARDWARE RESOURCES INC. IS PROHIBITED.</p>	ITEM#:	mppo215-r		MATERIAL:
	FINISH:			WEIGHT:
	TOLERANCE UNLESS OTHERWISE SPECIFIED:	UNITS:	DRAWING BY:	DATE:
	x ±0.20 xx ±0.10 xxx ±0.05 ANGULAR: ±0.5°	SHEET: FINISH:	<i>Alexander.w</i> FINISH:	03/10/16 DATE: REVISION:

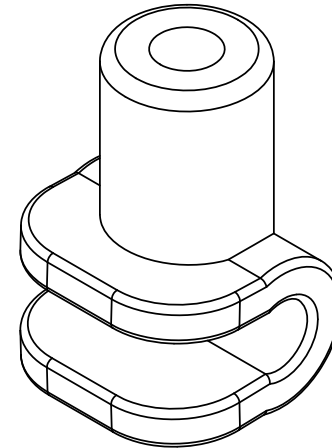
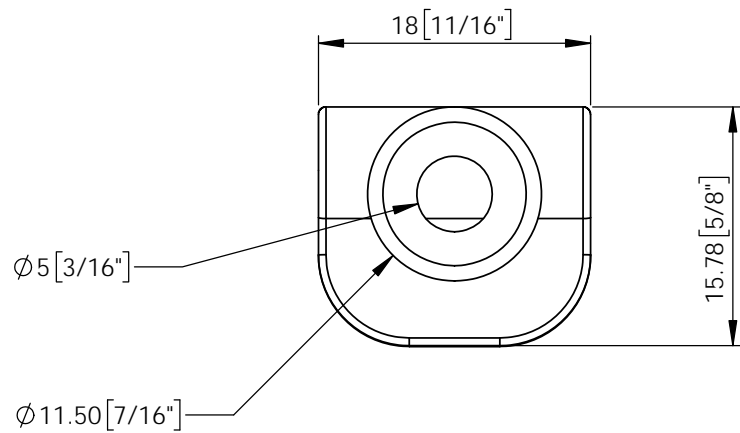
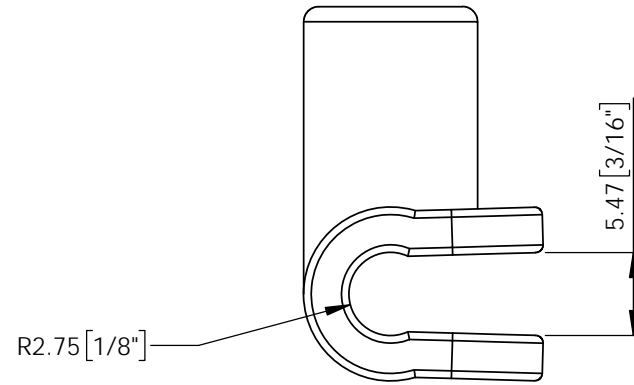
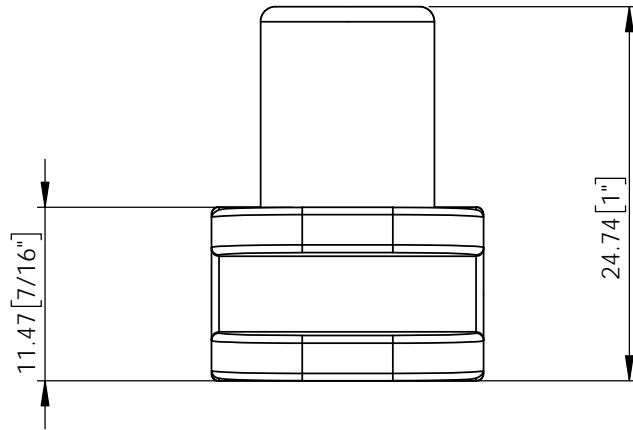


<p>PROPRIETARY AND CONFIDENTIAL</p> <p>THE INFORMATION CONTAINED IN THIS DRAWING IS THE SOLE PROPERTY OF HARDWARE RESOURCES INC. ANY REPRODUCTION IN PART OR AS A WHOLE WITHOUT THE WRITTEN PERMISSION OF HARDWARE RESOURCES INC. IS PROHIBITED.</p>	ITEM#:	frame		MATERIAL:
	FINISH:			WEIGHT:
	TOLERANCE UNLESS OTHERWISE SPECIFIED:	UNITS:	DRAWING BY:	DATE:
	x ±0.20 xx ±0.10 xxx ±0.05 ANGULAR: ±0.5°	SHEET:	FINISH:	REVISION:
DO NOT SCALE DRAWING	PROJECTION:		DATE: 03/10/16	



	ITEM#: M-MSBR_3		MATEIAL:	
	FINISH:		WEIGHT:	
	PROJECTION:			
	TOLERANCE UNLESS OTHERWISE SPECIFIED:		UNITS:	DRAWING BY: Alexander.w
x ±0.20 xx ±0.10 xxx ±0.05 ANGULAR: ±0.5°		SIZE:	FINISH:	DATE:
DO NOT SCALE DRAWING		SHEET:	FINISH:	REVISION:

PROPRIETARY AND CONFIDENTIAL
 THE INFORMATION CONTAINED
 IN THIS DRAWING IS THE SOLE
 PROPERTY OF HARDWARE
 RESOURCES INC.
 ANY REPRODUCTION IN PART
 OR AS A WHOLE WITHOUT THE
 WRITTEN PERMISSION OF
 HARDWARE RESOURCES INC.
 IS PROHIBITED.



<p>PROPRIETARY AND CONFIDENTIAL</p> <p>THE INFORMATION CONTAINED IN THIS DRAWING IS THE SOLE PROPERTY OF HARDWARE RESOURCES INC. ANY REPRODUCTION IN PART OR AS A WHOLE WITHOUT THE WRITTEN PERMISSION OF HARDWARE RESOURCES INC. IS PROHIBITED.</p>	ITEM#:	MSBR-9_1		MATERIAL:
	FINISH:			WEIGHT:
	TOLERANCE UNLESS OTHERWISE SPECIFIED:	UNITS:	DRAWING BY:	DATE:
	x ±0.20 xx ±0.10 xxx ±0.05 ANGULAR: ±0.5°	SHEET:	FINISH:	REVISION:
DO NOT SCALE DRAWING	PROJECTION:		DATE: 03/10/16	