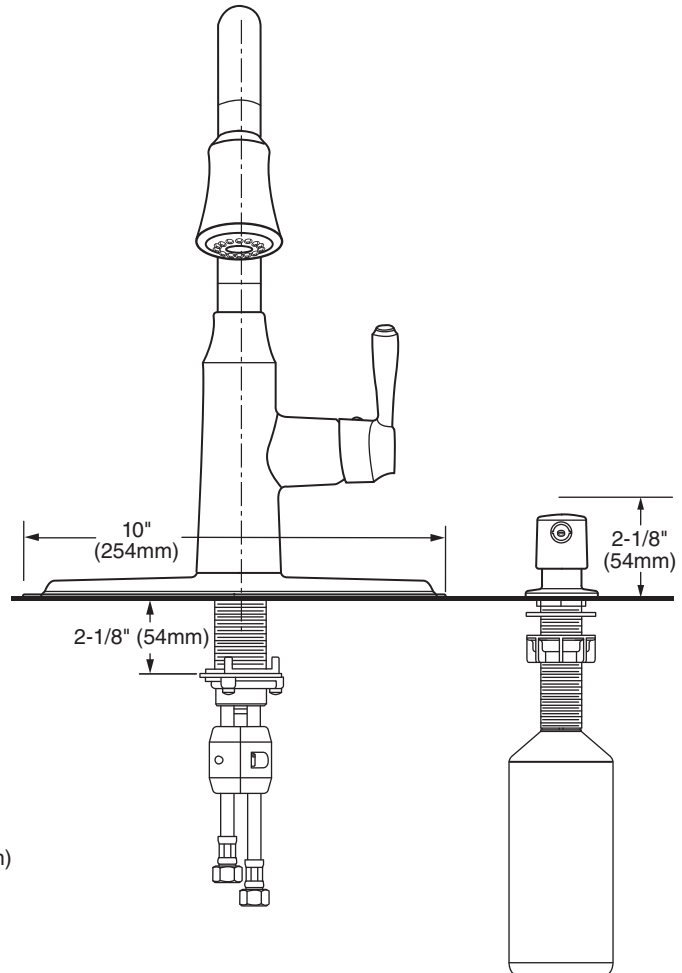
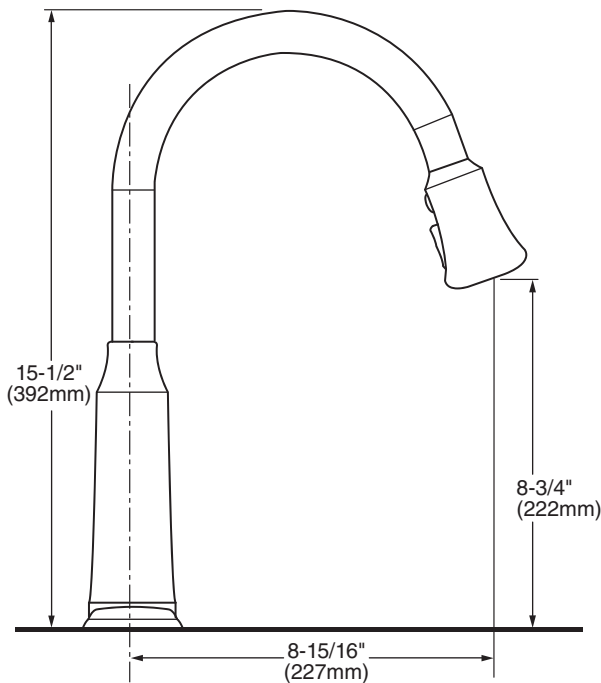




MODEL NUMBER:

☐ **9391.301.002 Kitchen Faucet with Pull-Down Spray**
Soap dispenser. Polished Chrome finish. SKU# 128548.



GENERAL DESCRIPTION:

Zinc diecast body with brass swivel spout and metal lever handle. Pull-down spray with adjustable spray pattern and push button activation. Metal reinforced hose. Washerless 40mm ceramic disc valve cartridge. Complete with two integral check valves. Braided flexible supply hoses with 3/8" compression connectors. 1.8 gpm/6.8Lmin. maximum flow rate.

PRODUCT FEATURES:

Ceramic Disc Valve Cartridge: Assures smooth, precise valve control and a lifetime of drip-free, maintenance-free performance.

Brass Construction: Highest quality materials for durability and long life.

Memory Position Valving: Allows user to turn valve on and off at preferred temperature setting without readjusting handle position each time.

Lead Free: Faucet contains ≤ 0.25% total lead content by weighted average.

Pull-down Spray: Adjustable spray pattern-stream to spray.

Integral Check Valves: Prevents back flow.

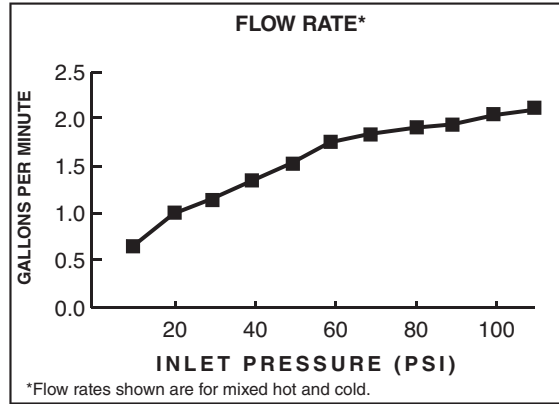
SUGGESTED SPECIFICATION:

Single control kitchen faucet shall feature a zinc diecast body with pull-down spray. Shall also feature washerless ceramic disc valve cartridge, flexible supply hoses and two integral check valves. Fitting shall be American Standard Model # 9391.301.002, SKU# 128548.


CODES AND STANDARDS

These products meet or exceed the following codes and standards:

- ANSI A117.1**
- ASME A112.18.1**
- NSF 61/Section 9**
- CSA B125**



Product Number	Description
9391.301.002	Kitchen faucet with Pull-Down spray. Soap dispenser. Polished Chrome finish. SKU# 128548.

 Meets the American Disabilities Act Guidelines and **ANSI A117.1** Requirements for the physically challenged.