

■ **SKU # 8223410 (Matte Black, C5134MB)**

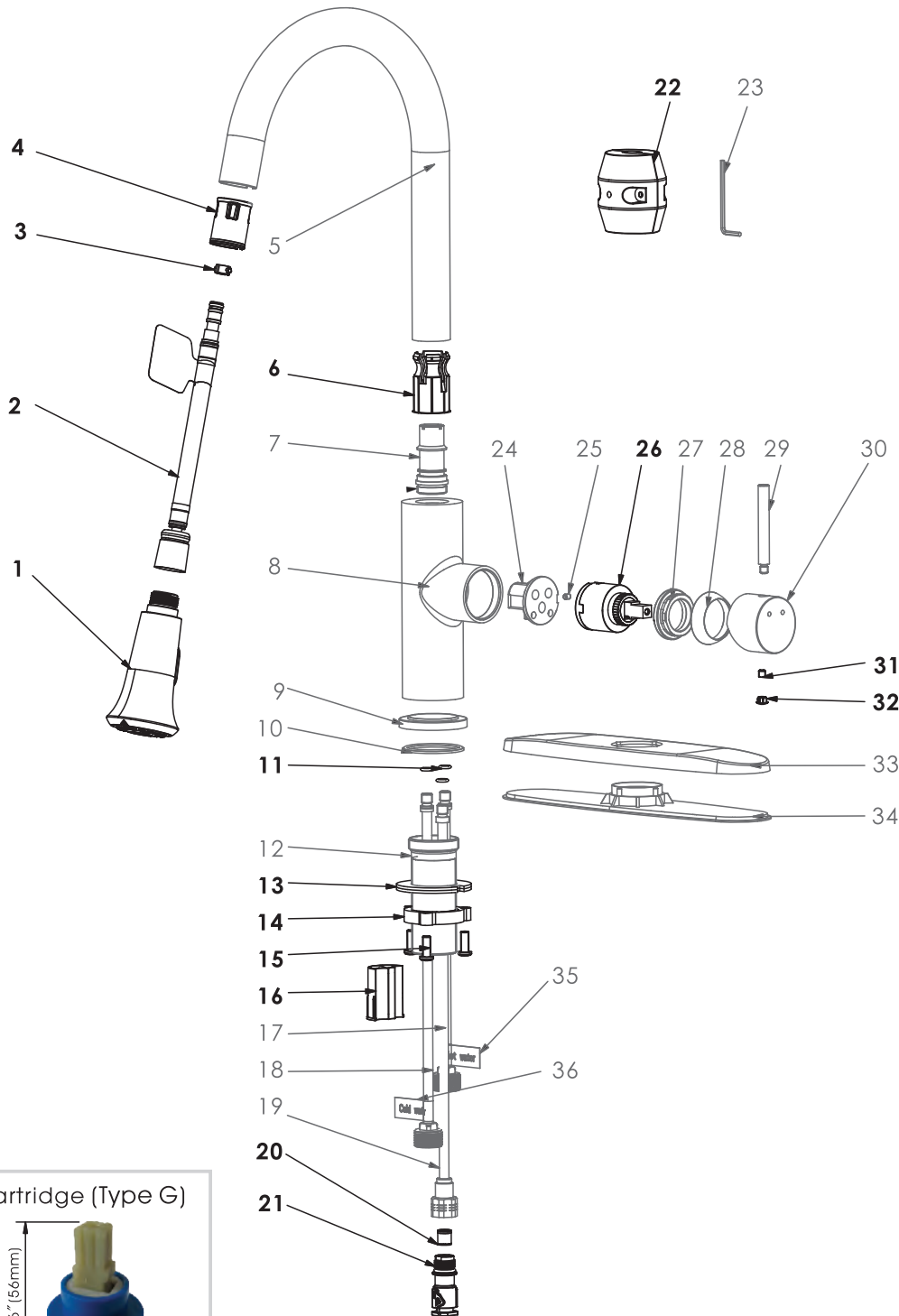


Single Handle Pull-Down Kitchen Faucet

- * 8-1/16" High and 9" Long Stainless Steel Spout, Zinc Handle, Zinc Body
- * Includes Removable Zinc Deck Plate for 1 or 3 Hole Installation
- * Copper Waterway Construction with 1/2" -14 NPSM Connection
- * Matching Plastic Two Function Pull-Down Sprayer (Spray & Stream)
- * 360° Swing Spout
- * Premium Grade Ceramic Cartridge (Type G)
- * Flow Rate: 1.8GPM (6.8L/MIN) MAX
- * 100% Pressure System Tested
- * Lifetime Limited Warranty

SKU # 8223410 (Matte Black, C5134MB)

Single Handle Pull-Down Kitchen Faucet



No.	Part Name
1	Spray Head
2	Pull-Down Hose
3	Clip
4	Sleeve
5	Spout
6	Sleeve
7	Swing Connector
8	Body
9	Base
10	Washer
11	O-ring
12	Shank
13	Washer
14	Lock Nut
15	Screw
16	Sleeve
17	Copper Tube
18	Copper Tube
19	Copper Tube
20	Check Valve
21	Quick Connect
22	Weight
23	Allen Wrench
24	Cartridge Seat
25	Screw
26	Cartridge
27	Lock Nut
28	Trim Cap
29	Handle Rod
30	Handle Cover
31	Screw
32	Button
33	Deck Plate
34	Gasket
35	Hot Water Label
36	Cold Water Label

Cartridge (Type G)


 Tech Support Toll Free: 1 - 800 - 626 - 3525
 Warranty Question: warranty@cmiproduct.com
 Hour of Operation: Mon ~ Fri 8:30am ~ 5:00pm. EST

 Parts available for replacement are in **BOLD**.