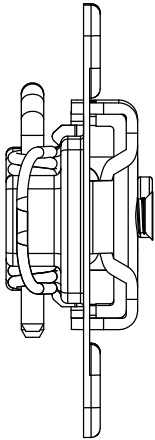
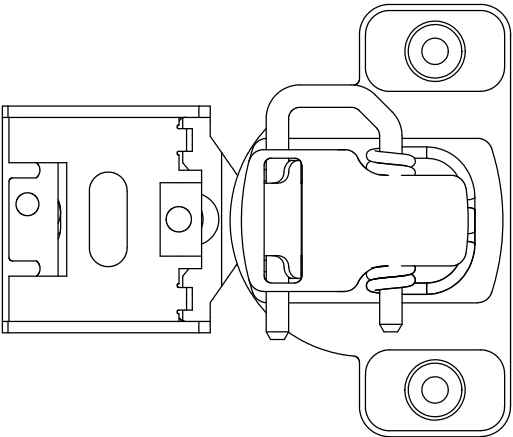
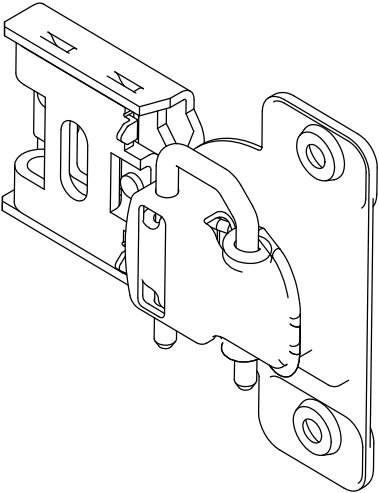
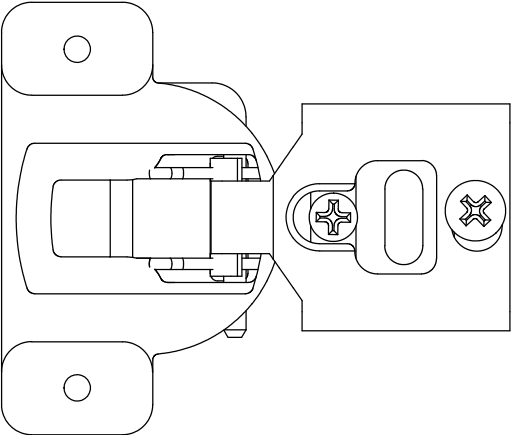
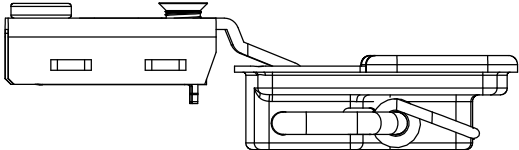


Drawn by: Udhay.N	Scale: 2:1	Date: 09/15/05	HARDWARE RESOURCES
<p style="text-align: center;">TOLERANCES</p> <p style="text-align: center;">UNLESS OTHERWISE SPECIFIED TOLERANCES ARE IN METRIC</p> <p>OVER ALL LENGTH $\pm 0.1\text{MM}$ ANGLES $\pm 0^\circ 30'$</p>			4319 MARLENA ST, BOSSIER CITY, LA71111
			PART NAME: NEW HINGE
			MATERIAL:
			ITEM NO:
			PLATING:

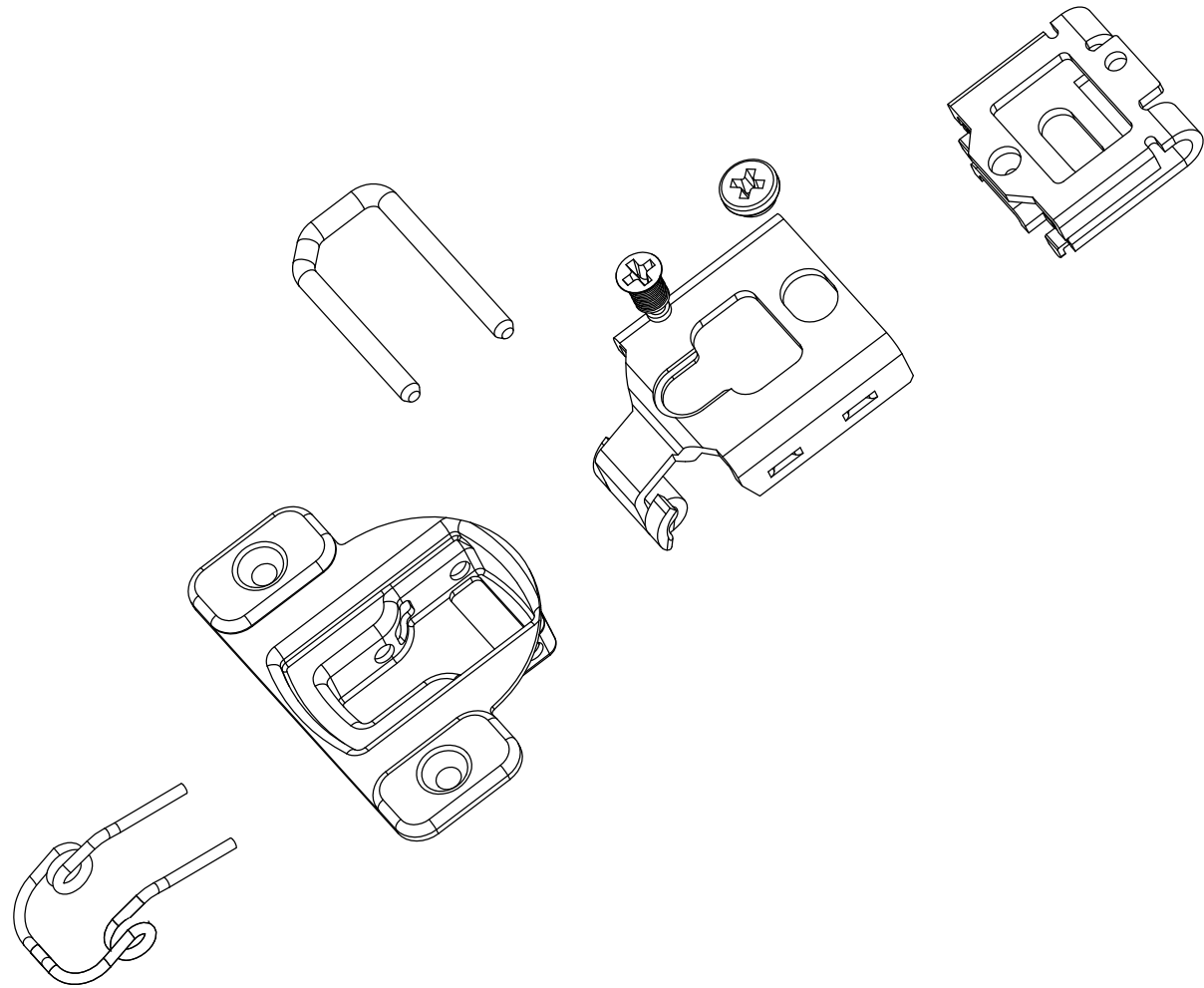
* - Critical Dimensions

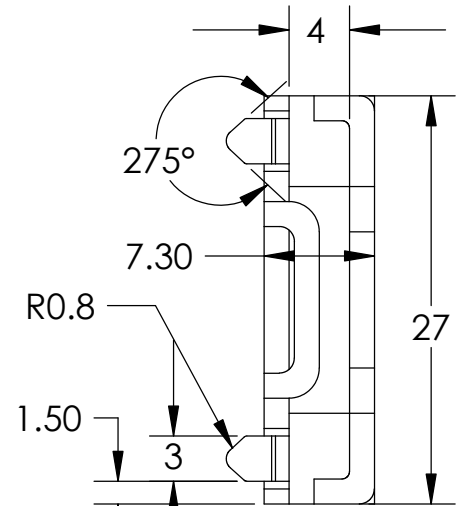
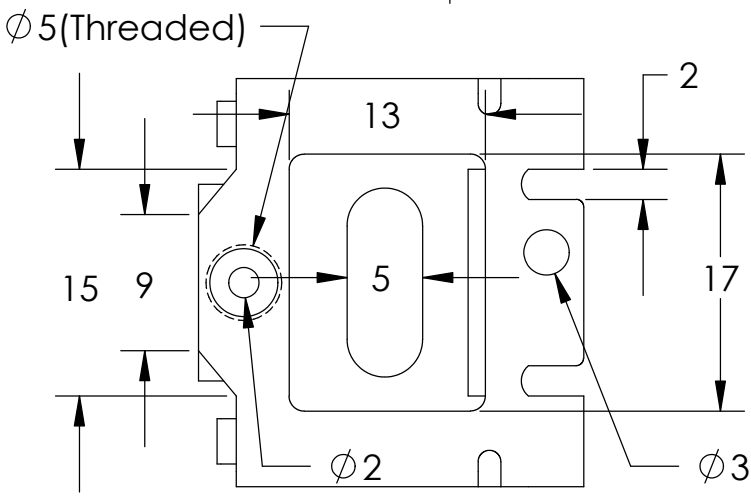
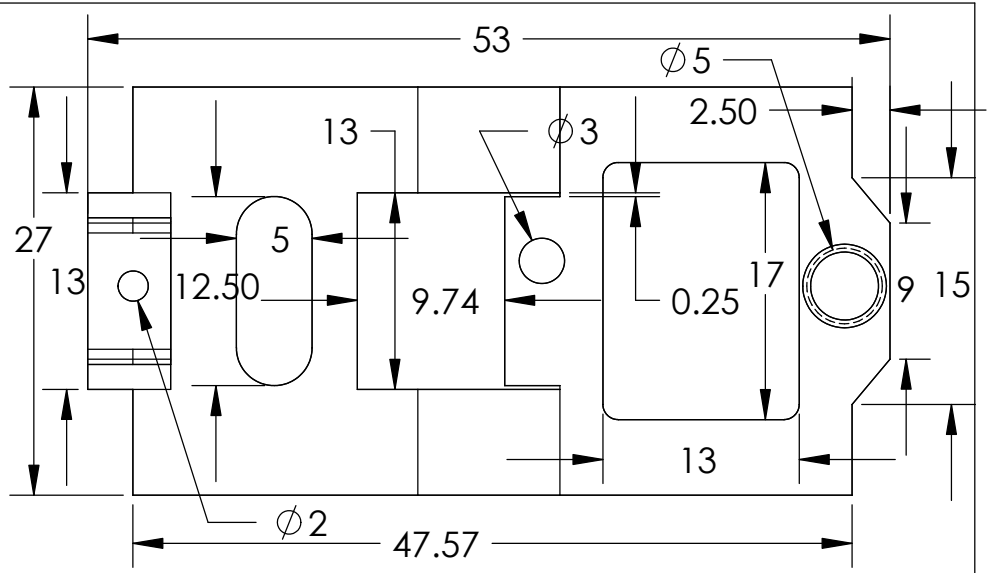
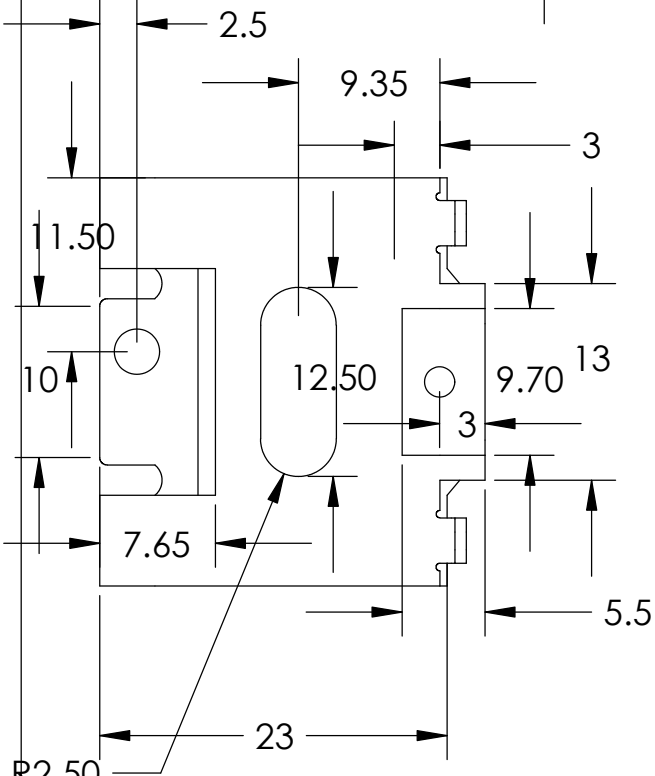
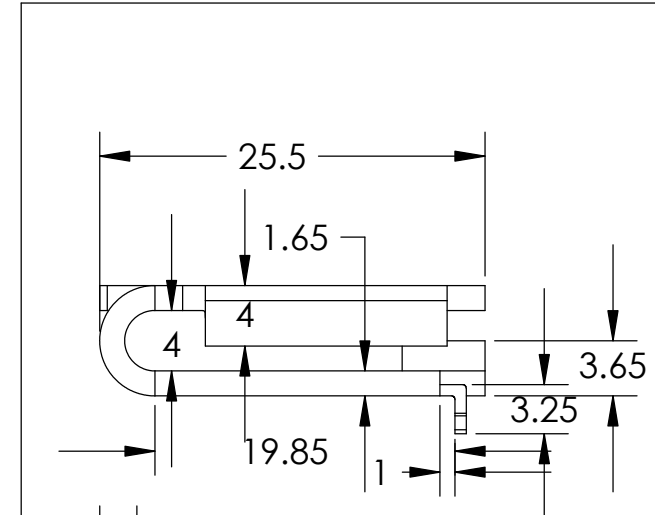
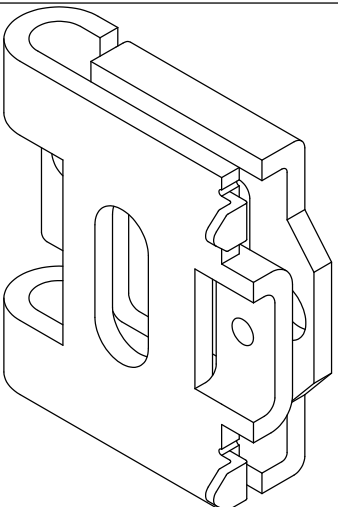
Sheet 1/3

All Views



Exploded View





Drawn by: Udhay.N	Scale: 1:1	Date:
----------------------	---------------	-------

HARDWARE RESOURCES 4319 MARLENA ST, BOSSIER CITY, LA71111
--

TOLERANCES

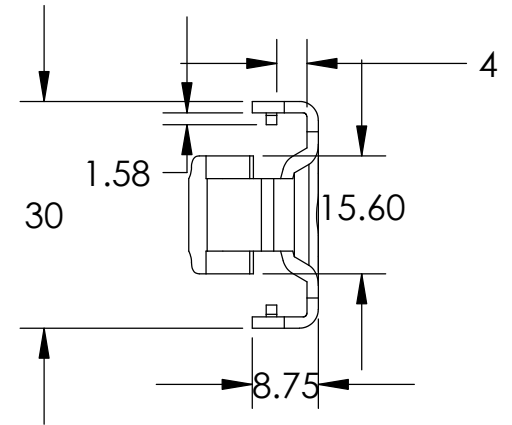
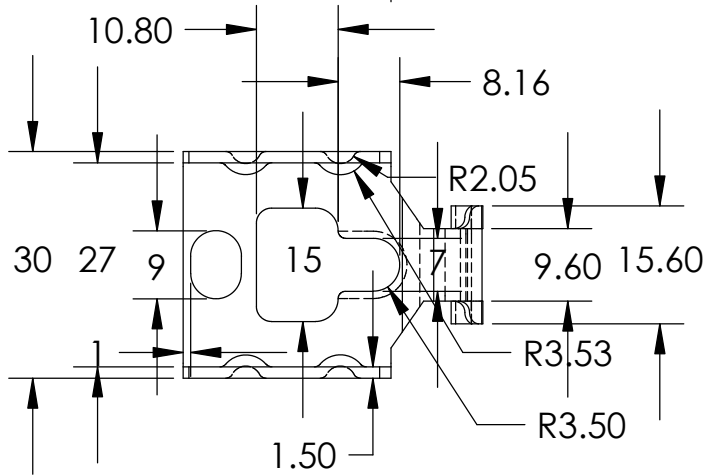
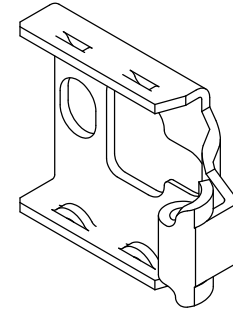
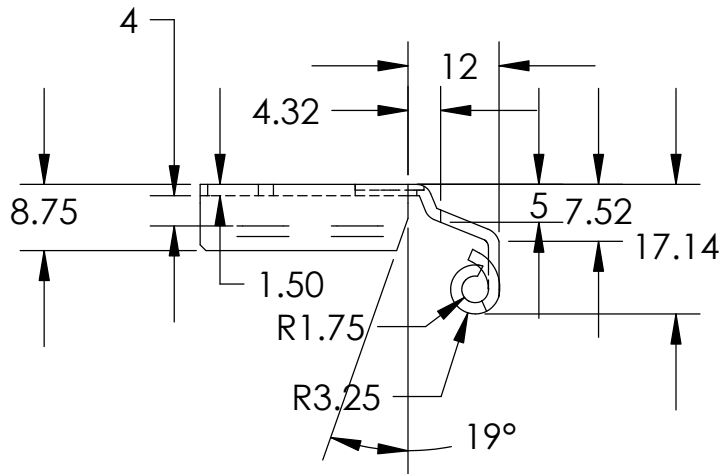
UNLESS OTHERWISE SPECIFIED
TOLERANCES ARE IN METRIC

OVER ALL LENGTH $\pm 0.1\text{MM}$
ANGLES $\pm 0^\circ 30'$

PART NAME:
MATERIAL:
ITEM NO:
PLATING:

* - Critical Dimensions

Sheet 1/1



Drawn by: Udhay.N	Scale: 1:1	Date: 09/15/05
----------------------	---------------	-------------------

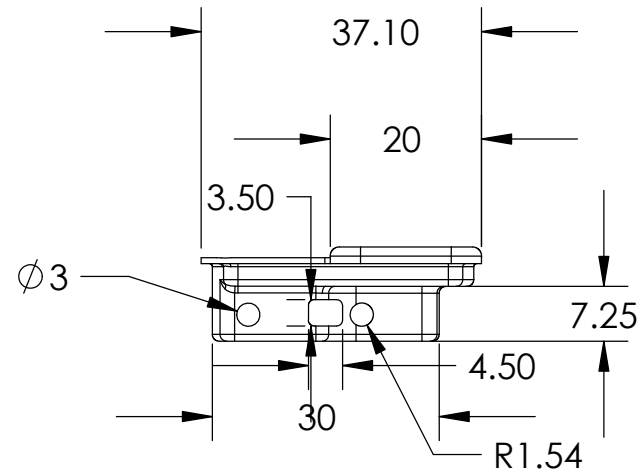
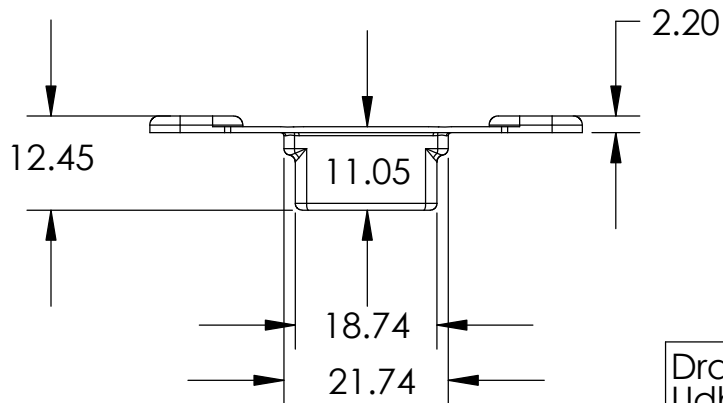
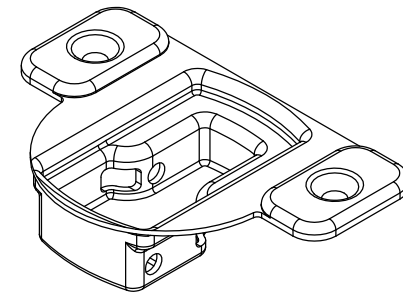
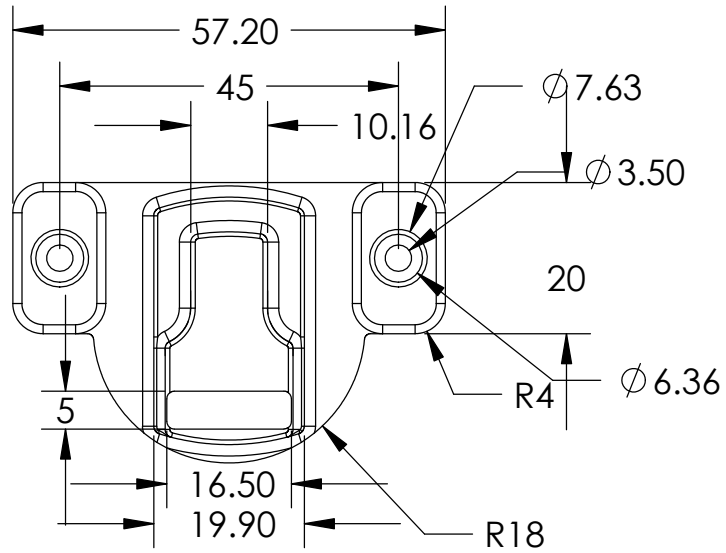
HARDWARE RESOURCES	
4319 MARLENA ST, BOSSIER CITY, LA71111	
PART NAME:	
MATERIAL:	
ITEM NO:	
PLATING:	

TOLERANCES
UNLESS OTHERWISE SPECIFIED
TOLERANCES ARE IN METRIC

OVER ALL LENGTH	±0.1MM
ANGLES	±0° 30'

* - Critical Dimensions

Sheet 3/3



Drawn by: Udhay.N	Scale: 1:1	Date:	HARDWARE RESOURCES
<p style="text-align: center;">TOLERANCES</p> <p style="text-align: center;">UNLESS OTHERWISE SPECIFIED TOLERANCES ARE IN METRIC</p> <p style="text-align: center;">OVER ALL LENGTH $\pm 0.1\text{MM}$ ANGLES $\pm 0^\circ 30'$</p>			4319 MARLENA ST, BOSSIER CITY, LA71111
			PART NAME:
			MATERIAL:
			ITEM NO:
			PLATING:

* - Critical Dimensions

Sheet 1/1