

TG-135B Airbrush Parts List

Specifications

Nozzle Diameter: 0.4-0.5mm
Fluid Cup Capacity: 2cc

Applications:

Commercial arts, illustrations, photo retouching,
hobby and crafts

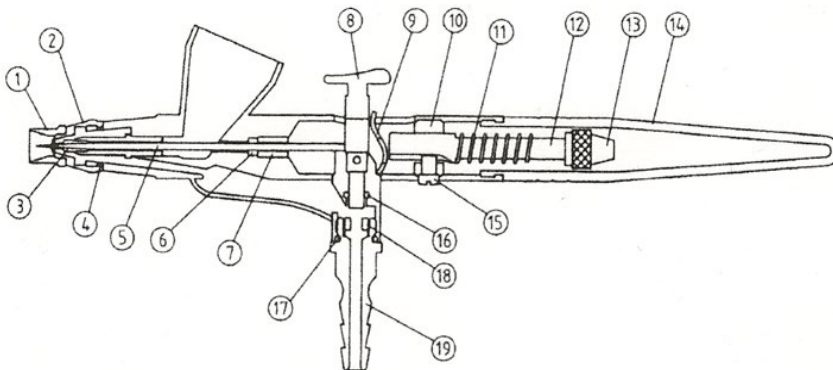
How To Spray:

1. Fill fluid in the cup after thinning appropriately.
2. Hold the airbrush lightly in your hand.
3. By pressing the main lever, a stream of air emerges. Draw it backward gradually for color atomization.
4. The spray pattern is in accordance with the distance between the work surface and the airbrush.
5. For fine line spray, remove the needle cover and hold the airbrush near the work surface.

Maintenance:

1. Empty the fluid cup and wash with water or solvent by a brush.
2. Refill cup with water or solvent, then block the needle cover with a finger and spray. The air flows backwards into the nozzle to clean the remaining paint in the airbrush.

Airbrush Mechanism



Parts List

1. Needle Cap
2. Nozzle Cap
3. Nozzle
4. O-ring for nozzle cap
5. Needle
6. O-ring for Needle Guide
7. Needle Guide
8. Operation Lever
9. Lever Guide
10. Stopper
11. Spring
12. Needle Chucking Guide
13. Needle Chucking Nut
14. Standard-Handle Adjuster
15. Guide Screw
16. Lever Guide O-ring
17. Valve O-ring
18. Valve Screw
19. Hose Connector

Parts Details

