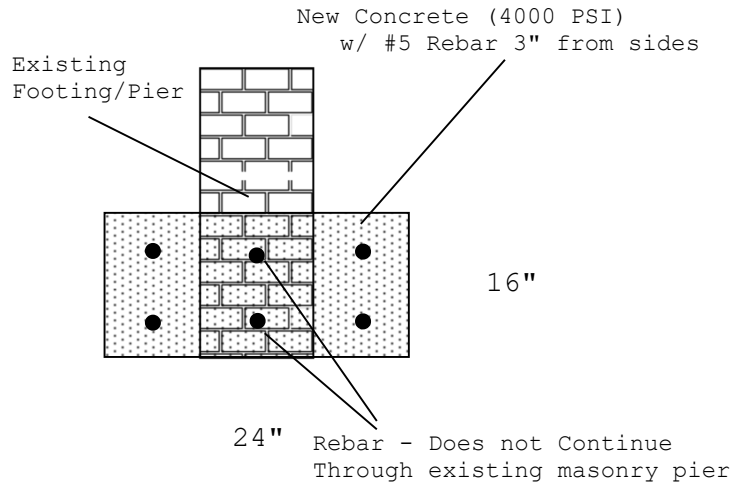
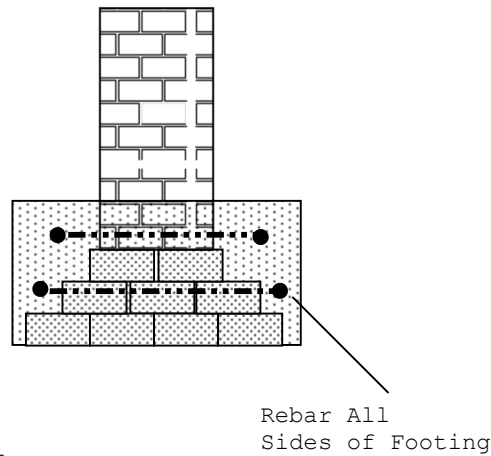


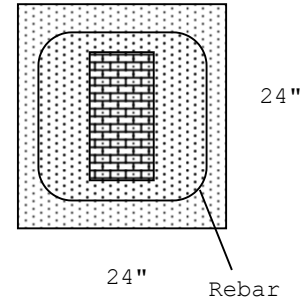
Cross-Cut
Continuous Footing
Front View



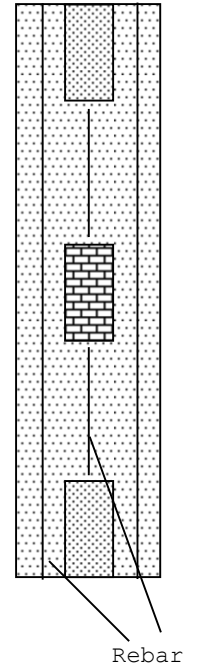
Cross-Cut
Single Jacketed
Existing Footing
Side View



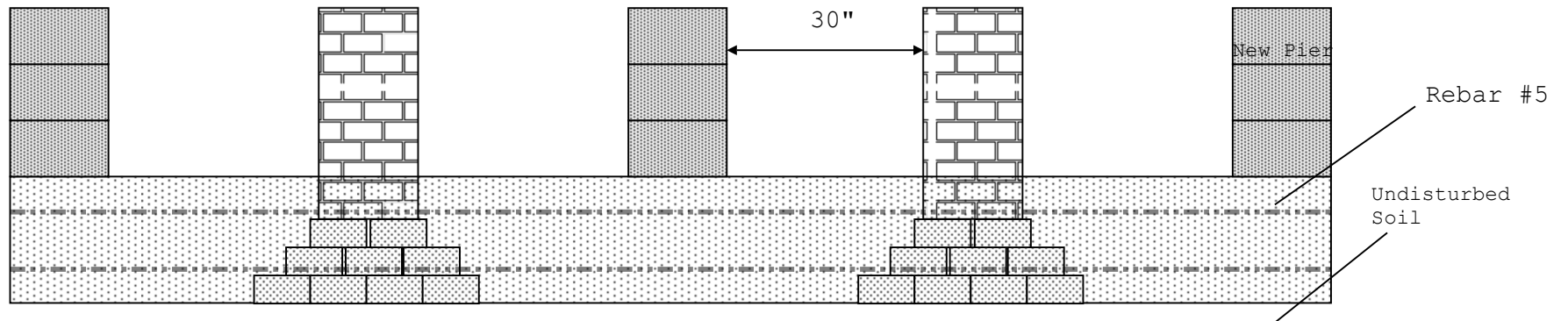
Single Exist.
Jacketed
Top View



Continuous
Top View



Continuous Footing w Existing Footing Jacketed
Side View



Site: 9910 Administration Sq.

Drawing:
801506

Project:
0000416

Drawn:
Name

Notes:

Acme Builders Corp
1234 Oak Road
Yorktown, NY 10598

Title:
1st Floor Office Remodel

Scale:
1/2":1'0"

Date:
01/30/2017

Rev:
A