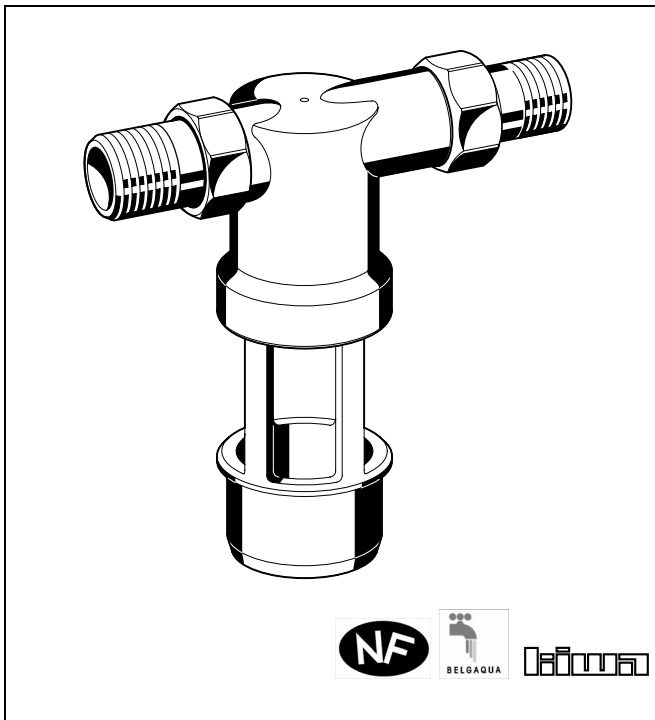


## CA295

### Backflow preventer Compact construction with threaded connectors

#### Product specification sheet



#### Application

Backflow preventers are suitable for the protection of drinking-water systems against back pressure, back flow and back syphonage. Fluids up to and including liquid category 3 to EN 1717 are protected.

#### Special Features

- Integral strainer
- Compact construction
- Easy access to all internal components
- Low pressure loss and high flow performance
- Triple security - two check valves and a discharge valve separate the backflow preventer into three pressure zones
- Meets KTW recommendations for potable water

#### Range of Application

Medium	Water
Maximum inlet pressure	max. 10.0 bar
Minimum inlet pressure	1.5 bar

#### Technical Data

Installation position	Horizontal with discharge valve downwards
Operating temperature	up to 65 °C
Discharge pipe connection	HT 40
Approvals	KIWA-UK KIWA BELGAQUA NF (DN15) tested according to prEN 14367 (DN15)
Noise class 1	DN15
Noise class 2	DN20

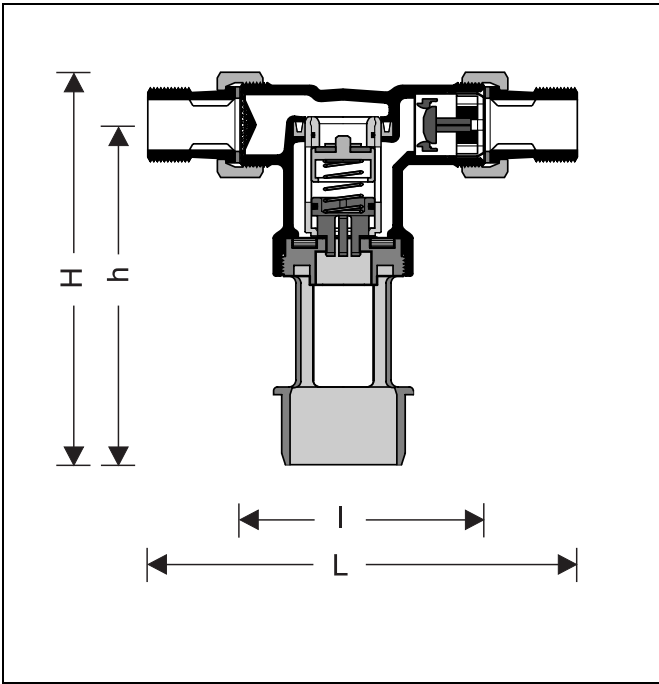
#### Construction

The backflow preventer consists of:

- Housing
- Integral strainer
- Valve cartridge
- Outlet check valve
- Connection fittings
- Discharge connection

#### Materials

- Dezincification resistant brass housing
- High-quality synthetic material valve cartridge
- High-quality synthetic material check valves
- NBR and EPDM seals
- High-quality synthetic material discharge connection



**Method of Operation**

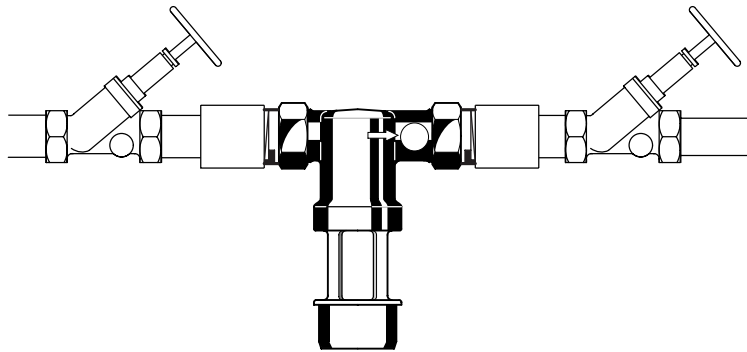
Backflow preventers are divided into three zones - inlet-, middle- and outlet zone.

When the differential pressure between inlet zone and middle zone drops below under 10 % of inlet pressure the backflow preventer discharges by venting the middle zone to atmosphere. There is no possibility to control the safety arrangement by measuring.

**Options**

CA295 -  $\overset{\text{A=}}{\underset{\text{Connection size}}{\text{---}}}$  Standard version with threaded connections in sizes R<sup>1/2"</sup> and R<sup>3/4"</sup>

Connection size	R	1/2"	3/4"
Weight	ca. g	510	700
Dimensions	mm		
	L	145	155
	l	84	87
	H	138	142
h	121	121	
Peak flow rate at $\Delta p=1.0$ bar	in m <sup>3</sup> /h	0.7	0.7

**Installation Example****Installation Guidelines**

- Install shutoff valves before and after backflow preventer
- Install in horizontal pipework with the discharge valve downwards
- Ensure good access
  - Simplifies maintenance and inspection
- Backflow preventers of this type have an integral strainer which protects the device from the ingress of dirt
  - This protects the appliance against dirt
- Do not install in places where flooding can occur
- The installation environment should be protected against frost and ventilated well
- Install discharge pipework which has adequate capacity

**Typical Applications**

Backflow preventers are ideally suited for industrial and commercial applications.

However they can also be used for supplies to residential buildings within the scope of their specification.

The following are some typical applications:

- Cleaning appliances in hairdresser's shops
- Soda machines
- Cleaning appliances for beverage lines in public houses
- Cooling system in X-ray equipments for radiography
- Tube-sprinkler in the kitchen, domestic area
- Heating filling systems, without inhibitors

**Automation and Control Solutions**

Honeywell GmbH  
Hardhofweg  
D-74821 Mosbach  
Phone: (49) 6261 810  
Fax: (49) 6261 81309  
<http://europe.hbc.honeywell.com>  
[www.honeywell.com](http://www.honeywell.com)

Manufactured for and on behalf of the  
Environmental and Combustion Controls Division  
of Honeywell Technologies Sàrl, Rolle, Z.A. La  
Pièce 16, Switzerland by its Authorised Repre-  
sentative Honeywell GmbH

EN0H-1225GE23 R0609  
Subject to change without notice  
© 2009 Honeywell GmbH

**Honeywell**