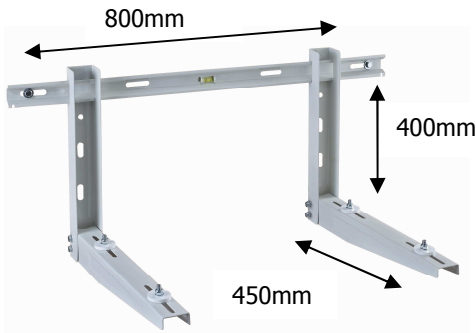


TECHNICAL DATA SHEET

ADJUSTABLE WALL BRACKETS D450xH400XL800mm

DESCRIPTION



CODE: **S-281P**
DIMENSION: **450X400X800mm**
THICKNESS: **15/10**
LOAD CAPACITY: **160 Kg certified by**



RAW MATERIAL

GALVANIZED STEEL: DX51 + Z140 -th. 15/10

VARNISHING

Varnished with polyester powder RAL9002 with thickness 70 μ min-120 μ max

ACCESSORIES

SOFT dampers made of rubber-loaded polypropylene

Brackets assembling KIT:

2 x SCREWS M8x65 8.8 DIN 931 UNI 5737 W.Z.
2 x AUTO BLOCK NUTS M8 CR DIN 985

Condensing unit fixing KIT:

4 x HEX HEAD BOLT DIN 558 M8X30 W.Z.
4 x AUTO BLOCK NUTS M8 DIN 985
4 x WASHERS 8.4x16x1.6 UNI6592

Wall fixings:

4 x WASHERS DIN 9021 8x20x 2
4 x HEX HEAD WOOD SCREW DIN 571 M8x70 W.Z.
4 x PLUGS 10x56