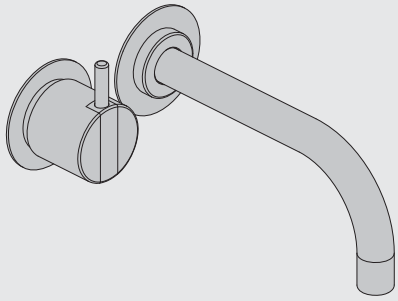


VOLA 100, 100X, 200M, 200, 200V, 300
 VOLA 400DV, 400, 400V, 400N, 400NV, 400T
 VOLA 400TV, 400F, 400FV, 400R, 400RV
 VOLA 2100, 2100X, 2200, 2200V, 2300, 2400
 VOLA 2400V, 2400N, 2400NV, 2400T, 2400TV
 VOLA 2400F, 2400FV, 2400R, 2400RV



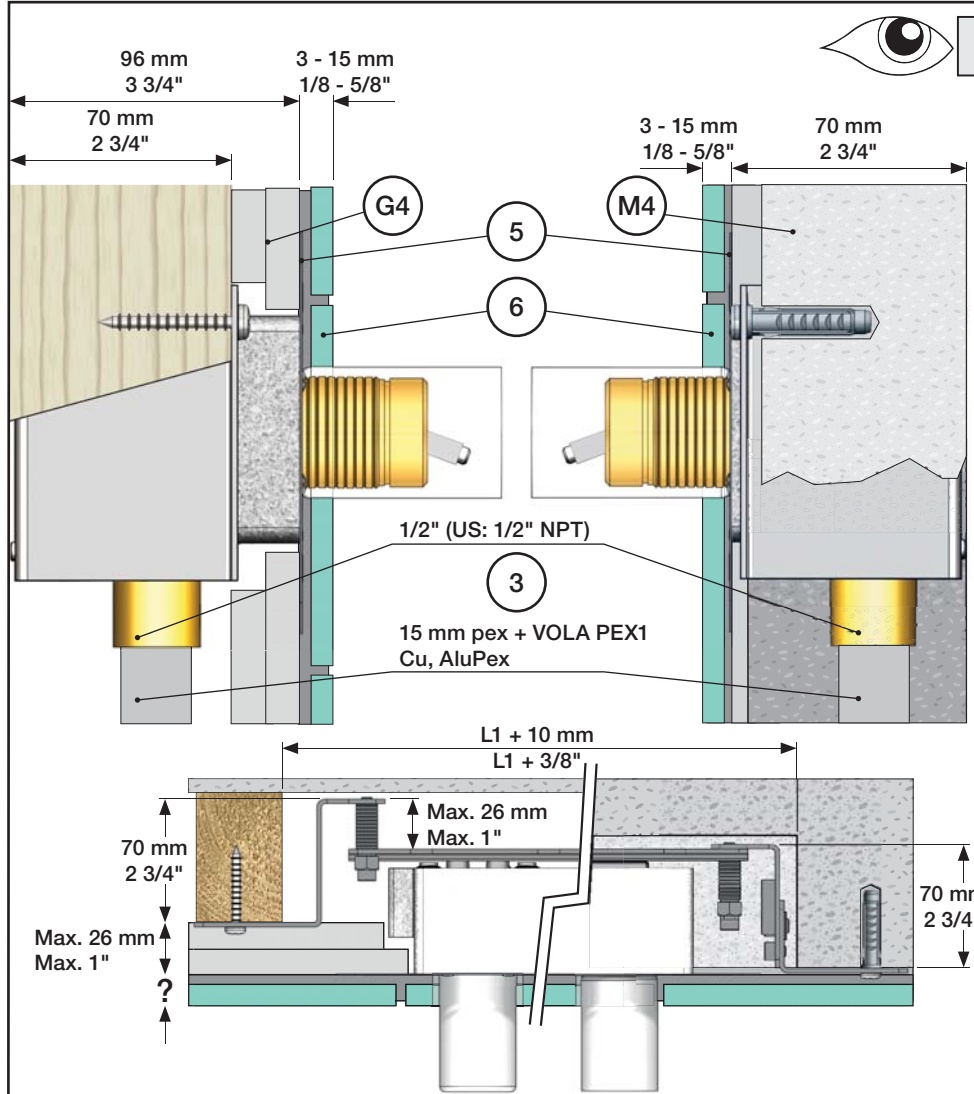
Fitting instruction
 Montageanleitung
 Monteringsvejledning

Monteringsvægledning
 Montage hanledning
 Manuel de montage



VA 1.42/18612, VA 1.42/18613, VA 1.42/18614,
 VA 1.42/18615, VA 1.42/18616, VA 1.42/18617

www.vola.com



Data, 3 Bar:

	l/min.	Gal./min.
100:	18,3	4.8
400V:	15,6	4.1
2100:	25,2	6.7
2400V:	22,2	5.9

Max. 65°C, 150°F

Max.: 10 Bar/145 psi

Recommended operating pressure:
 Empfohlener Betriebsdruck:
 Anbefalet driftstryk:
 Rekommenderat arbetstryck:
 Aanbevolen werkdruk:
 Pression de fonctionnement recommandée:

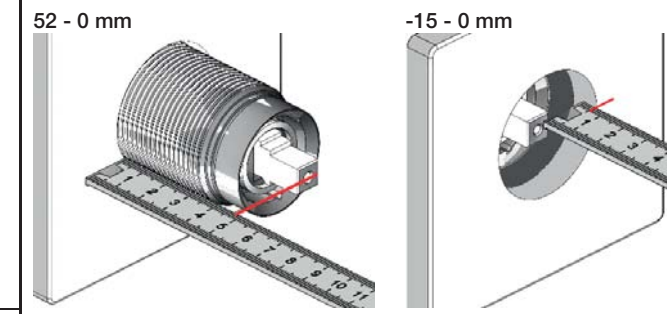
2 - 5 Bar
 29 - 72.5 psi

Extension Verlängerung Forlængerdele Förlängning Verlangstücken Modification

	100/200/300/400	VR1254	VR1400	VR2019
3 - 15 mm	Std.	Std.	Std.	Std.
15 - 25 mm	+10	+10	+10	+10
25 - 35 mm	+20	+20	+20	+20
35 - 45 mm	+30	+30	+30	+30
45 - 55 mm	+40	+40	+40	+40
55 - 65 mm	+50	+50	+50	+50

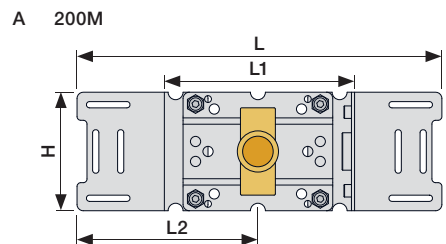
	2100/2200/2300/2400	VR2250	VR1400	VR2019
3 - 15 mm	Std.	Std.	Std.	Std.
15 - 25 mm	+10	+10	+10	+10
25 - 35 mm	+20	+20	+20	+20
35 - 45 mm	+30	+30	+30	+30
45 - 55 mm	+40	+40	+40	+40
55 - 65 mm	+50	+50	+50	+50

Extension, retrofit
 Verlängerung, nachträglicher Einbau
 Forlængerdele, eftermontering
 Förlängning, eftermontering
 Aanpassing na montage
 Modification après installation



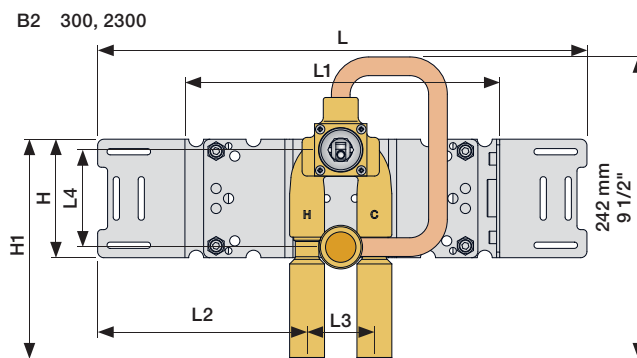
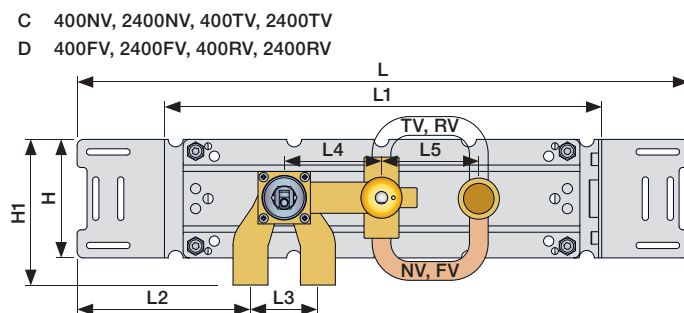
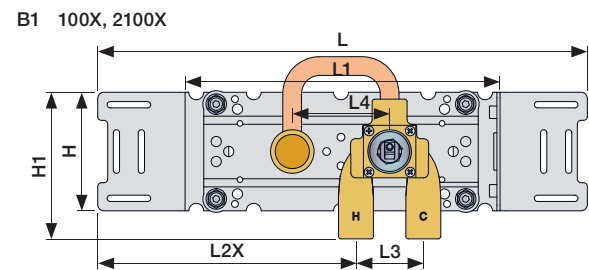
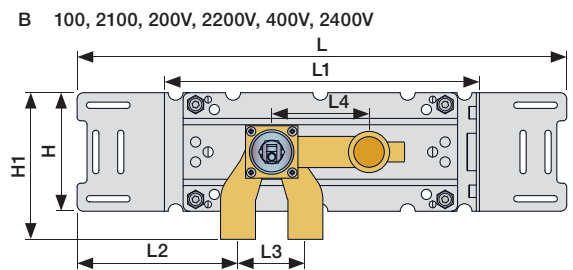
	100/200/300/400	VR1254	VR1400	VR2019
40 - 52 mm	Std.	Std.	Std.	Std.
30 - 40 mm	+10	+10	+10	+10
20 - 30 mm	+20	+20	+20	+20
10 - 15 mm	+30	+30	+30	+30
0 - 10 mm	+40	+40	+40	+40
-10 - 0 mm	+50	+50	+50	+50

	2100/2200/2300/2400	VR2250	VR1400	VR2019
35 - 47 mm	Std.	Std.	Std.	Std.
25 - 35 mm	+10	+10	+10	+10
15 - 25 mm	+20	+20	+20	+20
5 - 15 mm	+30	+30	+30	+30
-5 - 5 mm	+40	+40	+40	+40
-15 - -5 mm	+50	+50	+50	+50



200: 200V + 200M
 400: 400V + 2 x 200M
 2400: 2400V + 2 x 200M
 400N: 400NV + 200M
 2400N: 2400NV + 200M
 400T: 400TV + 200M
 2400T: 2400TV + 200M
 400F: 400FV + 200M
 2400F: 2400FV + 200M
 400R: 400RV + 200M
 2400R: 2400RV + 200M

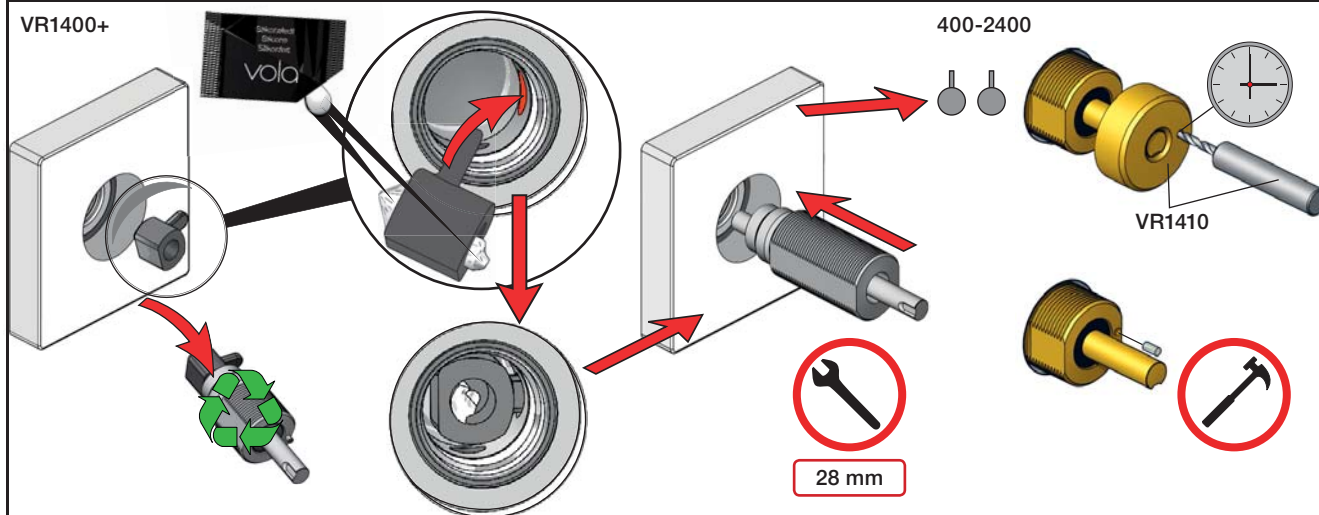
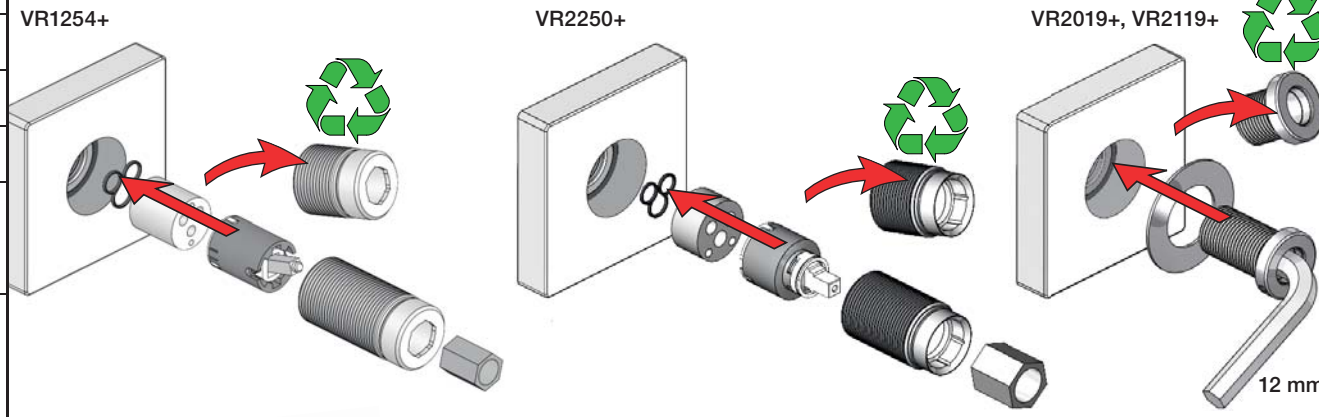
	L	L1	L2	L3	L4	L5	H	H1
A	295 mm 11 1/2"	160 mm 6 1/2"	145 mm 5 3/4"	-	-	-	95 mm 3 3/4"	-
B			129 mm 5"					120 mm 4 3/4"
B1	395 mm 15 1/2"	260 mm 10"	207 mm 8 1/8"					175 mm 6 7/8"
B2			168 mm 6 5/8"	54 mm 2 1/8"	78 mm 3 1/16"		78 mm 3 1/16"	120 mm 4 3/4"
C	490 mm 19 1/2"	355 mm 14"	139 mm 5 1/2"				156 mm 6 1/8"	
D	570 mm 23"	435 mm 17"						



Fitting of extension
 Montage von verlängerung

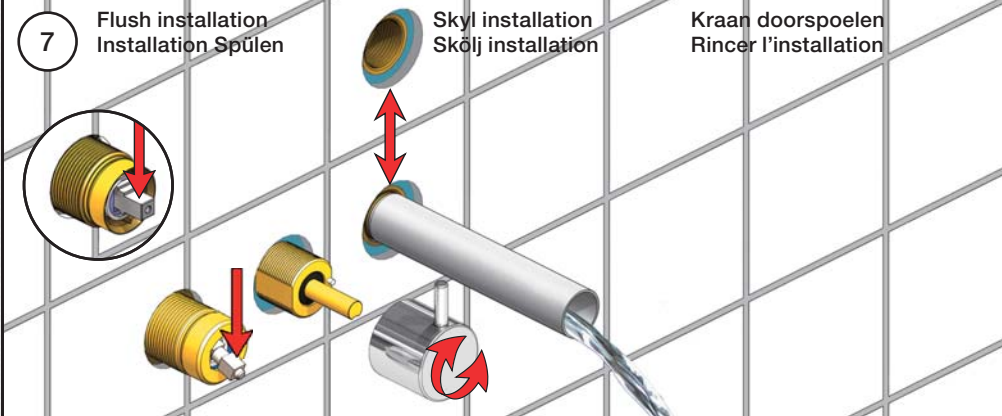
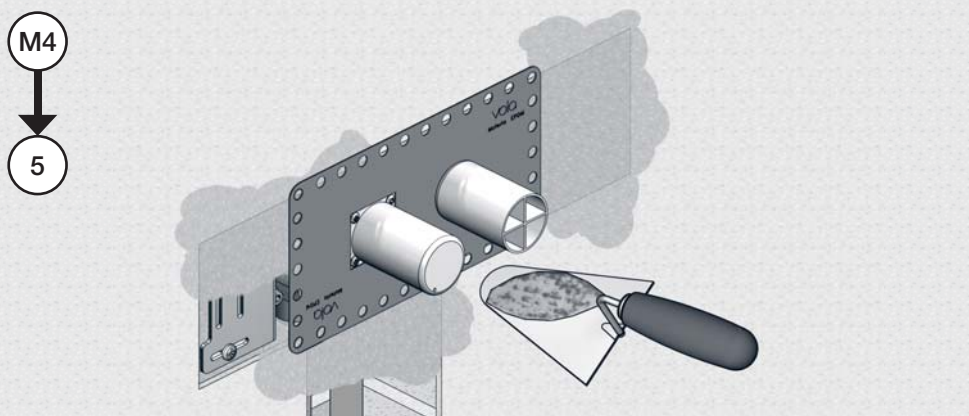
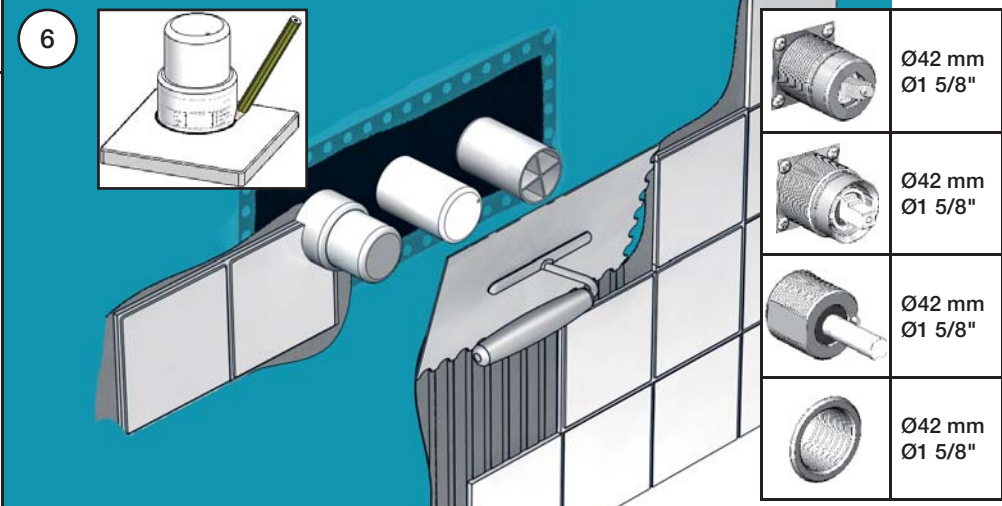
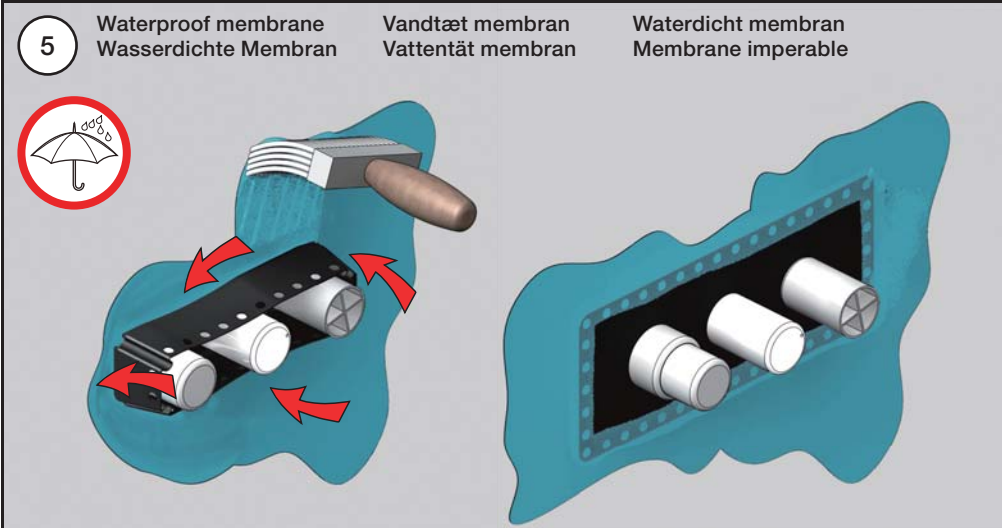
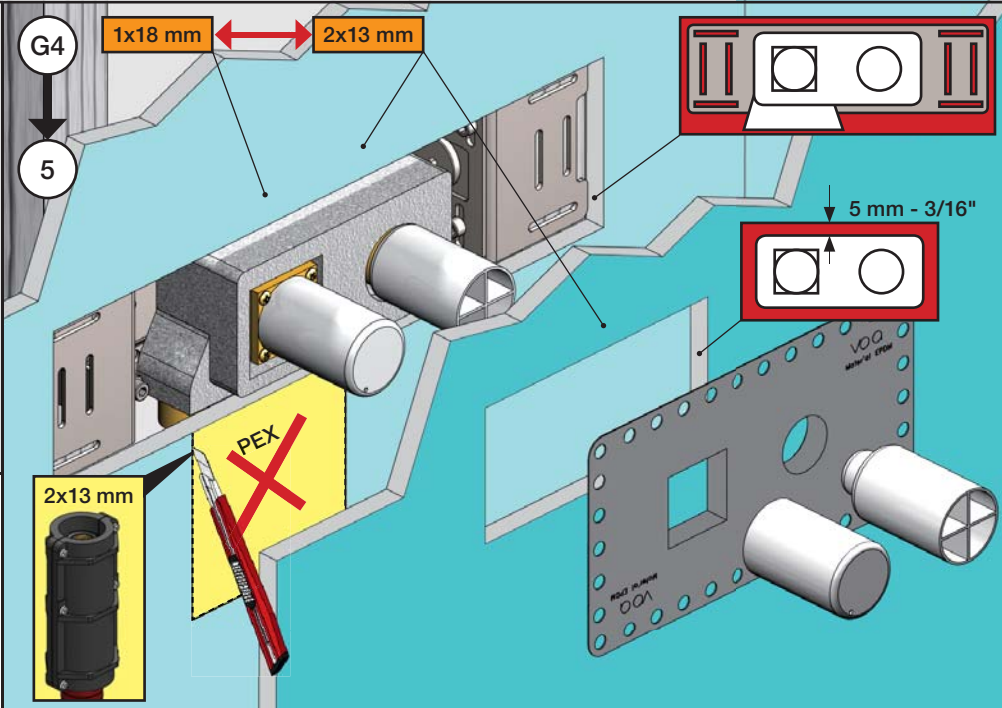
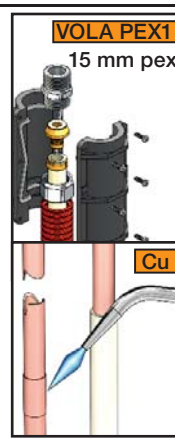
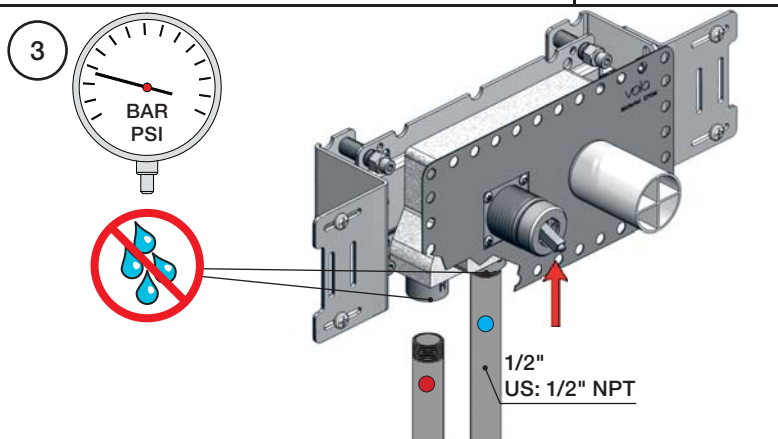
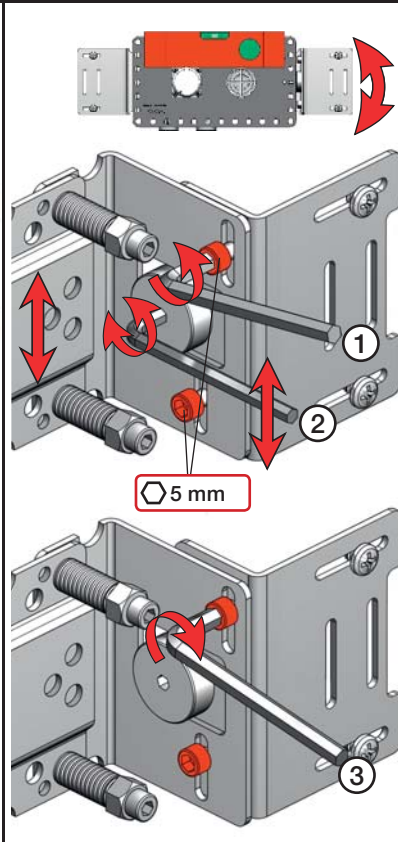
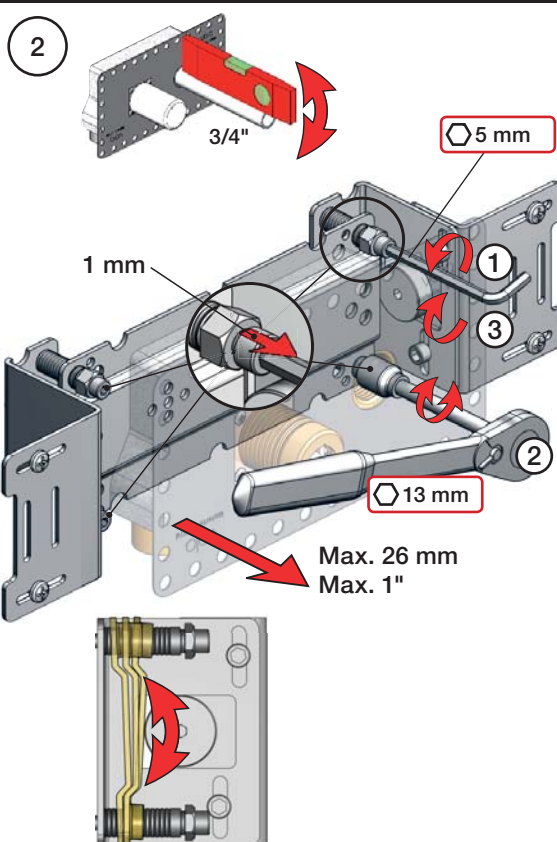
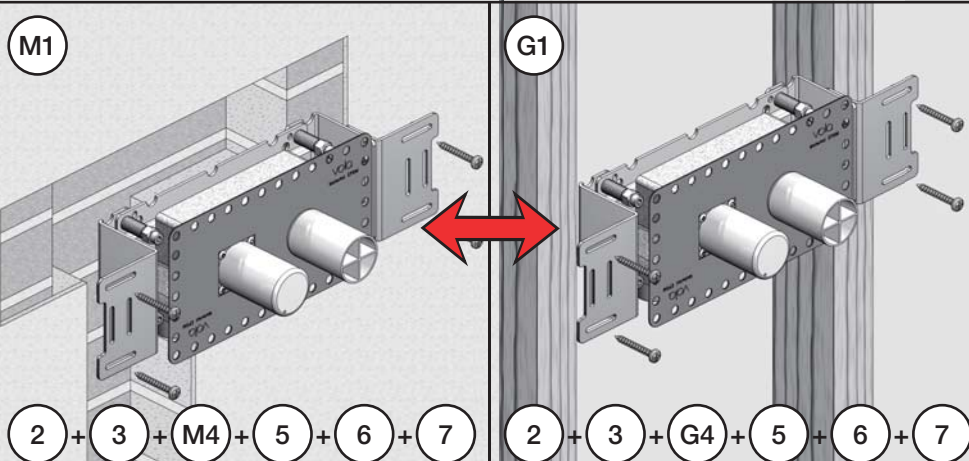
Montering af forlængerdele
 Montering av förlängning

Montage van de verlengstukken
 Montage des rallonges



100-2100_V3_40999996

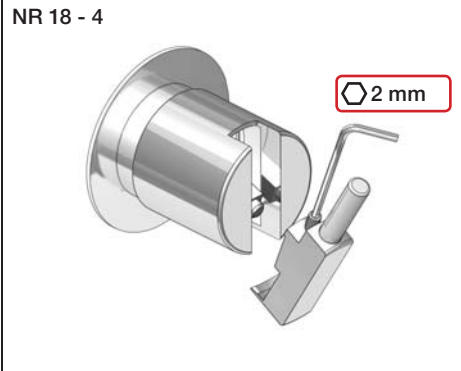




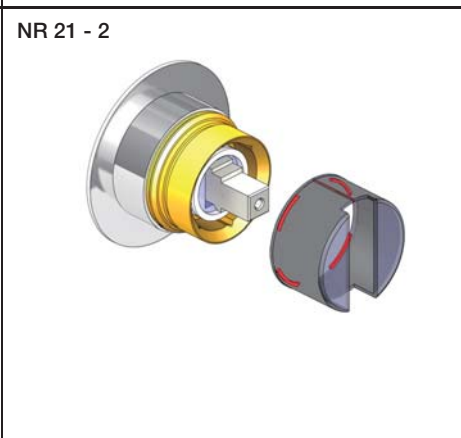
Handle assembly
Montage vom Griffe
Montage af greb
Montering av grepp
Installatie van de grip
l'installation de poignées

		A
VR3279	16 mm	31 - 36 mm
VR3279B	12 mm	27 - 32 mm
VR3279C	8 mm	23 - 28 mm

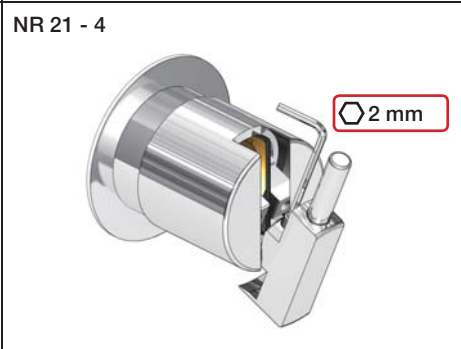
		A
VR2279	16 mm	30 - 34 mm
VR2279B	12 mm	26 - 30 mm
VR2279C	8 mm	22 - 26 mm



		A
VR2279	16 mm	30 - 34 mm
VR2279B	12 mm	26 - 30 mm
VR2279C	8 mm	22 - 26 mm



		A
VR2204	16 mm	31 - 36 mm
VR2204B	12 mm	27 - 32 mm
VR2204C	8 mm	23 - 28 mm



		A
VR2204	16 mm	31 - 36 mm
VR2204B	12 mm	27 - 32 mm
VR2204C	8 mm	23 - 28 mm

