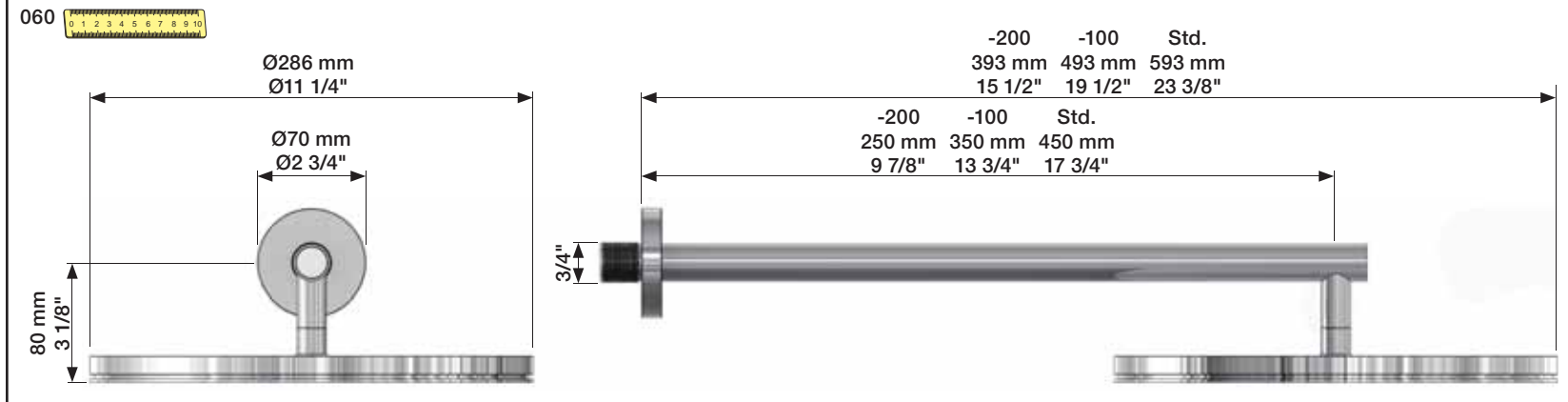


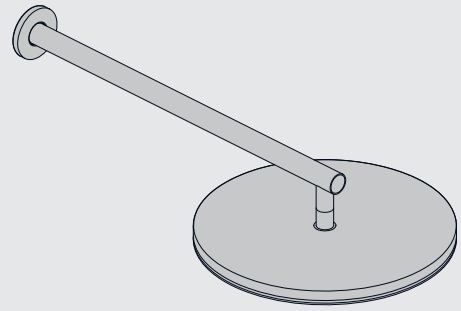
Fitting instruction  
 Montageanleitung  
 Monteringsvejledning  
 Monteringsvægledning  
 Montageanleitung  
 Manuel de montage

Data	Bar:	1	2	3	4	5
	(l/min)	12	18	22	25	29
	(Gal/min)	3.4	4.8	5.8	6.6	7.7
	Max. 65°C. 150°F					

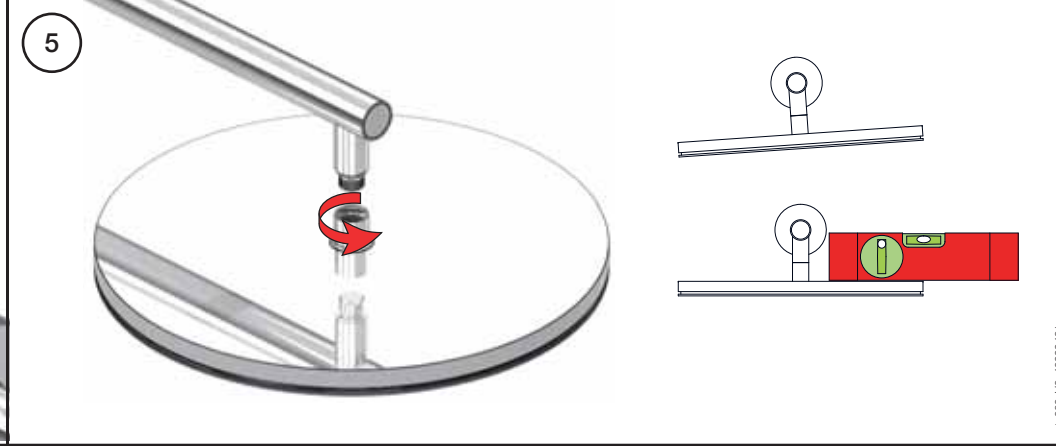
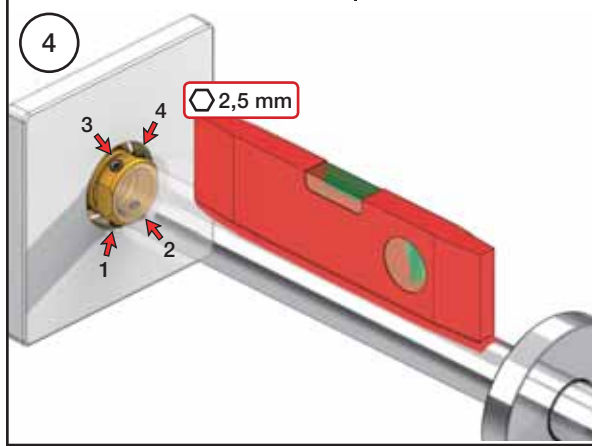
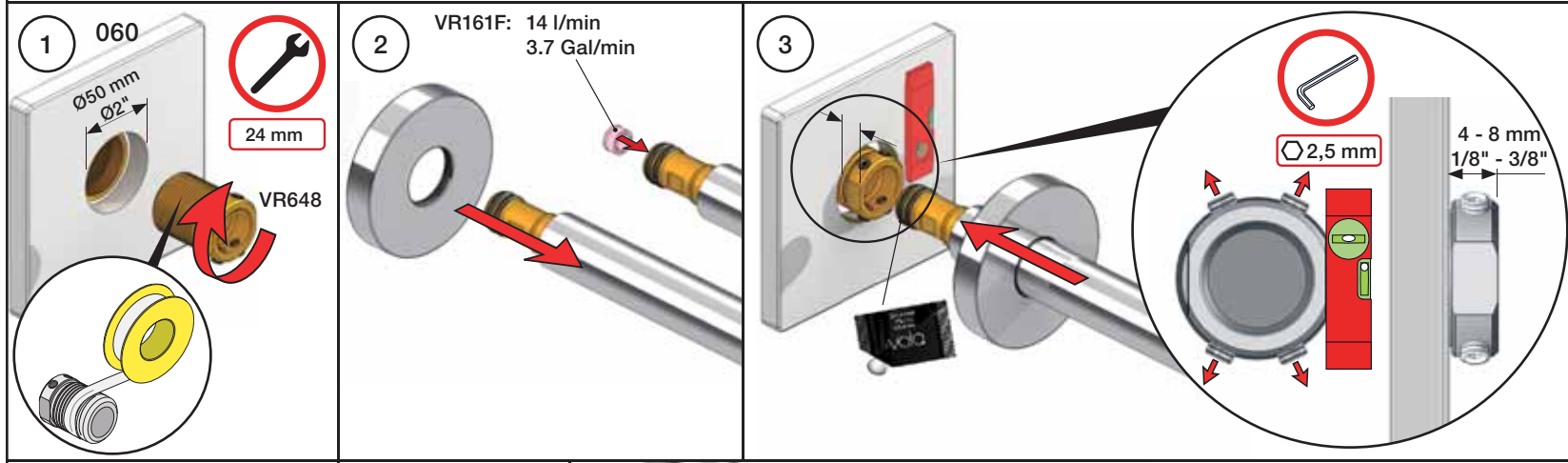
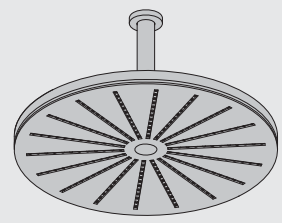
**VR161 - 060, 060A:**  
 VR161D: 9 l/min - 2.5 Gal/min (USA Standard)  
 VR161F: 14 l/min - 3.7 Gal/min

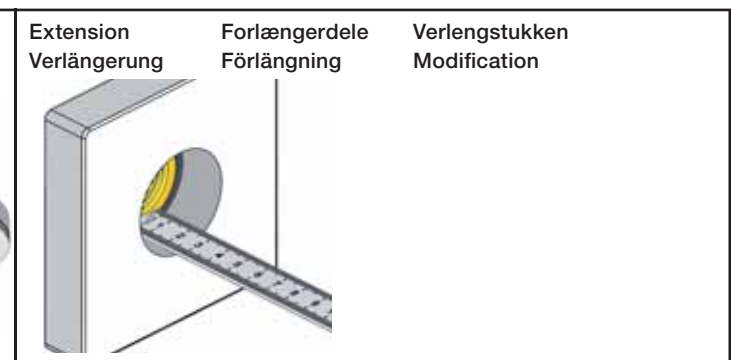
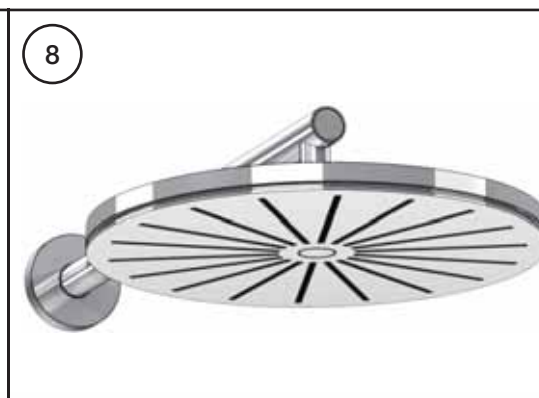
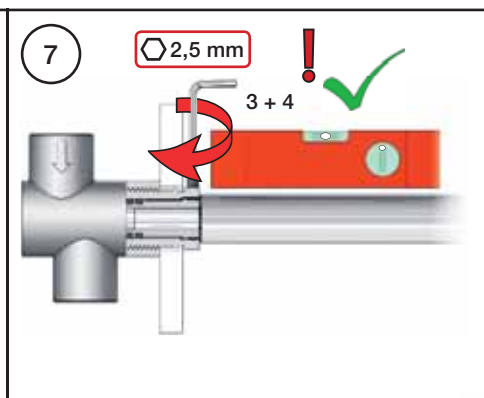
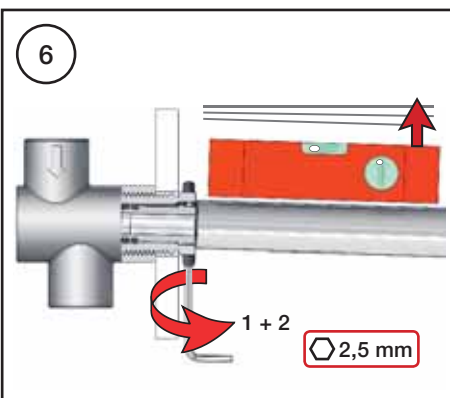


**060:**  
 1 - 8



**060A:**  
 9 - 11





	VR648:	VR2219:
Tile:	7 - 19 mm	Standard
Fliesen:	17 - 28 mm	VR648+10
Fliser:	27 - 38 mm	VR648+20
Tegels:	37 - 48 mm	VR648+30
Carreaux:	47 - 58 mm	VR648+40
	57 - 68 mm	VR648+50
		3 - 15 mm
		Standard
		15 - 25 mm
		VR2219+10
		25 - 35 mm
		VR2219+20
		35 - 45 mm
		VR2219+30
		45 - 55 mm
		VR2219+40
		55 - 65 mm
		VR2219+50

