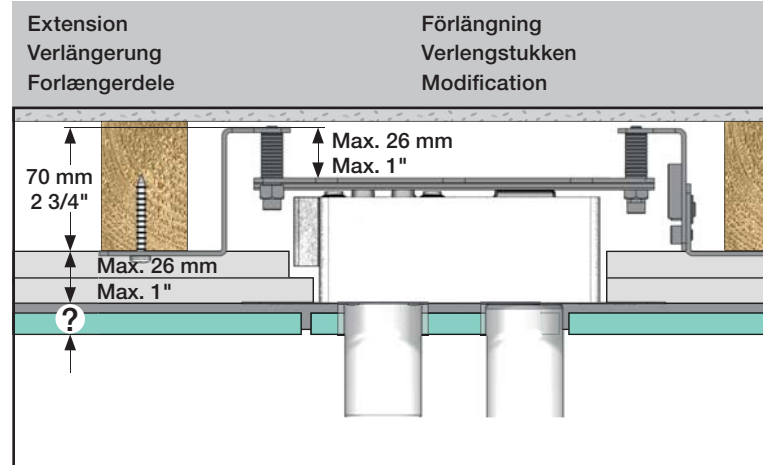
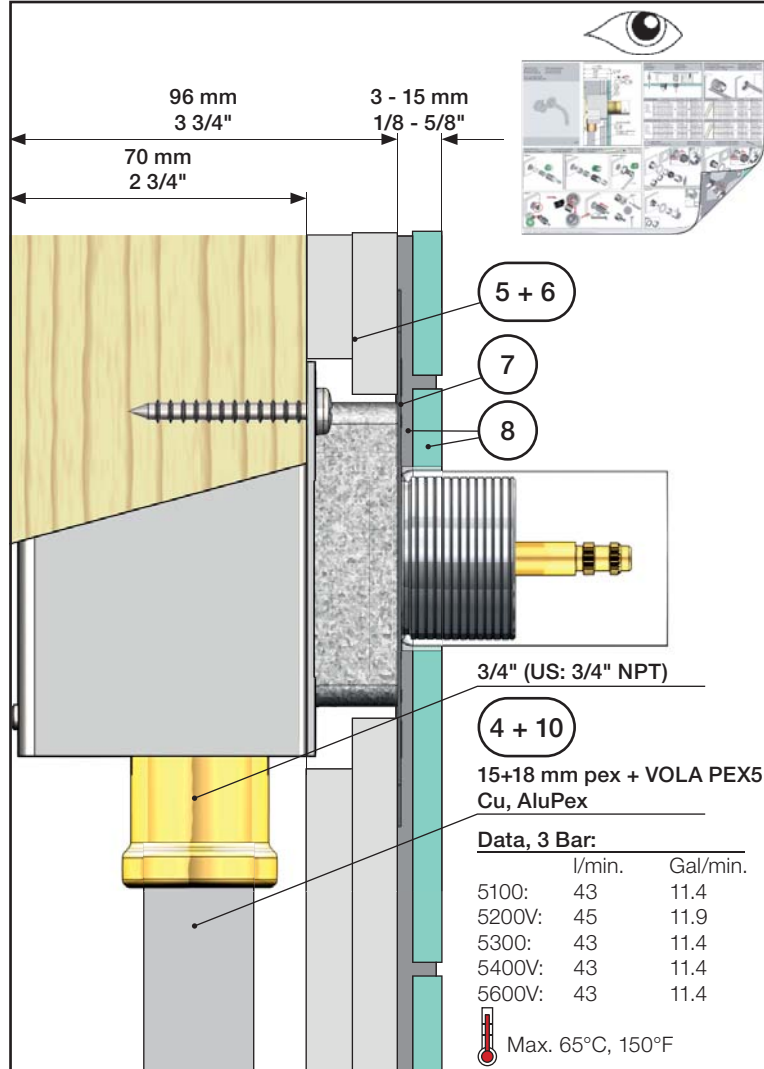
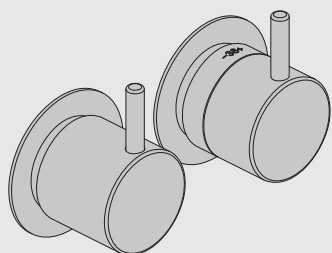


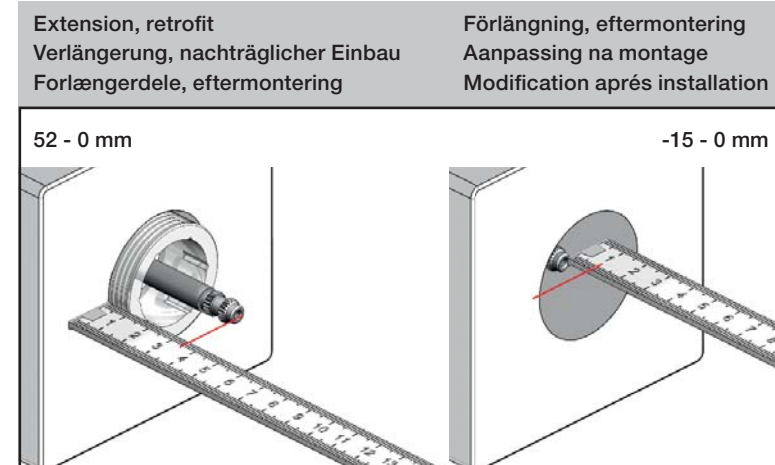
VOLA 5400DV  
 VOLA 5100, 5100X, 5200, 5200V, 5300, 5600, 5600V, 5400, 5400V  
 VOLA 5400N, 5400NV, 5400T, 5400TV, 5400F, 5400FV, 5400R, 5400RV

Fitting instruction  
 Montageanleitung  
 Monteringsvejledning

Monteringsvægledning  
 Montage hanleiding  
 Manuel de montage



	VR5250:	VR5400:	VR2019:
Tiles:	3 - 15 mm	Standard	Standard
Fliesen:	15 - 25 mm	VR5250+10	VR5400+10
Fliser:	25 - 35 mm	VR5250+20	VR5400+20
Tegels:	35 - 45 mm	VR5250+30	VR5400+30
Carreaux:	45 - 55 mm	VR5250+40	VR5400+40
	55 - 65 mm	VR5250+50	VR5400+50



	VR5250:	VR5400:	VR2019:
	37 - 49 mm	Standard	Standard
	27 - 37 mm	VR5250+10	VR5400+10
	17 - 27 mm	VR5250+20	VR5400+20
	7 - 17 mm	VR5250+30	VR5400+30
	-3 - 7 mm	VR5250+40	VR5400+40
	-13 - -3 mm	VR5250+50	VR5400+50

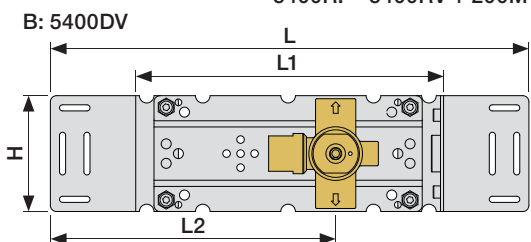
VA 1.43/18670, VA 1.43/18671, VA 1.43/18672

www.vola.com

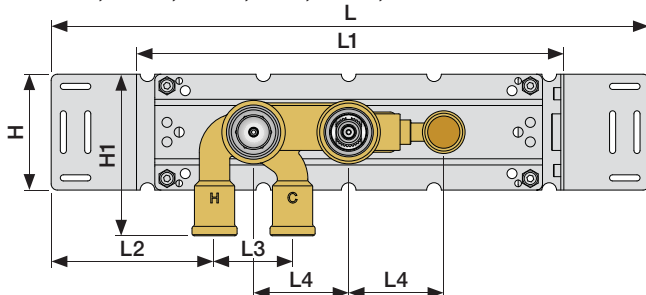
vola

5200: 5200V + 200M 5400N: 5400NV + 200M  
 5400: 5400V + 200M 5400T: 5400TV + 200M  
 5600: 5600V + 200M 5400F: 5400FV + 200M  
 5400R: 5400RV + 200M

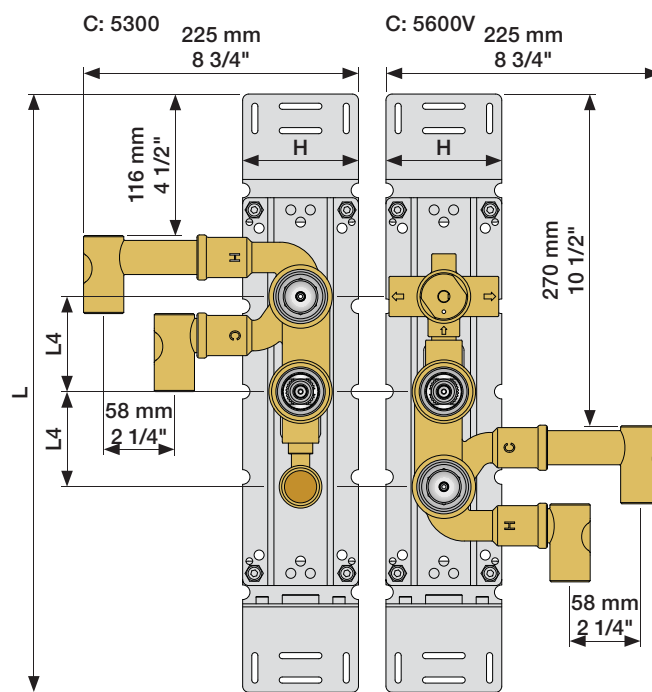
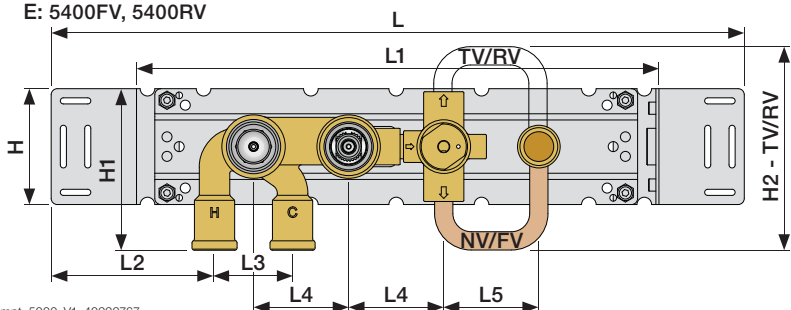
	L	L1	L2	L3	L4	L5	H	H1	H2
(B)	395 mm 15 1/2"	260 mm 10"	234 mm 9 1/4"	-	-	-	95 mm 3 3/4"	130 mm 5"	-
(C)	490 mm 19 1/2"	355 mm 14"							
(D)	570 mm 23"	435 mm 17"	133 mm 5 1/4"	54 mm 2 1/2"	78 mm 3 1/16"	78 mm 3 1/16"			167 mm 6 5/8"
(E)	645 mm 25 1/2"	510 mm 20"				156 mm 6 1/8"			



C: 5100, 5100X, 5200V, 5300, 5400V, 5600V



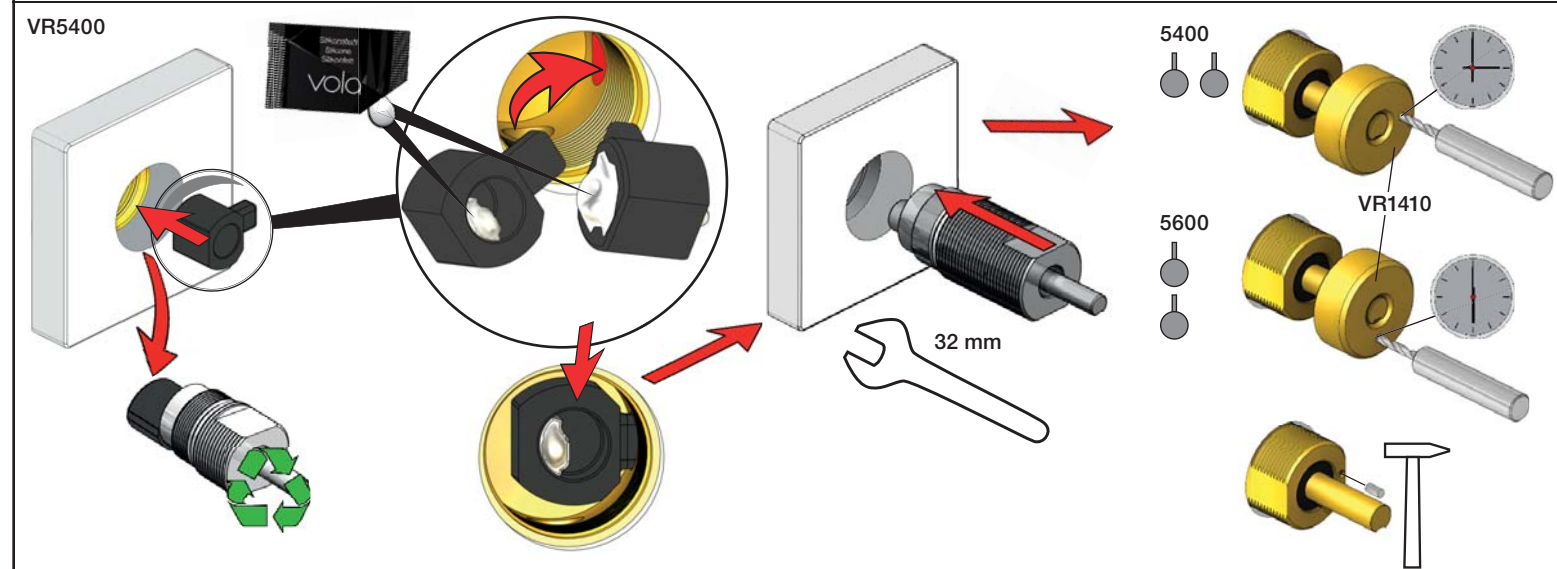
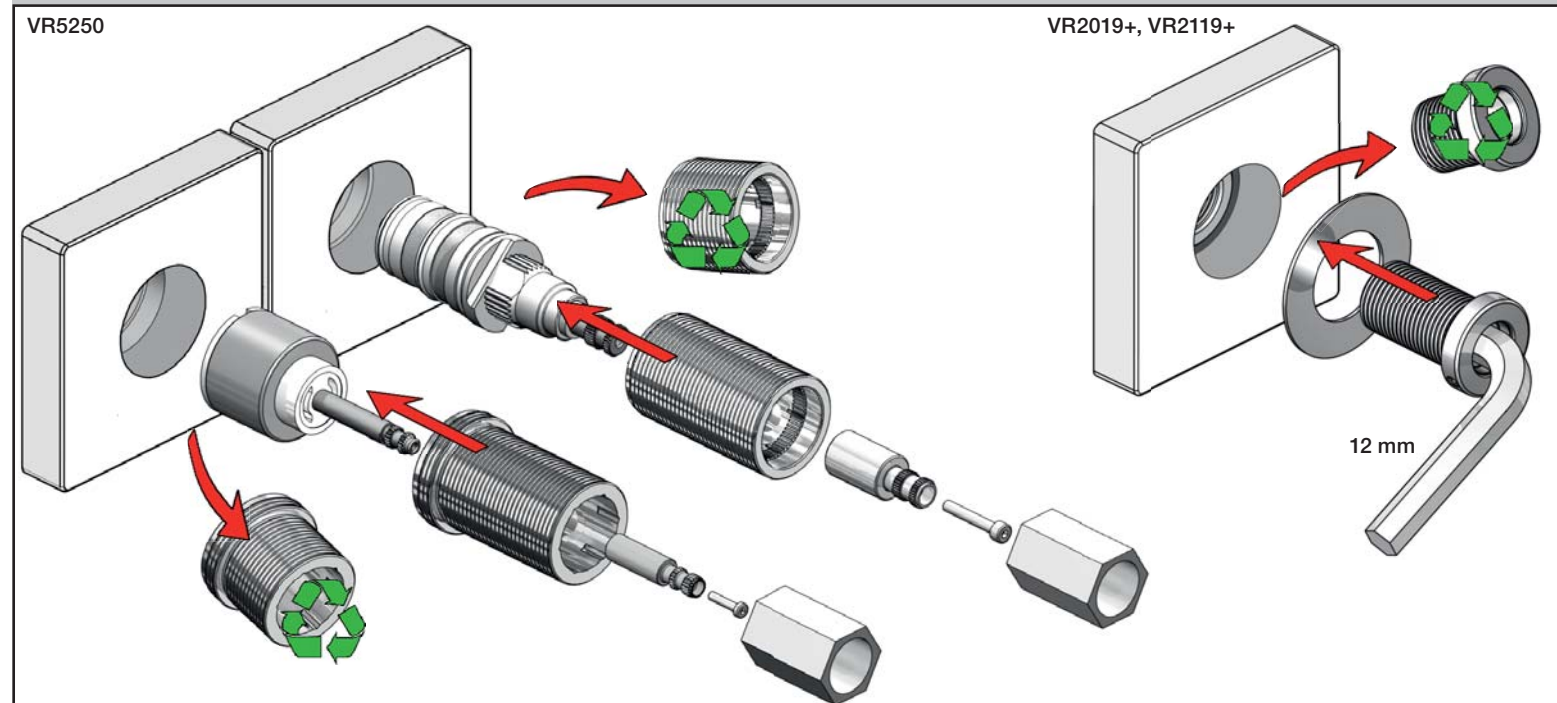
D: 5400NV, 5400TV  
 E: 5400FV, 5400RV

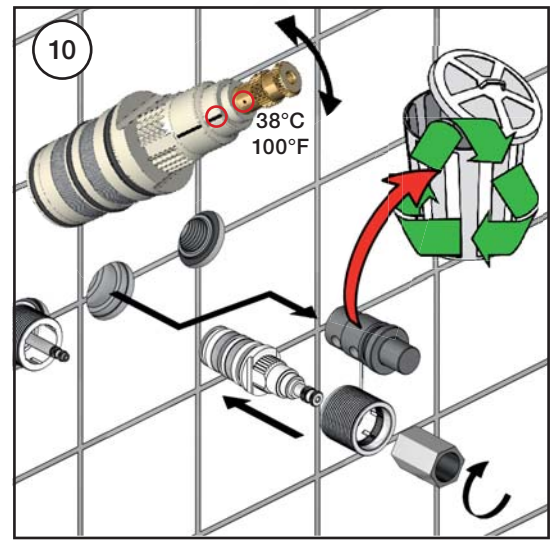
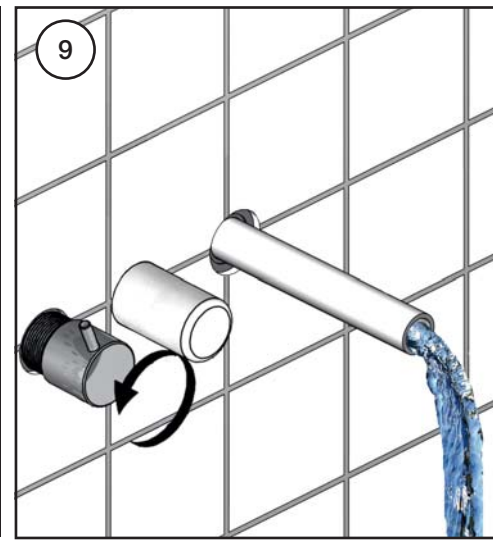
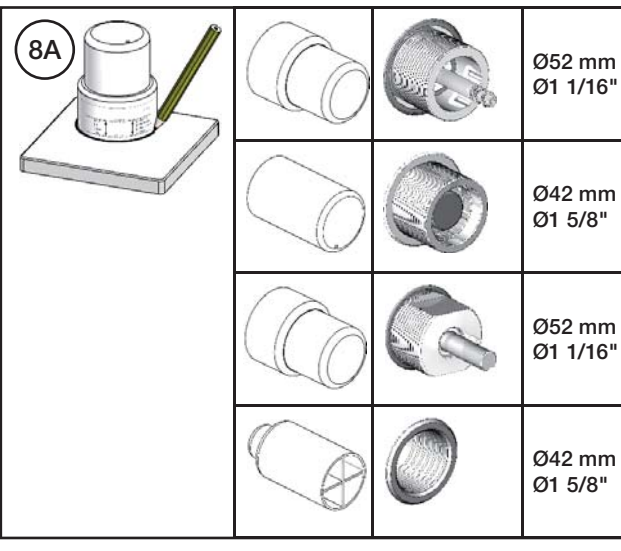
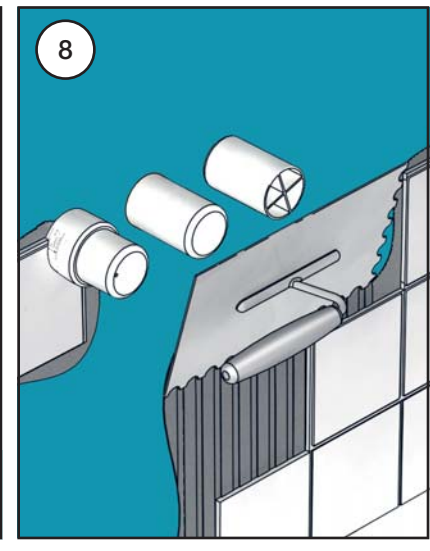
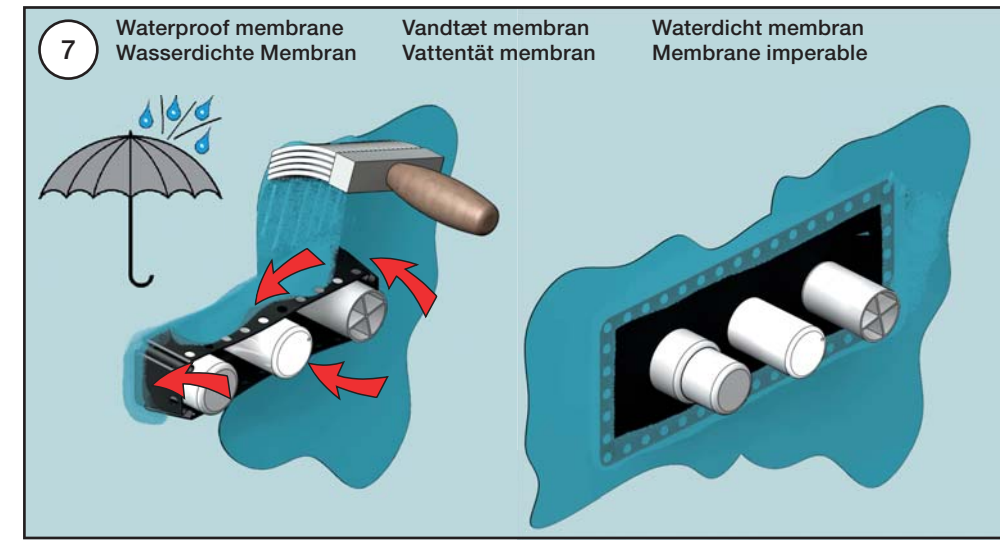
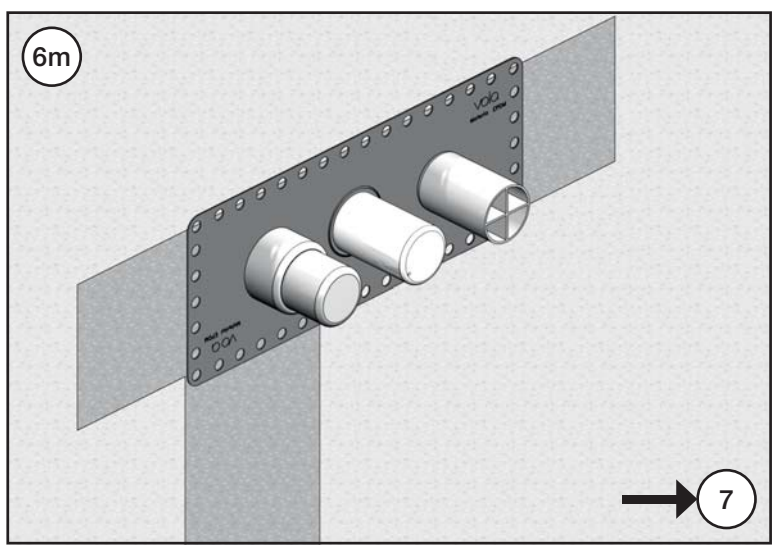
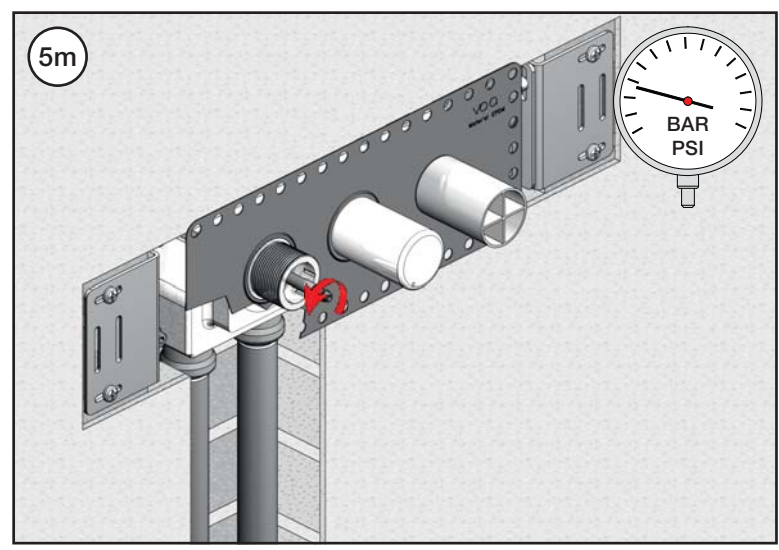
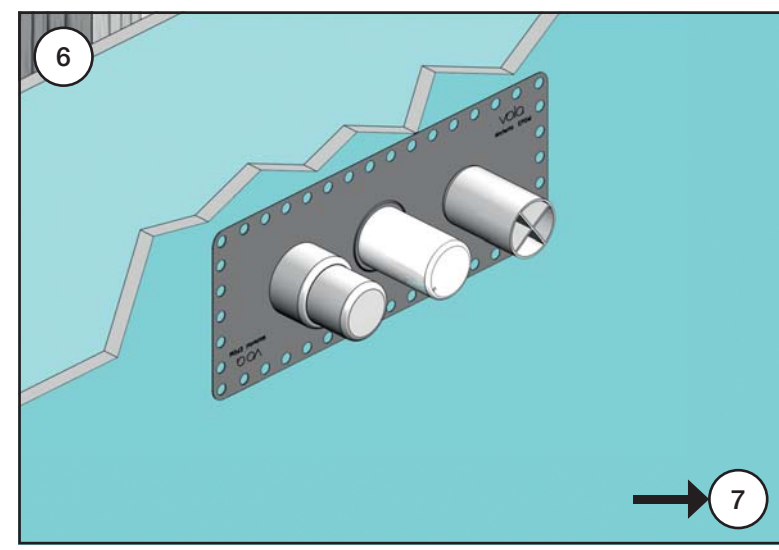
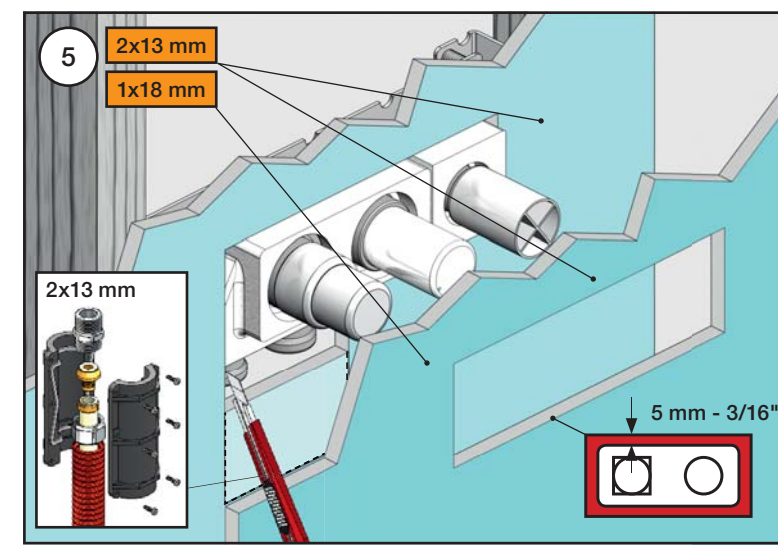
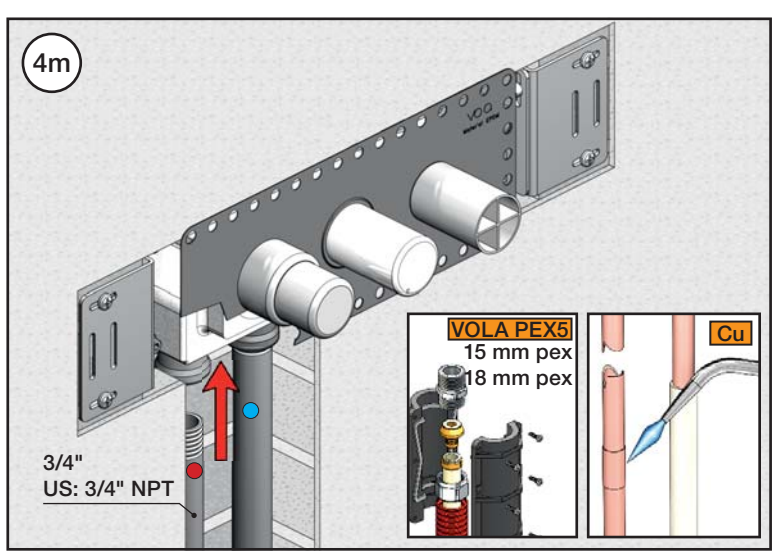
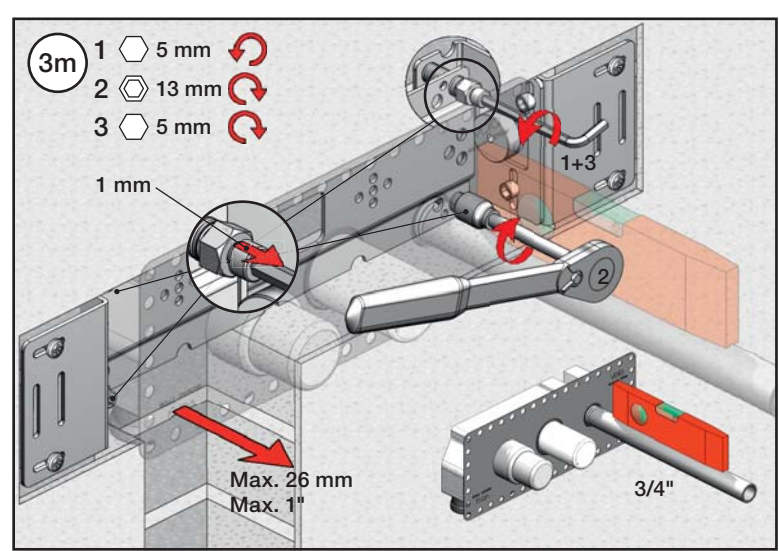
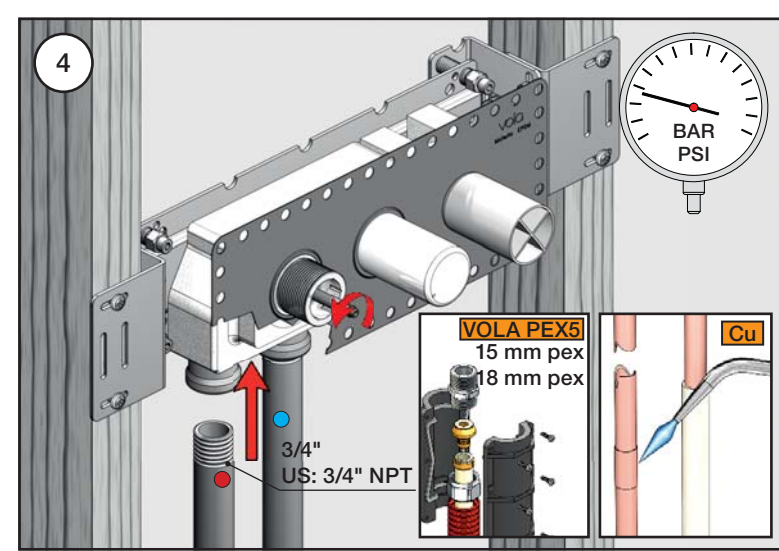
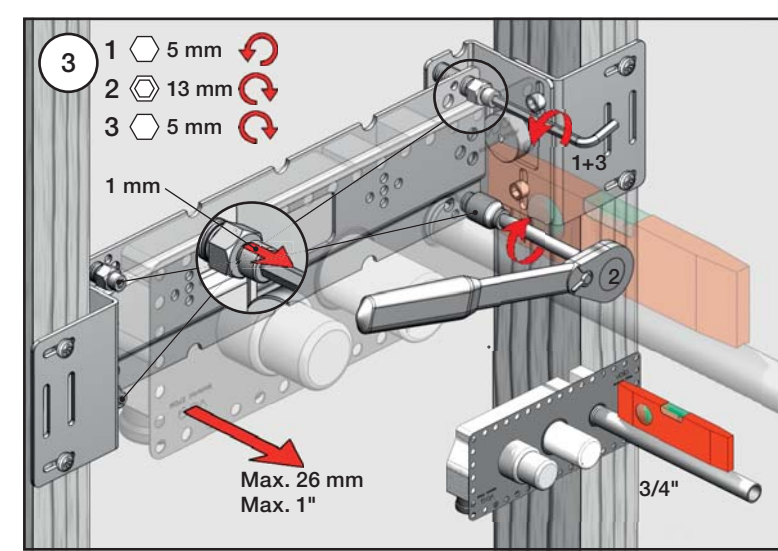
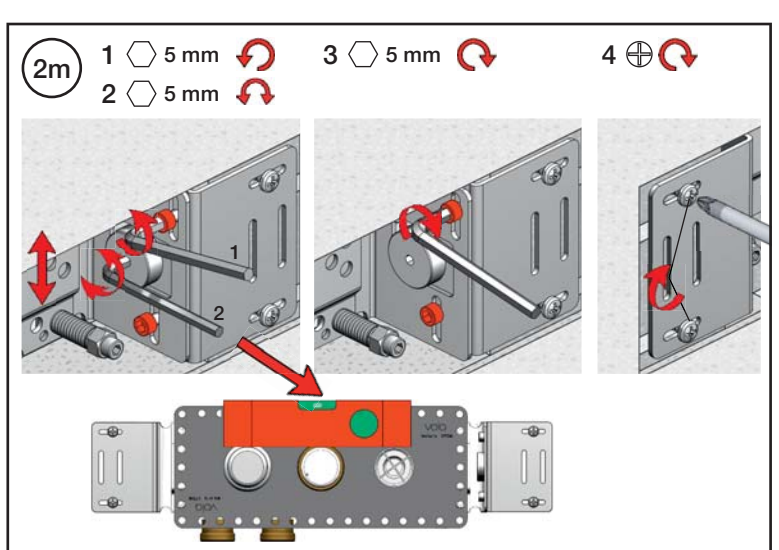
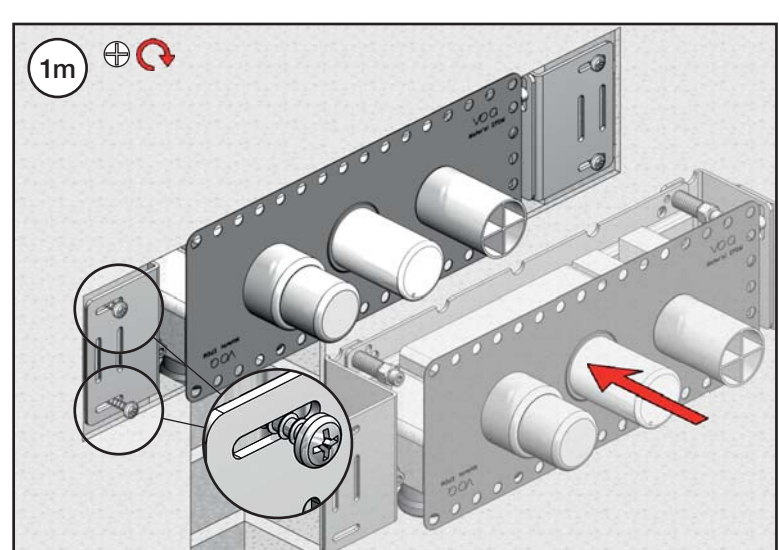
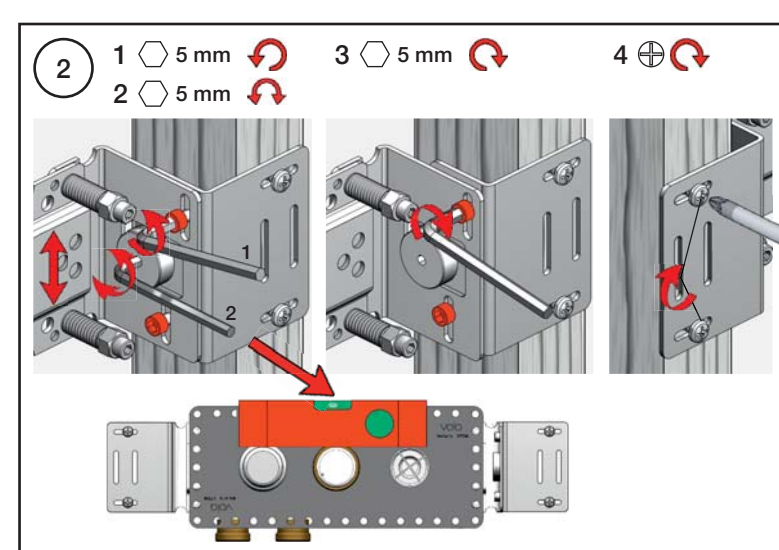
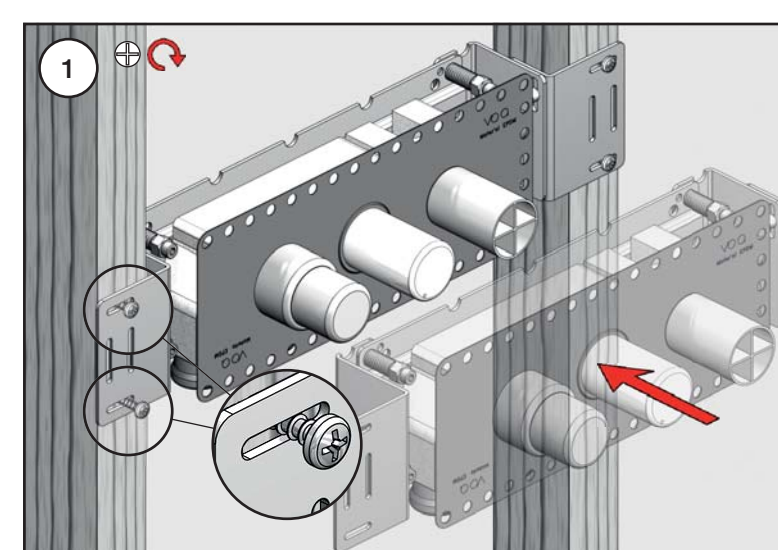


Fitting of extension  
 Montage von verlängerung

Montering af forlængerdele  
 Montering av förlängning

Montage van de verlengstukken  
 Montage des rallonges



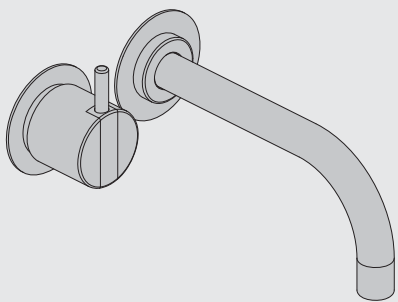


VOLA 100, 100X, 200M, 200, 200V, 300  
 VOLA 400DV, 400, 400V, 400N, 400NV, 400T  
 VOLA 400TV, 400F, 400FV, 400R, 400RV  
 VOLA 2100, 2100X, 2200, 2200V, 2300, 2400  
 VOLA 2400V, 2400N, 2400NV, 2400T, 2400TV  
 VOLA 2400F, 2400FV, 2400R, 2400RV



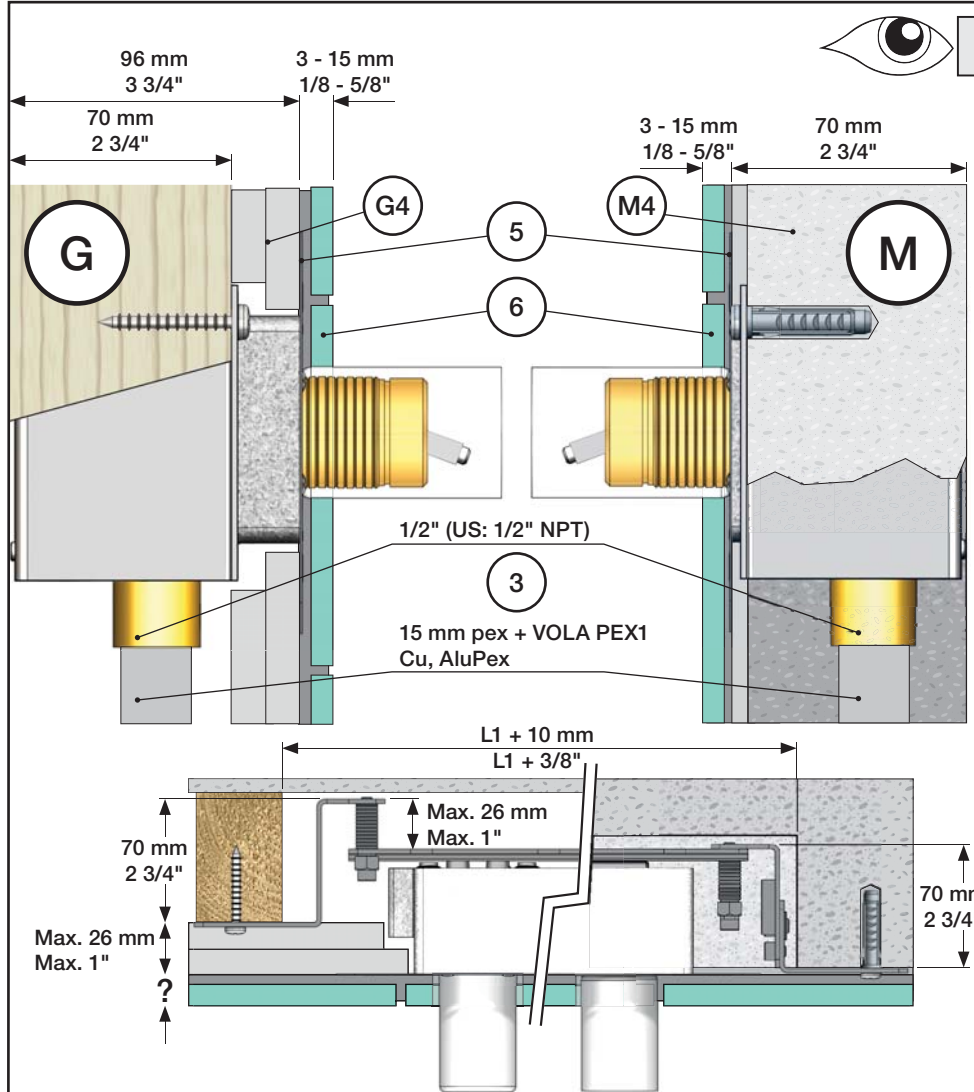
Fitting instruction  
 Montageanleitung  
 Monteringsvejledning

Monteringsvægledning  
 Montage hanledning  
 Manuel de montage



VA 1.42/18612, VA 1.42/18613, VA 1.42/18614,  
 VA 1.42/18615, VA 1.42/18616, VA 1.42/18617

www.vola.com



Data, 3 Bar:

	l/min.	Gal./min.
100:	18,3	4.8
400V:	15,6	4.1
2100:	25,2	6.7
2400V:	22,2	5.9

Max. 65°C, 150°F

Max.: 10 Bar/145 psi

Recommended operating pressure:  
 Empfohlener Betriebsdruck:  
 Anbefalet driftstryk:  
 Rekommenderat arbetstryck:  
 Aanbevolen werkdruk:  
 Pression de fonctionnement recommandée:

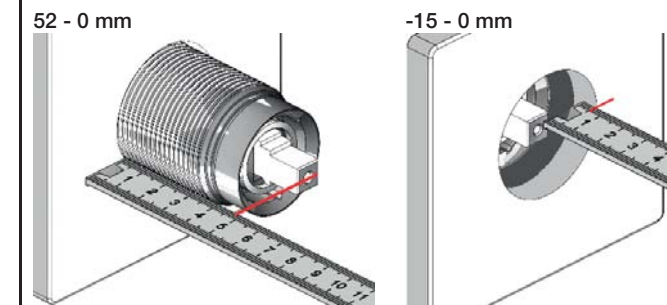
2 - 5 Bar  
 29 - 72.5 psi

Extension Verlängerung Forlængerdele Förlängning Verlangstukken Modification

	100/200/300/400	VR1254	VR1400	VR2019
3 - 15 mm	Std.	Std.	Std.	Std.
15 - 25 mm	+10	+10	+10	+10
25 - 35 mm	+20	+20	+20	+20
35 - 45 mm	+30	+30	+30	+30
45 - 55 mm	+40	+40	+40	+40
55 - 65 mm	+50	+50	+50	+50

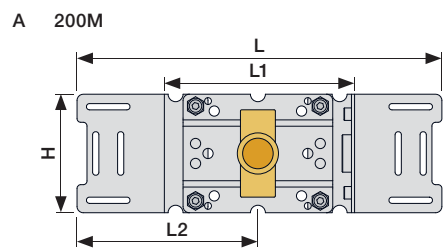
	2100/2200/2300/2400	VR2250	VR1400	VR2019
3 - 15 mm	Std.	Std.	Std.	Std.
15 - 25 mm	+10	+10	+10	+10
25 - 35 mm	+20	+20	+20	+20
35 - 45 mm	+30	+30	+30	+30
45 - 55 mm	+40	+40	+40	+40
55 - 65 mm	+50	+50	+50	+50

Extension, retrofit  
 Verlängerung, nachträglicher Einbau  
 Forlængerdele, eftermontering  
 Förlängning, eftermontering  
 Aanpassing na montage  
 Modification après installation



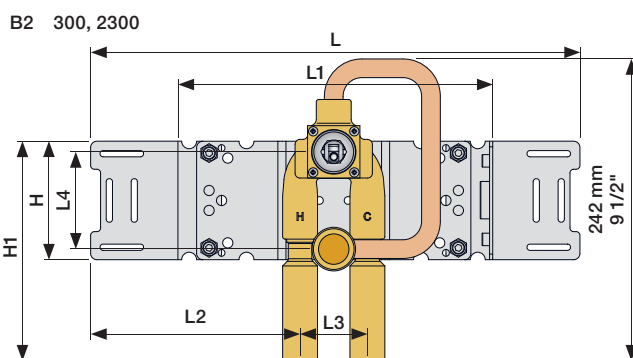
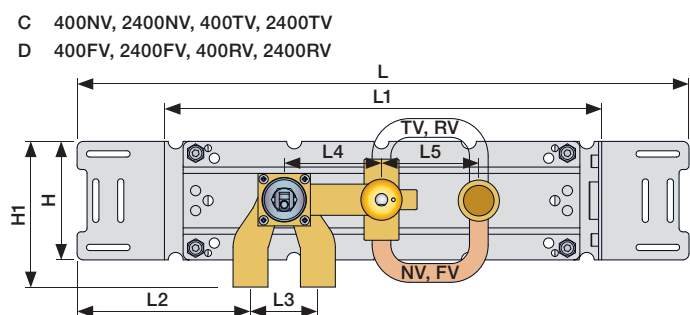
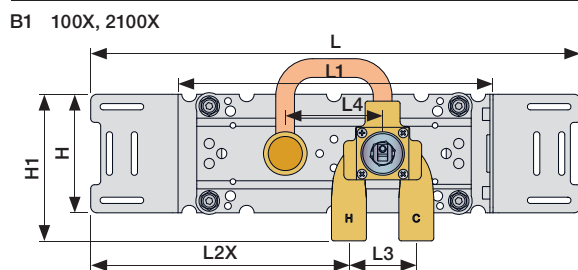
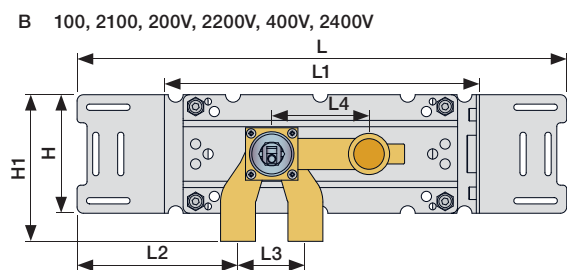
	100/200/300/400	VR1254	VR1400	VR2019
40 - 52 mm	Std.	Std.	Std.	Std.
30 - 40 mm	+10	+10	+10	+10
20 - 30 mm	+20	+20	+20	+20
10 - 15 mm	+30	+30	+30	+30
0 - 10 mm	+40	+40	+40	+40
-10 - 0 mm	+50	+50	+50	+50

	2100/2200/2300/2400	VR2250	VR1400	VR2019
35 - 47 mm	Std.	Std.	Std.	Std.
25 - 35 mm	+10	+10	+10	+10
15 - 25 mm	+20	+20	+20	+20
5 - 15 mm	+30	+30	+30	+30
-5 - 5 mm	+40	+40	+40	+40
-15 - -5 mm	+50	+50	+50	+50



200: 200V + 200M  
 400: 400V + 2 x 200M  
 2400: 2400V + 2 x 200M  
 400N: 400NV + 200M  
 2400N: 2400NV + 200M  
 400T: 400TV + 200M  
 2400T: 2400TV + 200M  
 400F: 400FV + 200M  
 2400F: 2400FV + 200M  
 400R: 400RV + 200M  
 2400R: 2400RV + 200M

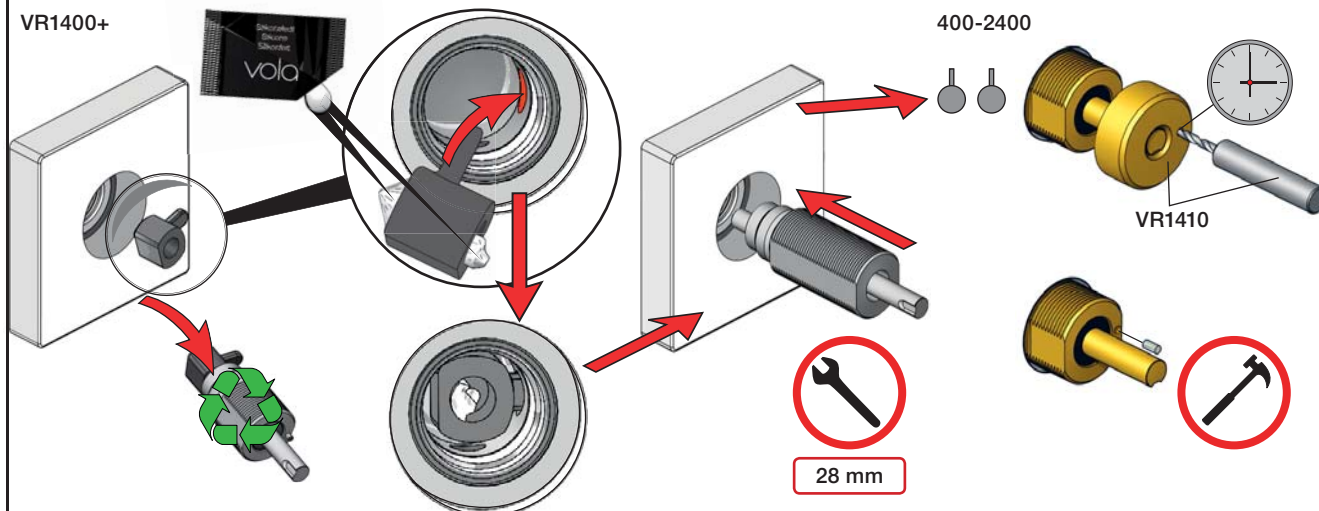
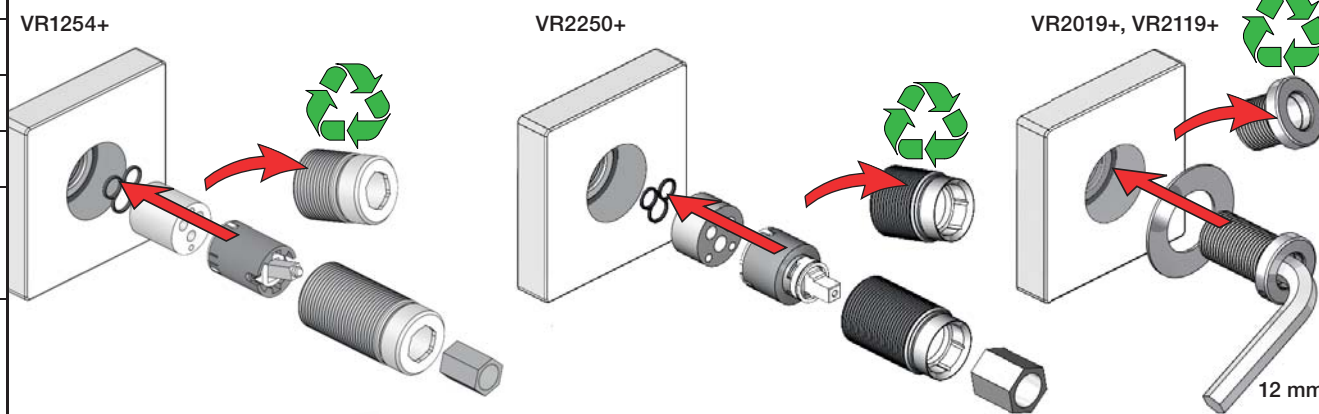
	L	L1	L2	L3	L4	L5	H	H1
A	295 mm 11 1/2"	160 mm 6 1/2"	145 mm 5 3/4"	-	-	-	95 mm 3 3/4"	-
B			129 mm 5"					120 mm 4 3/4"
B1	395 mm 15 1/2"	260 mm 10"	207 mm 8 1/8"					175 mm 6 7/8"
B2			168 mm 6 5/8"	54 mm 2 1/8"	78 mm 3 1/16"		78 mm 3 1/16"	120 mm 4 3/4"
C	490 mm 19 1/2"	355 mm 14"	139 mm 5 1/2"				156 mm 6 1/8"	
D	570 mm 23"	435 mm 17"						



Fitting of extension  
 Montage von verlängerung

Montering af forlængerdele  
 Montering av förlängning

Montage van de verlengstukken  
 Montage des rallonges



100-2100\_V5\_40999996

