
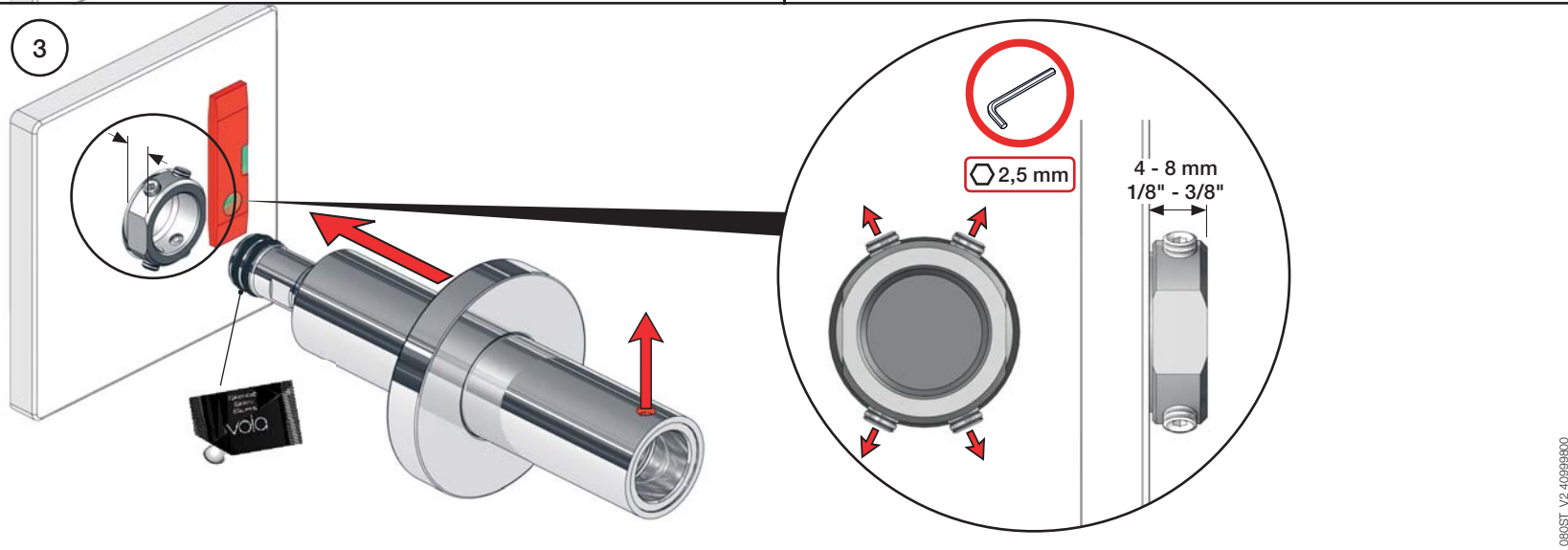
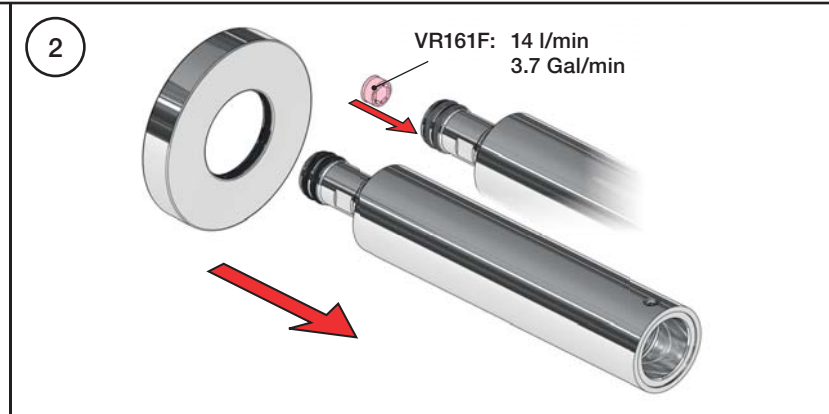
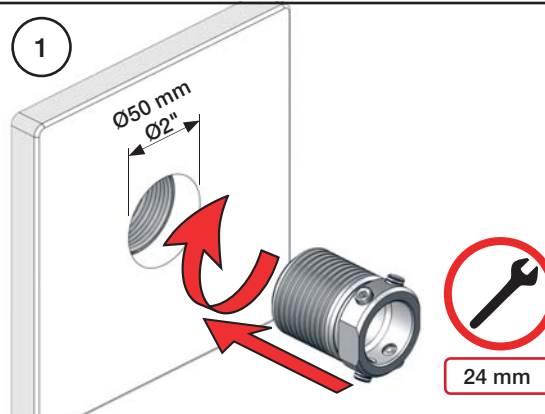
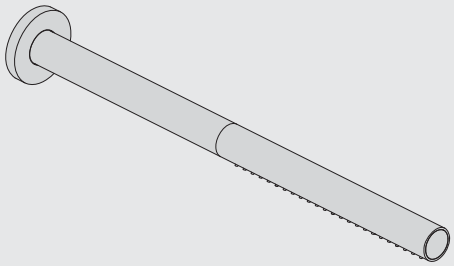
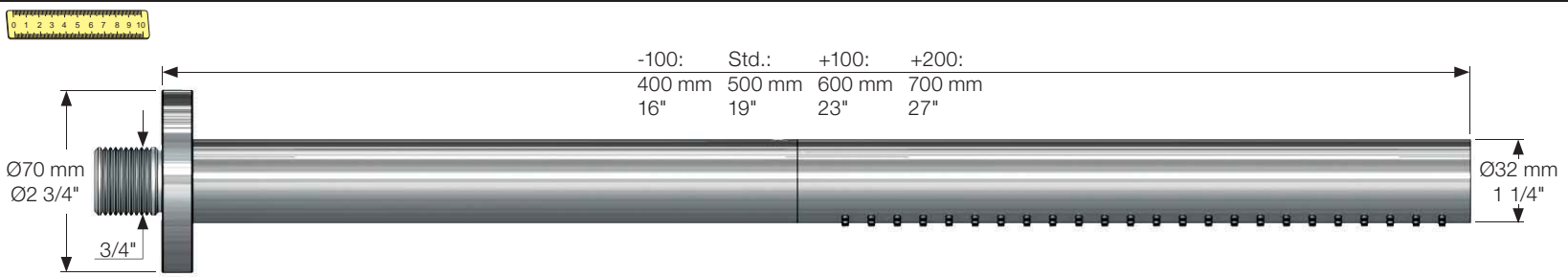


Data	Bar:	1	2	3	4	5
080ST	(l/min) (Gal/min)	14.4 3.8	20.4 5.4	25 6.6	29 7.7	32.3 8.5
	Max. 65°C, 150°F					

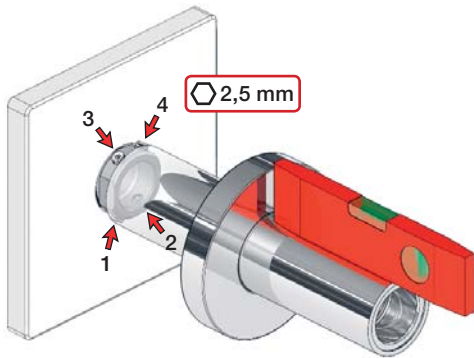


VR161:

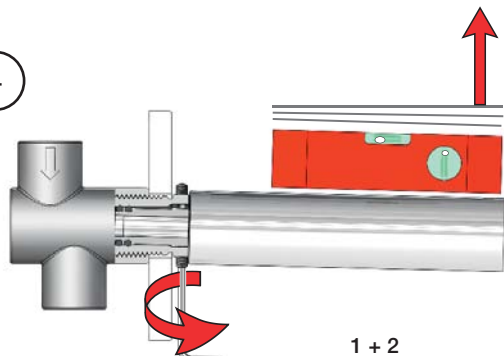
VR161K: 7 l/min - 1.85 Gal/min (Cal Green)
 VR161D: 9 l/min - 2.5 Gal/min (USA Standard)
 VR161F: 14 l/min - 3.7 Gal/min



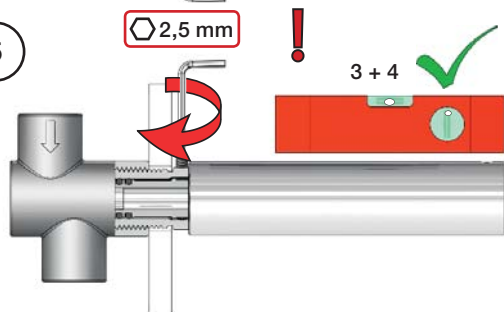
3



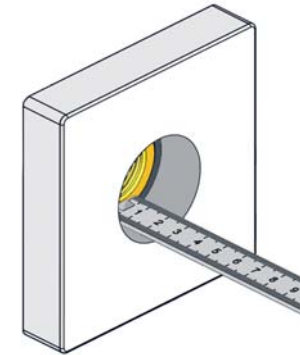
4




5

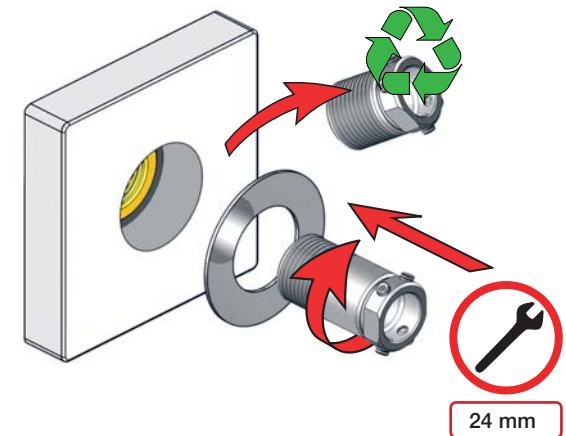


6

Extension
VerlängerungForlængerdele
FörlängningVerlængstukken
Modification

		VR648: 
Tiles:	7 - 19 mm	Standard
Fliesen:	17 - 28 mm	VR648+10
Fliser:	27 - 38 mm	VR648+20
Fliser:	37 - 48 mm	VR648+30
Tegels:	47 - 58 mm	VR648+40
Car-reaux:	57 - 68 mm	VR648+50

VR648+

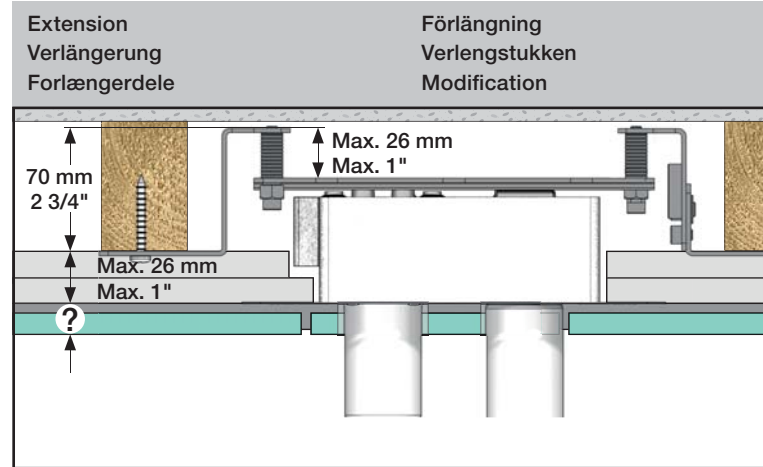
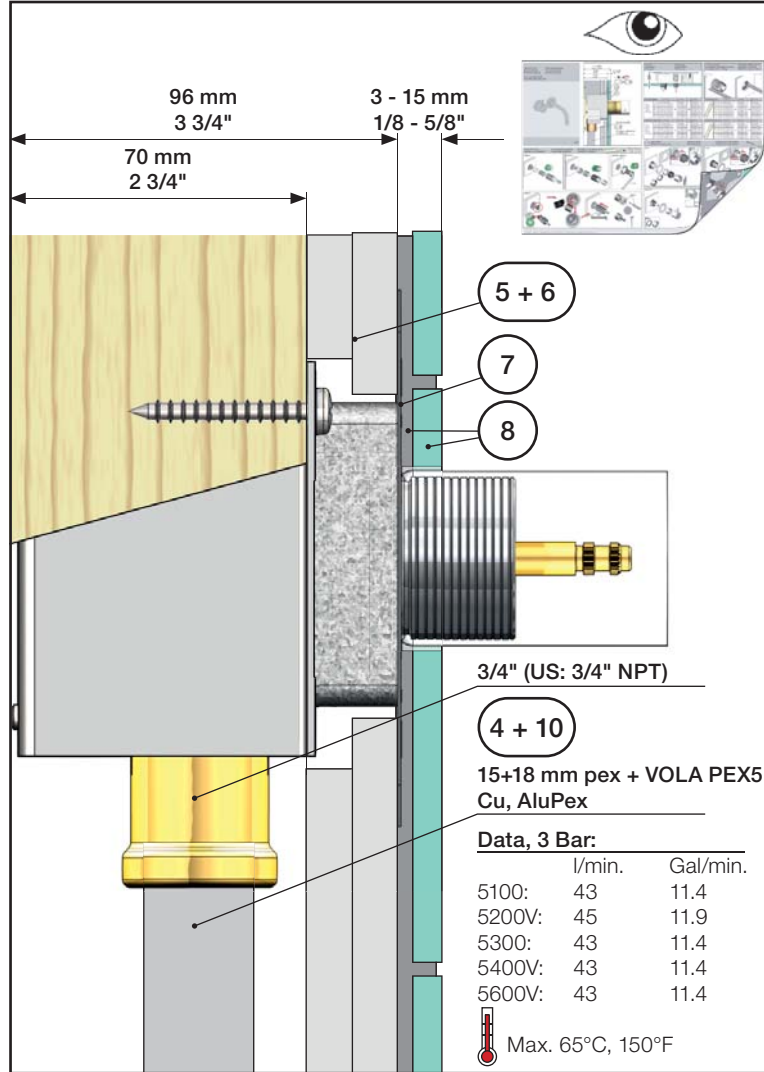
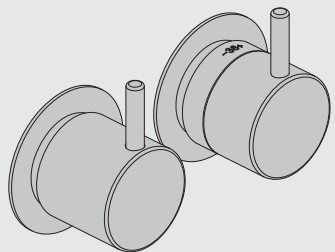


24 mm

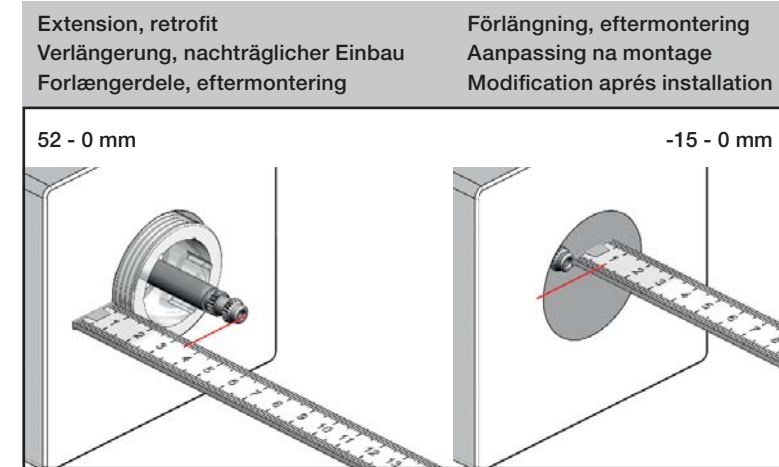
VOLA 5400DV
 VOLA 5100, 5100X, 5200, 5200V, 5300, 5600, 5600V, 5400, 5400V
 VOLA 5400N, 5400NV, 5400T, 5400TV, 5400F, 5400FV, 5400R, 5400RV

Fitting instruction
 Montageanleitung
 Monteringsvejledning

Monteringsvægledning
 Montage hanleiding
 Manuel de montage



	VR5250:	VR5400:	VR2019:
Tiles:	3 - 15 mm	Standard	Standard
Fliesen:	15 - 25 mm	VR5250+10	VR5400+10
Fliser:	25 - 35 mm	VR5250+20	VR5400+20
Tegels:	35 - 45 mm	VR5250+30	VR5400+30
Carreaux:	45 - 55 mm	VR5250+40	VR5400+40
	55 - 65 mm	VR5250+50	VR5400+50



	VR5250:	VR5400:	VR2019:
52 - 0 mm	37 - 49 mm	Standard	Standard
	27 - 37 mm	VR5250+10	VR5400+10
	17 - 27 mm	VR5250+20	VR5400+20
	7 - 17 mm	VR5250+30	VR5400+30
	-3 - 7 mm	VR5250+40	VR5400+40
	-13 - -3 mm	VR5250+50	VR5400+50

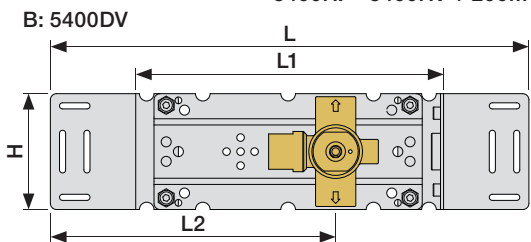
VA 1.43/18670, VA 1.43/18671, VA 1.43/18672

www.vola.com

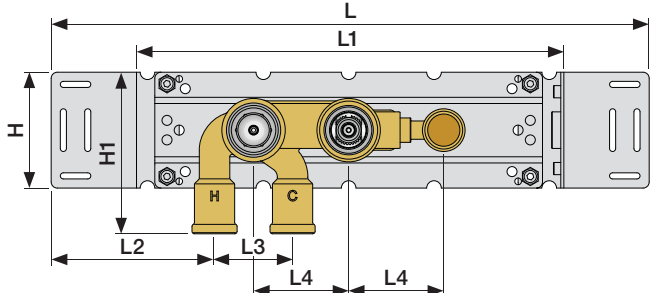
vola

5200:	5200V + 200M	5400N:	5400NV + 200M
5400:	5400V + 200M	5400T:	5400TV + 200M
5600:	5600V + 200M	5400F:	5400FV + 200M
		5400R:	5400RV + 200M

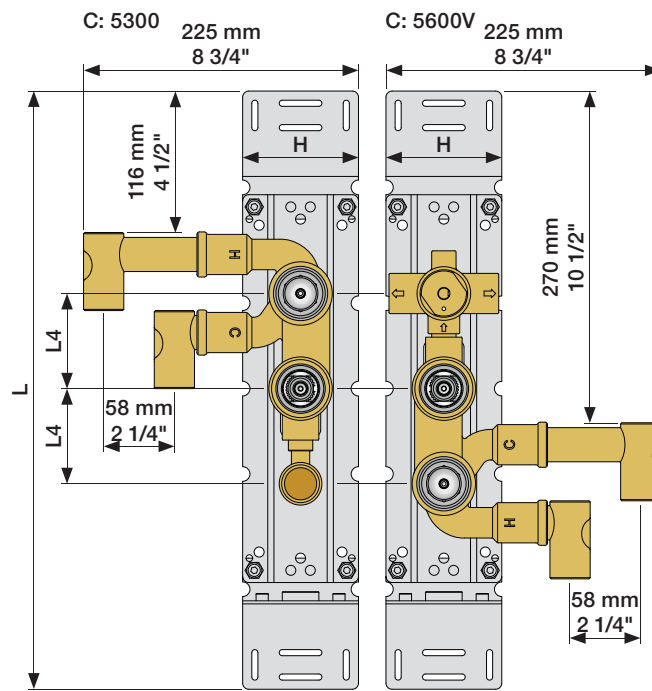
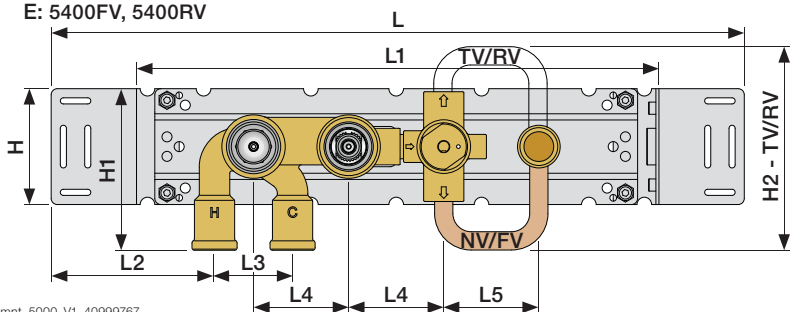
	L	L1	L2	L3	L4	L5	H	H1	H2
(B)	395 mm 15 1/2"	260 mm 10"	234 mm 9 1/4"	-	-	-	95 mm 3 3/4"	130 mm 5"	-
(C)	490 mm 19 1/2"	355 mm 14"							
(D)	570 mm 23"	435 mm 17"	133 mm 5 1/4"	54 mm 2 1/2"	78 mm 3 1/16"	78 mm 3 1/16"			167 mm 6 5/8"
(E)	645 mm 25 1/2"	510 mm 20"				156 mm 6 1/8"			



C: 5100, 5100X, 5200V, 5300, 5400V, 5600V



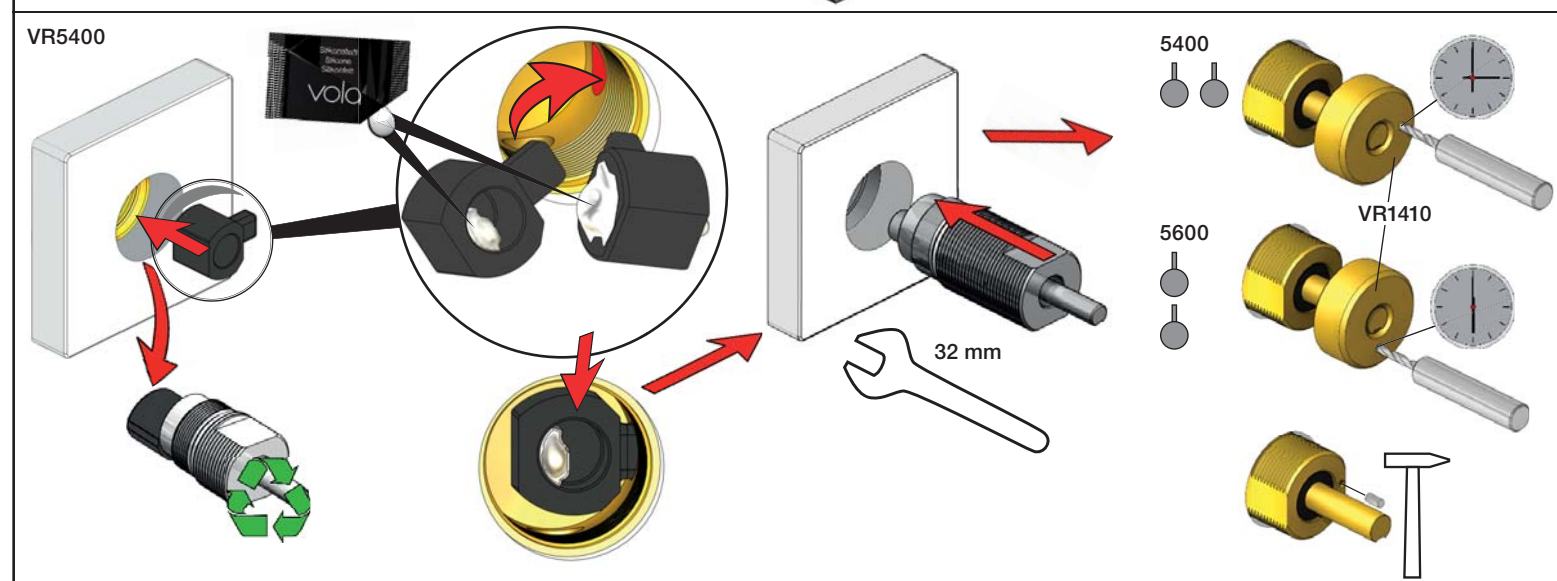
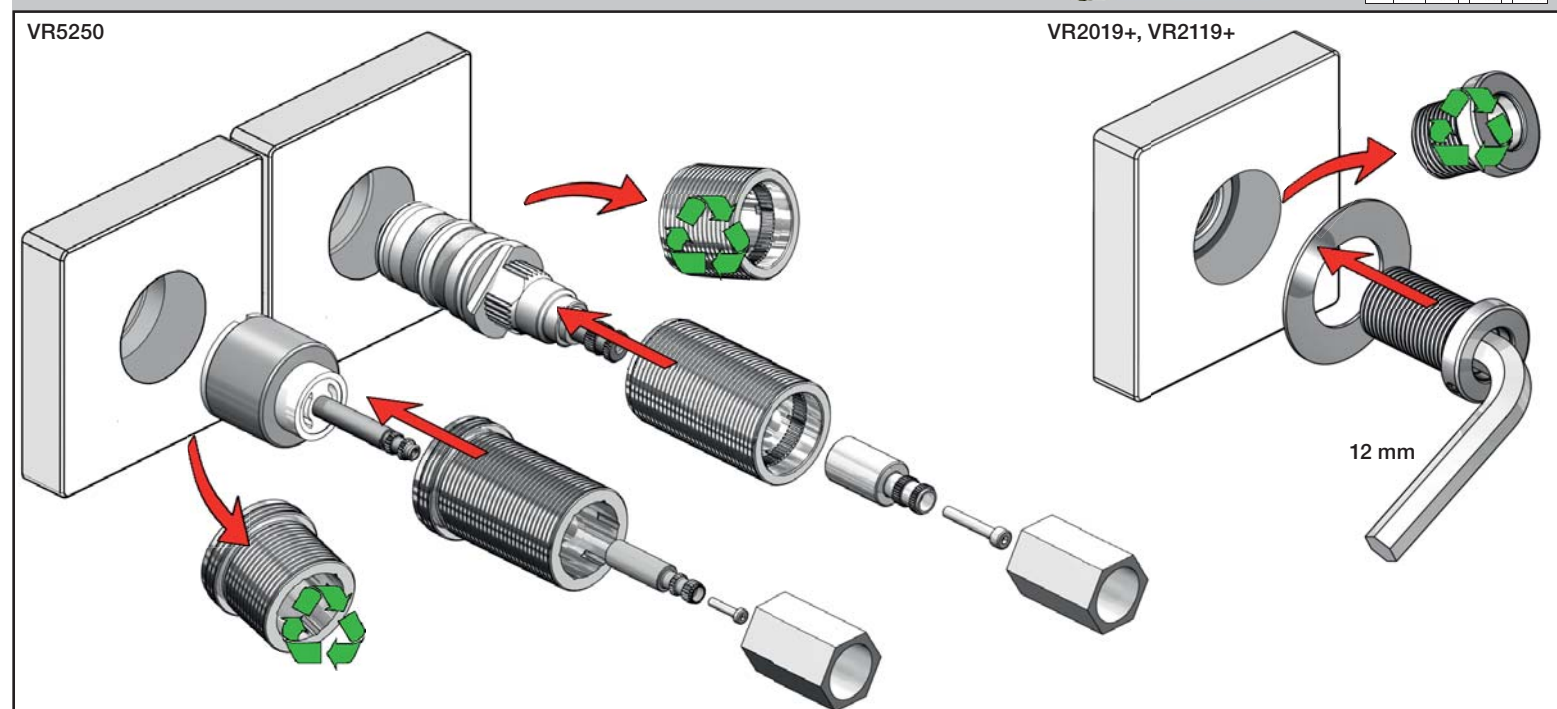
D: 5400NV, 5400TV
 E: 5400FV, 5400RV

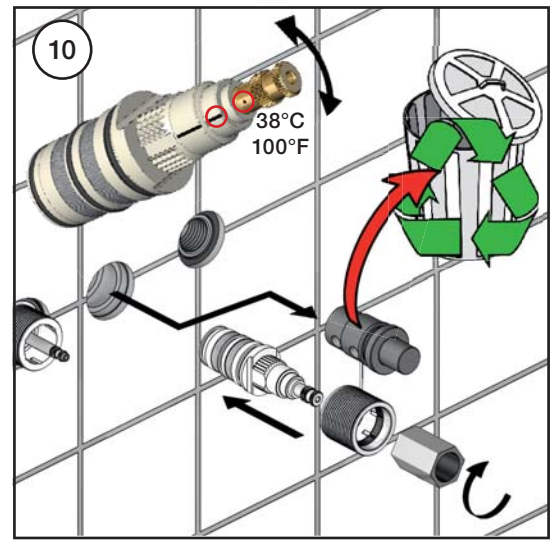
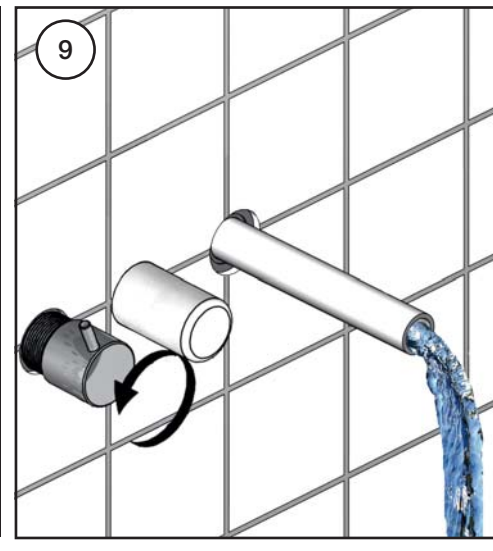
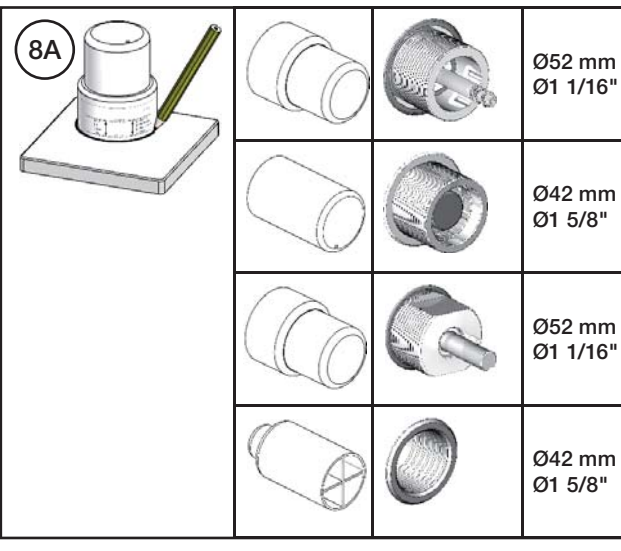
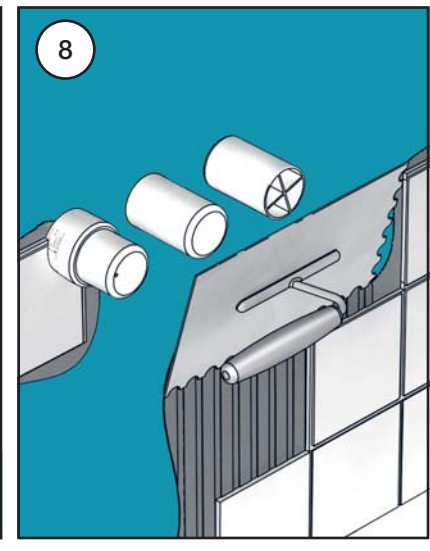
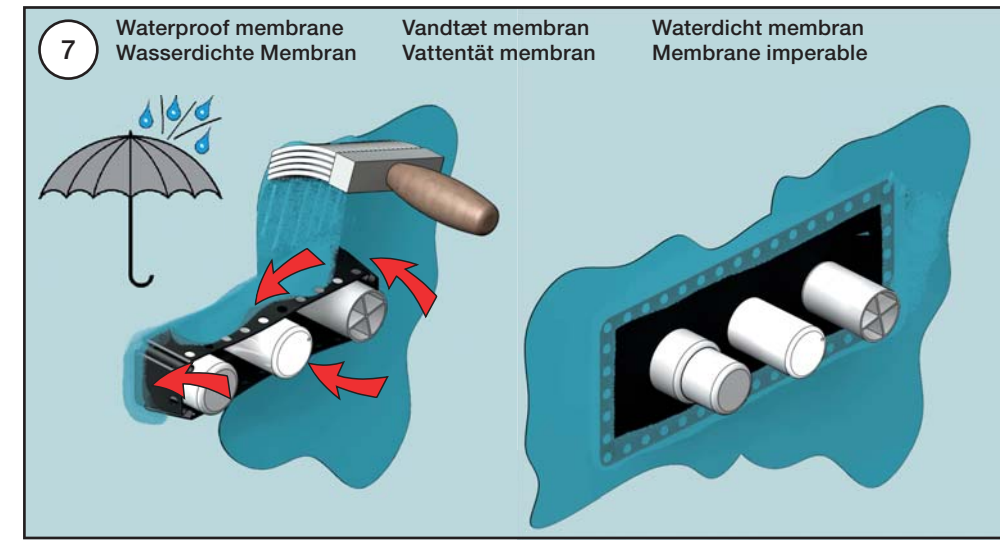
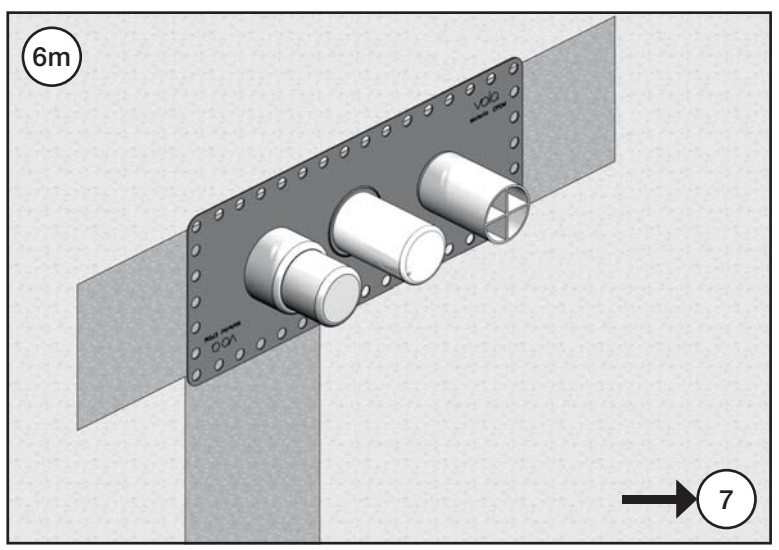
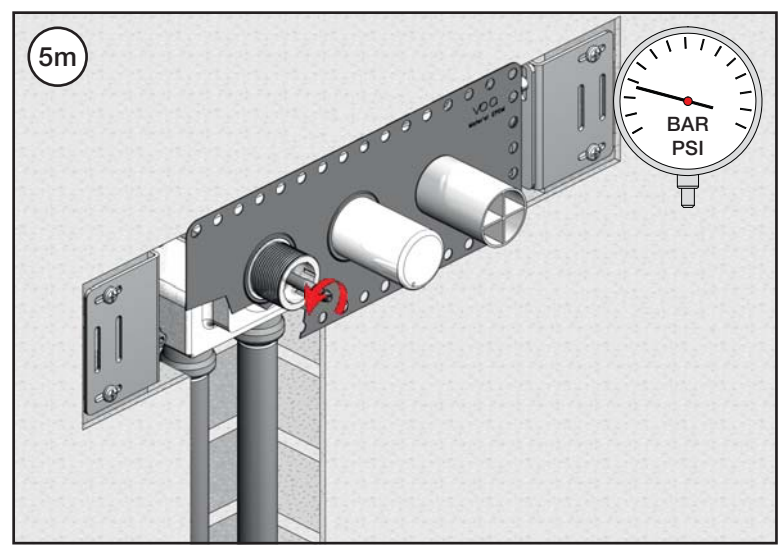
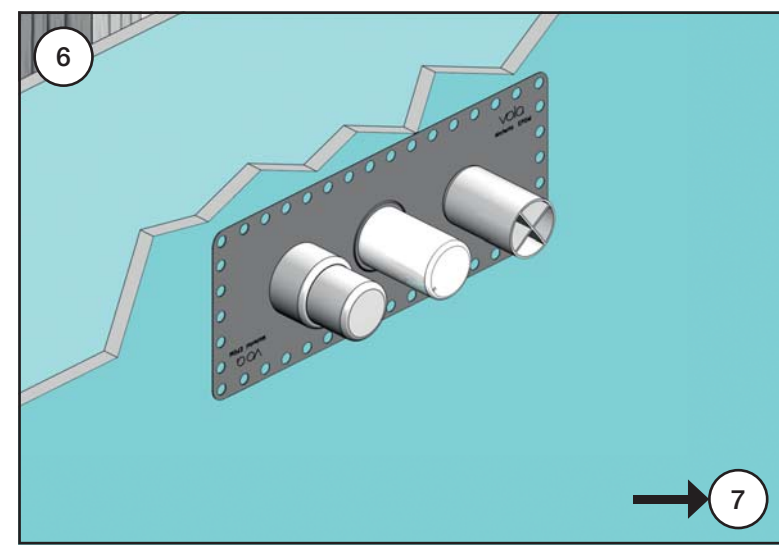
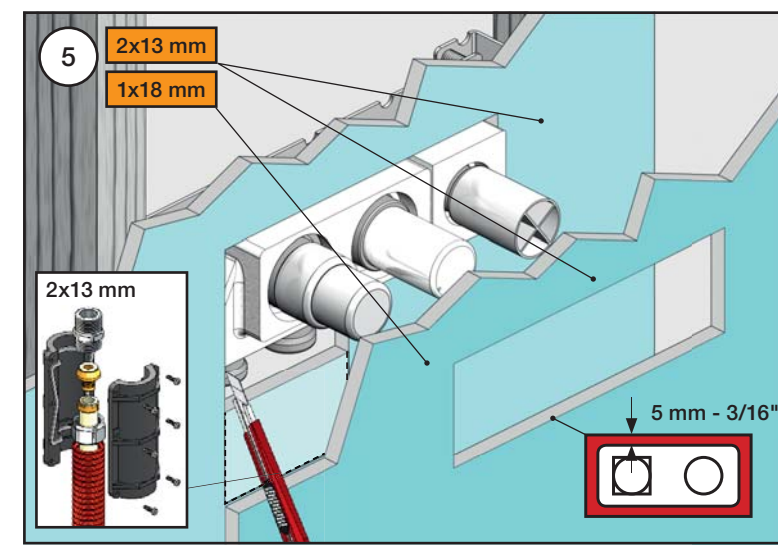
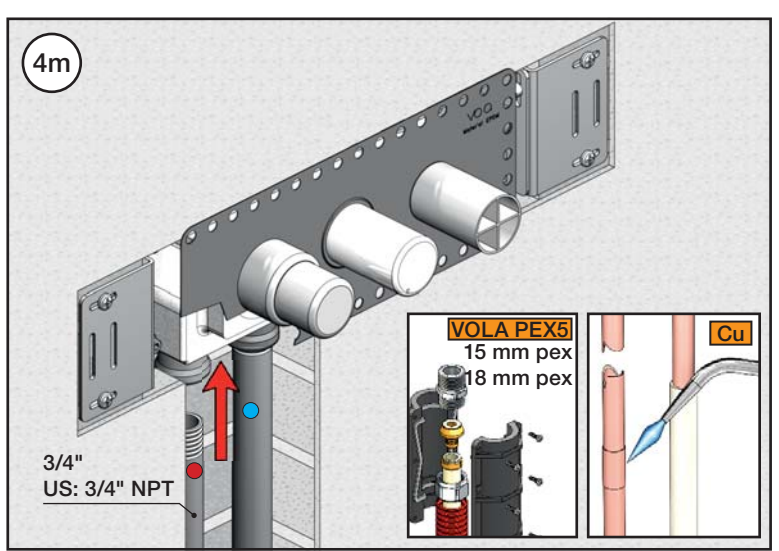
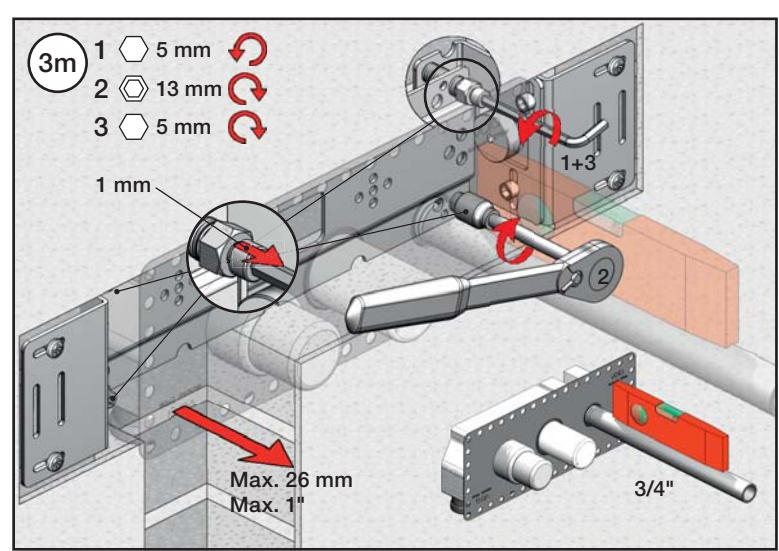
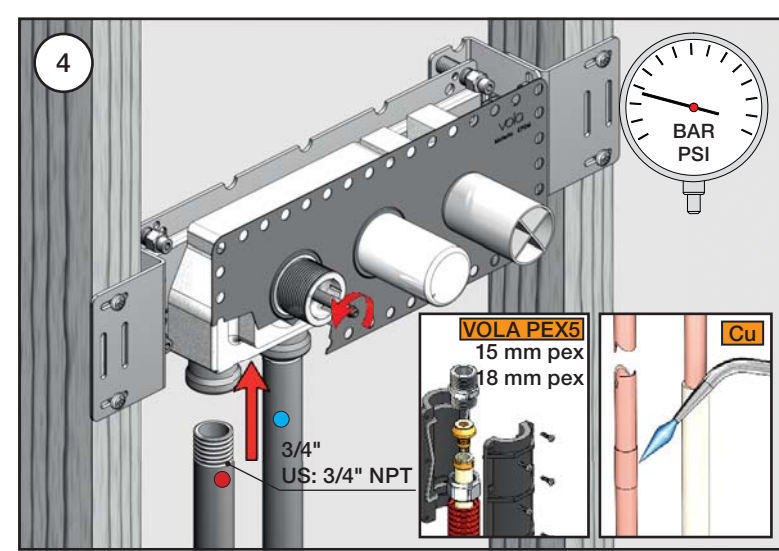
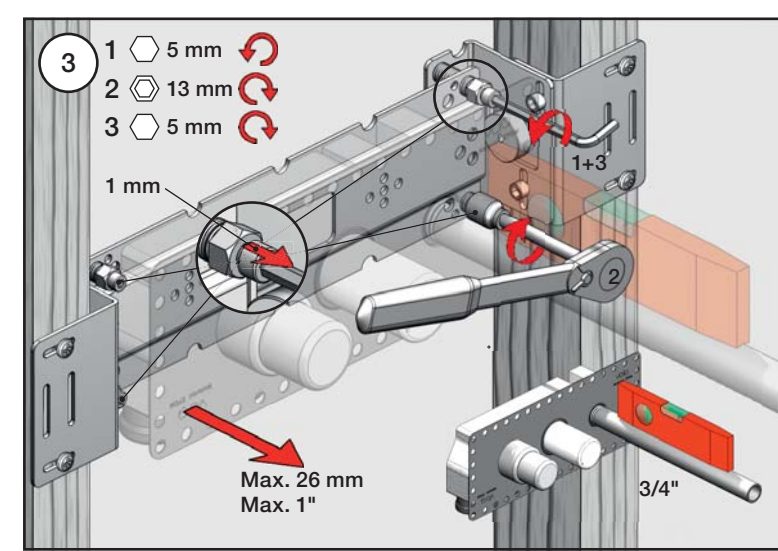
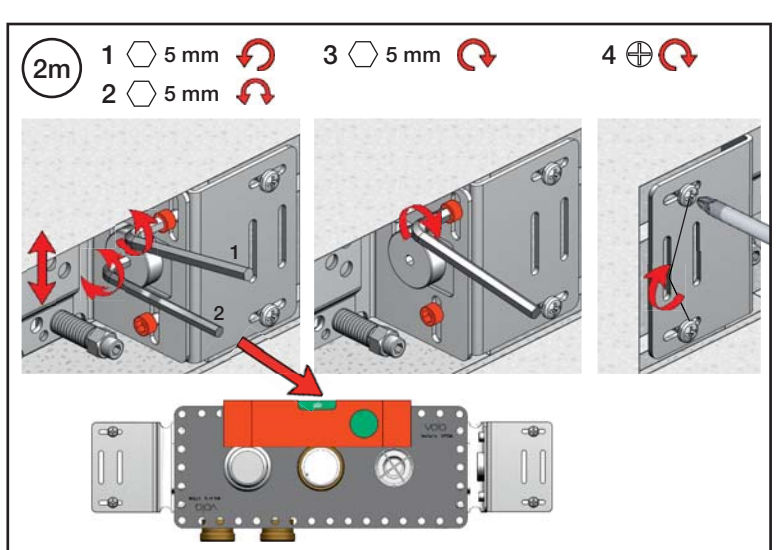
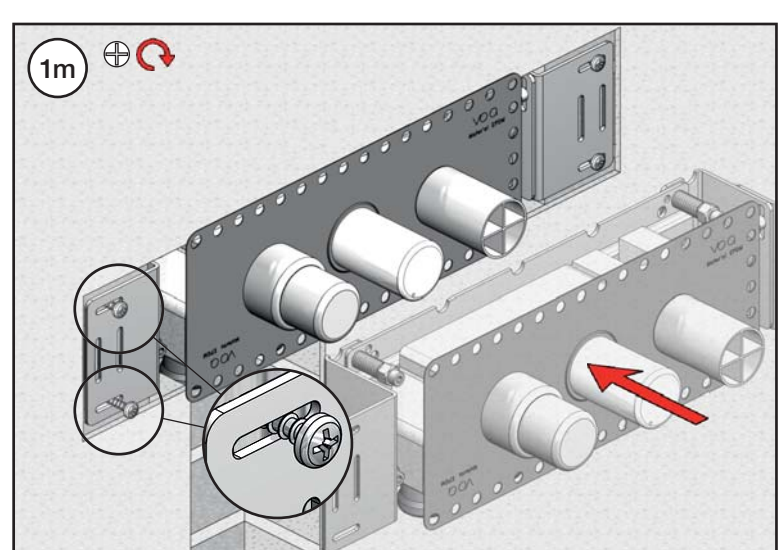
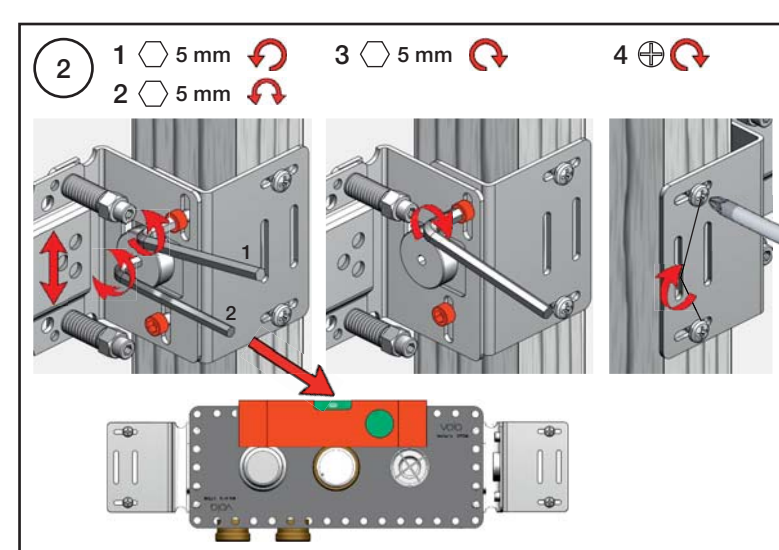
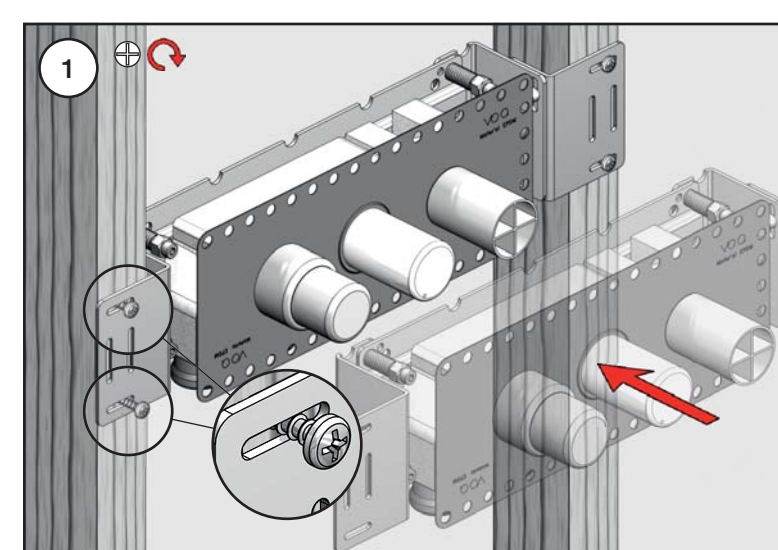


Fitting of extension
 Montage von verlängerung

Montering af forlængerdele
 Montering av förlängning

Montage van de verlengstukken
 Montage des rallonges



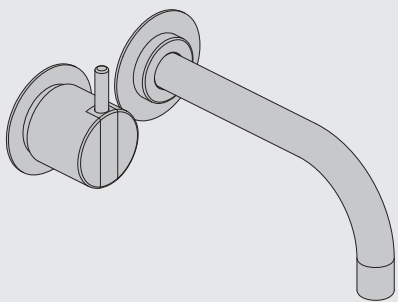


VOLA 100, 100X, 200M, 200, 200V, 300
 VOLA 400DV, 400, 400V, 400N, 400NV, 400T
 VOLA 400TV, 400F, 400FV, 400R, 400RV
 VOLA 2100, 2100X, 2200, 2200V, 2300, 2400
 VOLA 2400V, 2400N, 2400NV, 2400T, 2400TV
 VOLA 2400F, 2400FV, 2400R, 2400RV



Fitting instruction
 Montageanleitung
 Monteringsvejledning

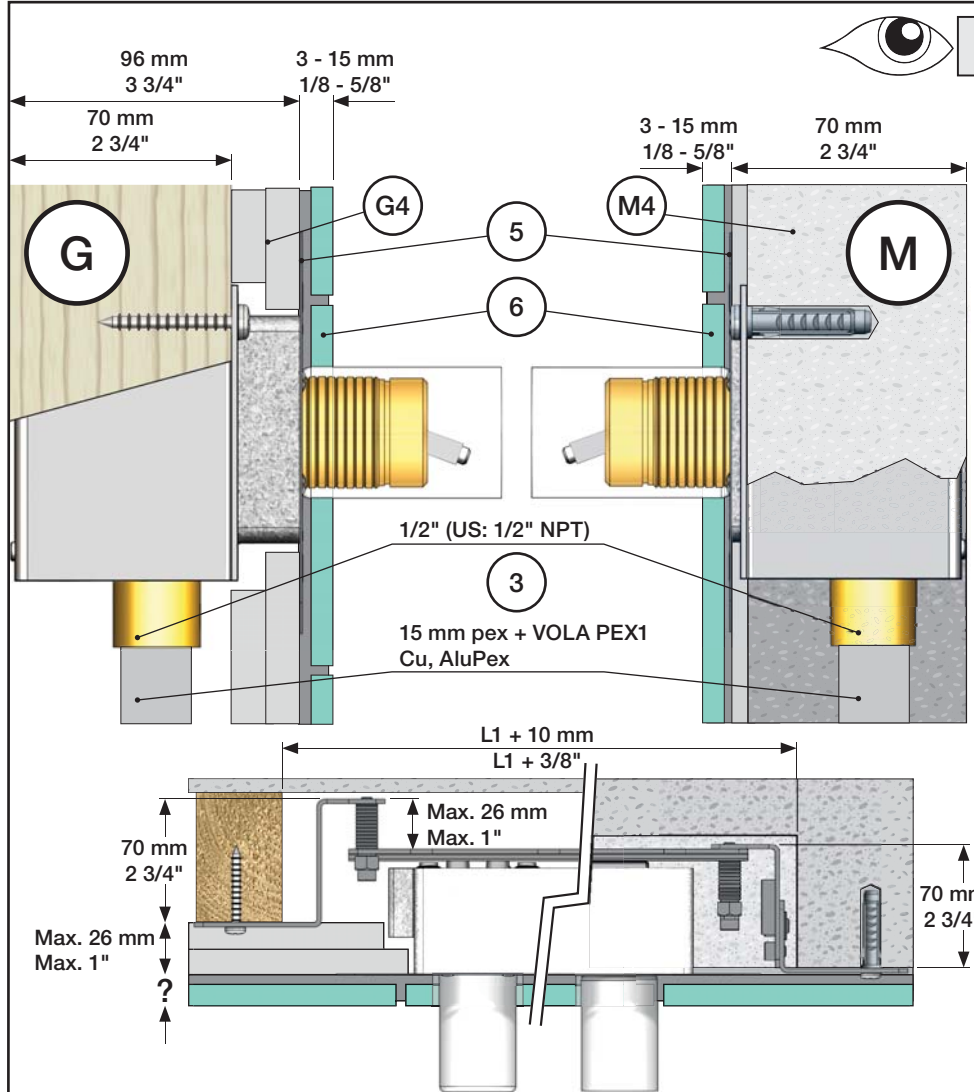
Monteringsvægledning
 Montage hanledning
 Manuel de montage



VA 1.42/18612, VA 1.42/18613, VA 1.42/18614,
 VA 1.42/18615, VA 1.42/18616, VA 1.42/18617

www.vola.com

vola



Data, 3 Bar:

	l/min.	Gal./min.
100:	18,3	4.8
400V:	15,6	4.1
2100:	25,2	6.7
2400V:	22,2	5.9

Max. 65°C, 150°F

Max.: 10 Bar/145 psi

Recommended operating pressure:
 Empfohlener Betriebsdruck:
 Anbefalet driftstryk:
 Rekommenderat arbetstryck:
 Aanbevolen werkdruk:
 Pression de fonctionnement recommandée:

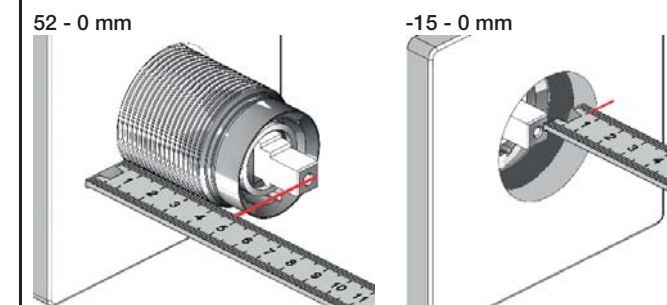
2 - 5 Bar
 29 - 72.5 psi

Extension Verlängerung Forlængerdele Förlängning Verlengstukken Modification

	100/200/300/400	VR1254	VR1400	VR2019
Tiles:	3 - 15 mm	Std.	Std.	Std.
Fliesen:	15 - 25 mm	+10	+10	+10
Fliser:	25 - 35 mm	+20	+20	+20
Tegels:	35 - 45 mm	+30	+30	+30
Carreaux:	45 - 55 mm	+40	+40	+40
	55 - 65 mm	+50	+50	+50

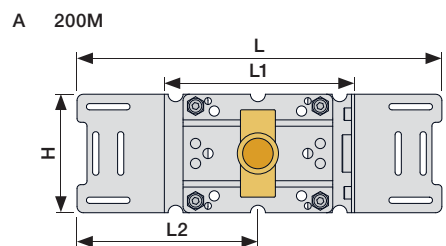
	2100/2200/2300/2400	VR2250	VR1400	VR2019
Tiles:	3 - 15 mm	Std.	Std.	Std.
Fliesen:	15 - 25 mm	+10	+10	+10
Fliser:	25 - 35 mm	+20	+20	+20
Tegels:	35 - 45 mm	+30	+30	+30
Carreaux:	45 - 55 mm	+40	+40	+40
	55 - 65 mm	+50	+50	+50

Extension, retrofit
 Verlängerung, nachträglicher Einbau
 Forlængerdele, eftermontering
 Förlängning, eftermontering
 Aanpassing na montage
 Modification après installation



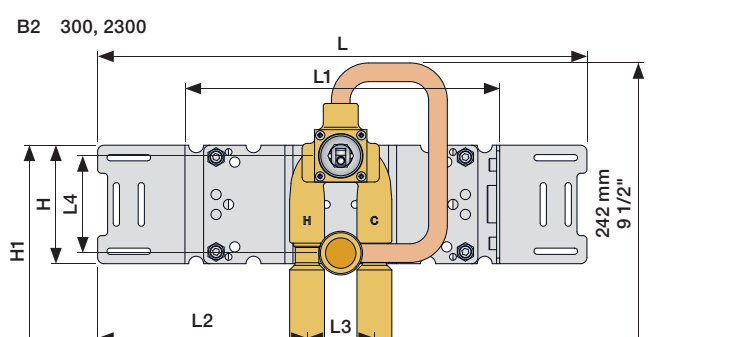
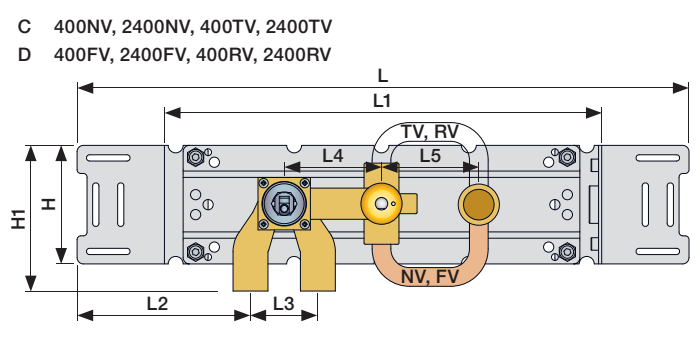
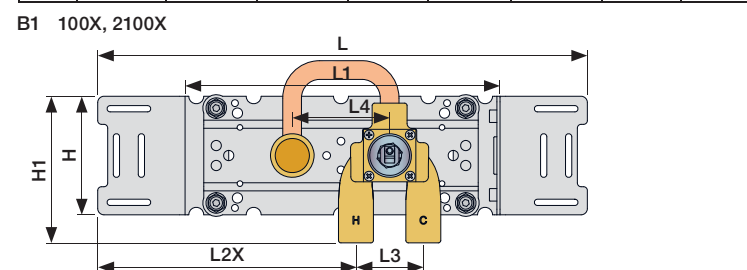
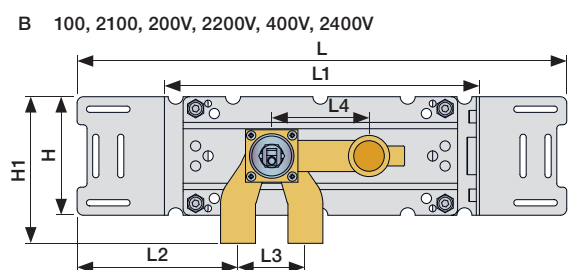
	100/200/300/400	VR1254	VR1400	VR2019
40 - 52 mm	Std.	Std.	Std.	
30 - 40 mm	+10	+10	+10	
20 - 30 mm	+20	+20	+20	
10 - 15 mm	+30	+30	+30	
0 - 10 mm	+40	+40	+40	
-10 - 0 mm	+50	+50	+50	

	2100/2200/2300/2400	VR2250	VR1400	VR2019
35 - 47 mm	Std.	Std.	Std.	
25 - 35 mm	+10	+10	+10	
15 - 25 mm	+20	+20	+20	
5 - 15 mm	+30	+30	+30	
-5 - 5 mm	+40	+40	+40	
-15 - -5 mm	+50	+50	+50	



200:	200V + 200M
400:	400V + 2 x 200M
2400:	2400V + 2 x 200M
400N:	400NV + 200M
2400N:	2400NV + 200M
400T:	400TV + 200M
2400T:	2400TV + 200M
400F:	400FV + 200M
2400F:	2400FV + 200M
400R:	400RV + 200M
2400R:	2400RV + 200M

	L	L1	L2	L3	L4	L5	H	H1
A	295 mm 11 1/2"	160 mm 6 1/2"	145 mm 5 3/4"	-	-	-	95 mm 3 3/4"	-
B			129 mm 5"					120 mm 4 3/4"
B1	395 mm 15 1/2"	260 mm 10"	207 mm 8 1/8"					175 mm 6 7/8"
B2			168 mm 6 5/8"	54 mm 2 1/8"	78 mm 3 1/16"		78 mm 3 1/16"	120 mm 4 3/4"
C	490 mm 19 1/2"	355 mm 14"	139 mm 5 1/2"				156 mm 6 1/8"	
D	570 mm 23"	435 mm 17"						



Fitting of extension
 Montage von verlängerung

Montering af forlængerdele
 Montering av förlängning

Montage van de verlengstukken
 Montage des rallonges

