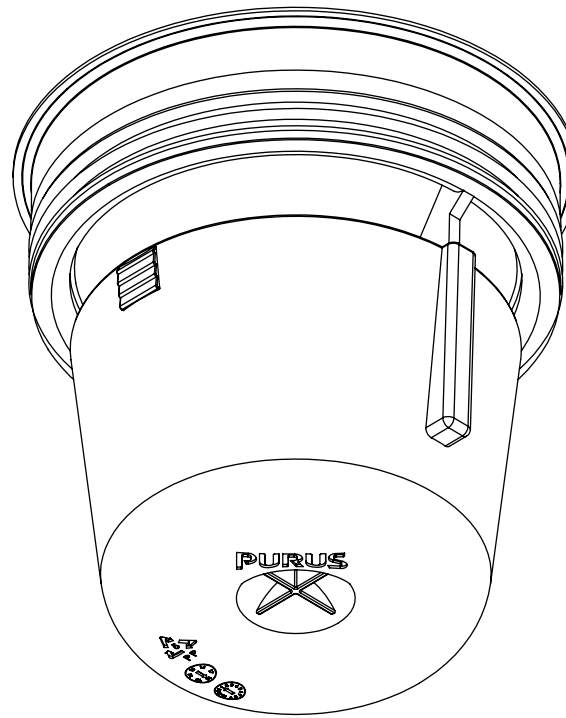
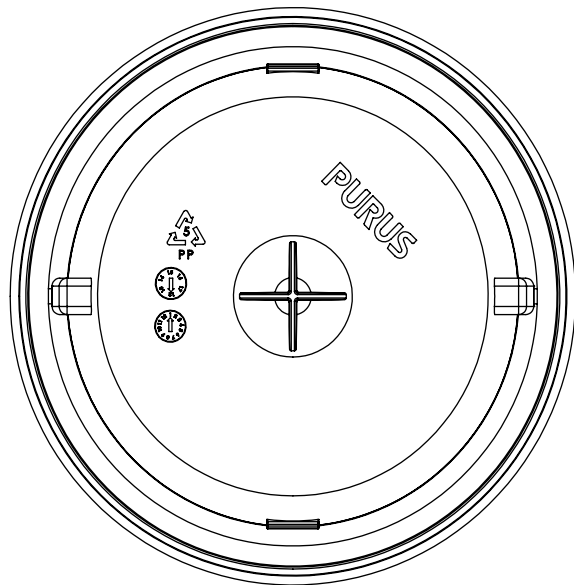
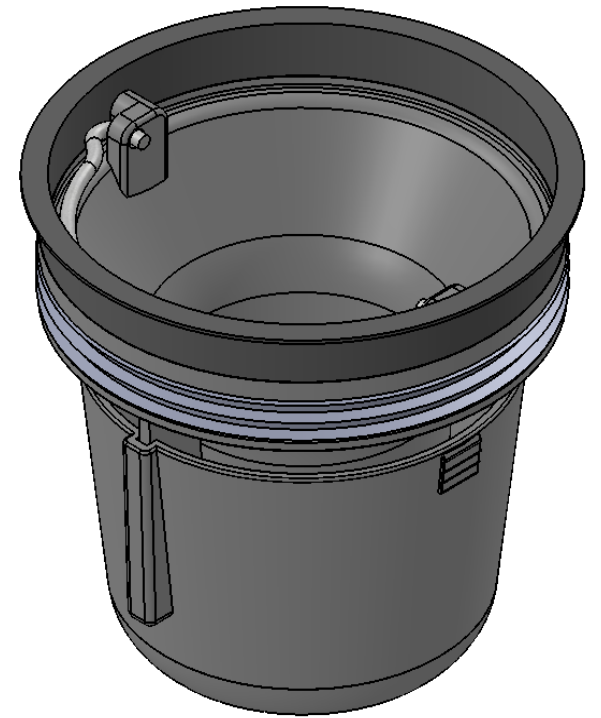


SECTION A-A
SCALE 1:1



Annotation		-		A4		This drawing replace		Replaced by		Date	
Material		Plast		Scale		1:2		Page		1(1)	
General tolerance: ISO 2768-1		-		Weight (gram)		-		Volume (cm3)		-	
Surface treatment		-		Designer		GUF		Created date		2015	
Name		FlexOne		Article no		153453-416		Edition		1	
PURUS		PURUS A/S Farum Gydevej 71 DK-3520 Farum, Danmark Tlf. +45 4616 1919 Fax. +45 4616 1910 www.purus.dk									