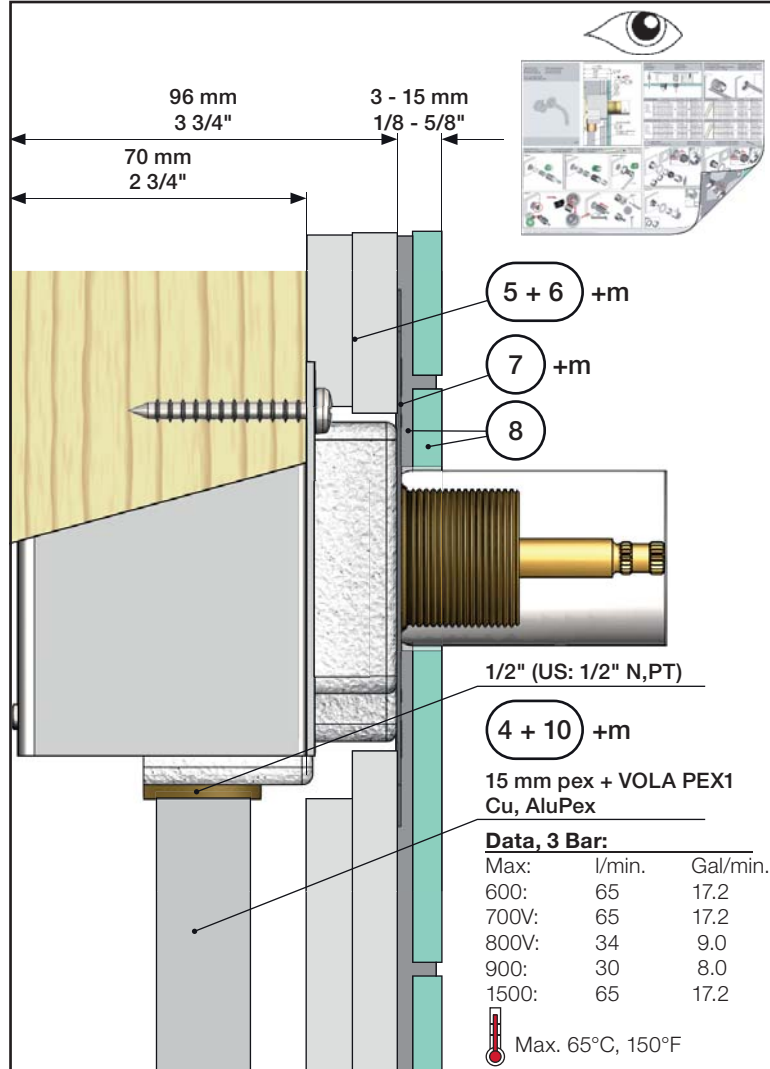
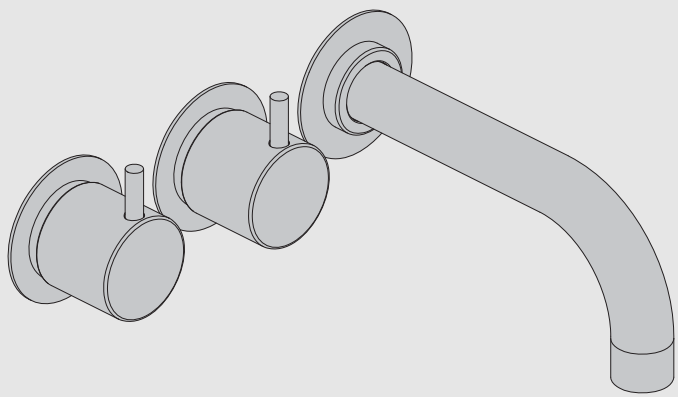


VOLA 600, 700, 700V, 900, 1500
 VOLA 800, 800V, 800N, 800NV, 800T, 800TV
 VOLA S20V, S40V

Fitting instruction
 Montageanleitung
 Monteringsvejledning

Monteringsvægledning
 Montage hanleiding
 Manuel de montage



1/2" (US: 1/2" N,PT)

4 + 10 +m

15 mm pex + VOLA PEX1
 Cu, AluPex

Data, 3 Bar:

| | | |
|-------|--------|-----------|
| Max: | l/min. | Gal./min. |
| 600: | 65 | 17.2 |
| 700V: | 65 | 17.2 |
| 800V: | 34 | 9.0 |
| 900: | 30 | 8.0 |
| 1500: | 65 | 17.2 |

Max. 65°C, 150°F

VA 1.42/19069, VA 1.42/19822, VA 1.42/19823,
 VA 1.42/19827, VA 1.42/19828

www.vola.com

vola

Extension
 Verlängerung
 Forlængerdele

Förlängning
 Verlengstücken
 Modification

VR697
 VR698

600, 700V, 800V: 2xVR697
 1500: 1xVR697+1xVR698
 900: 1xVR697

| | VR697: | VR1400: | VR2019: |
|-----------|---------------------|-----------|-----------|
| Tiles: | 3 - 15 mm Standard | Standard | Standard |
| Fliesen: | 15 - 25 mm VR697+10 | VR1400+10 | VR2019+10 |
| Fliser: | 25 - 35 mm VR697+20 | VR1400+20 | VR2019+20 |
| Fliser: | 35 - 45 mm VR697+30 | VR1400+30 | VR2019+30 |
| Tegels: | 45 - 55 mm VR697+40 | VR1400+40 | VR2019+40 |
| Carreaux: | 55 - 65 mm VR697+50 | VR1400+50 | VR2019+50 |

Extension, retrofit
 Verlängerung, nachträglicher Einbau
 Forlængerdele, eftermontering

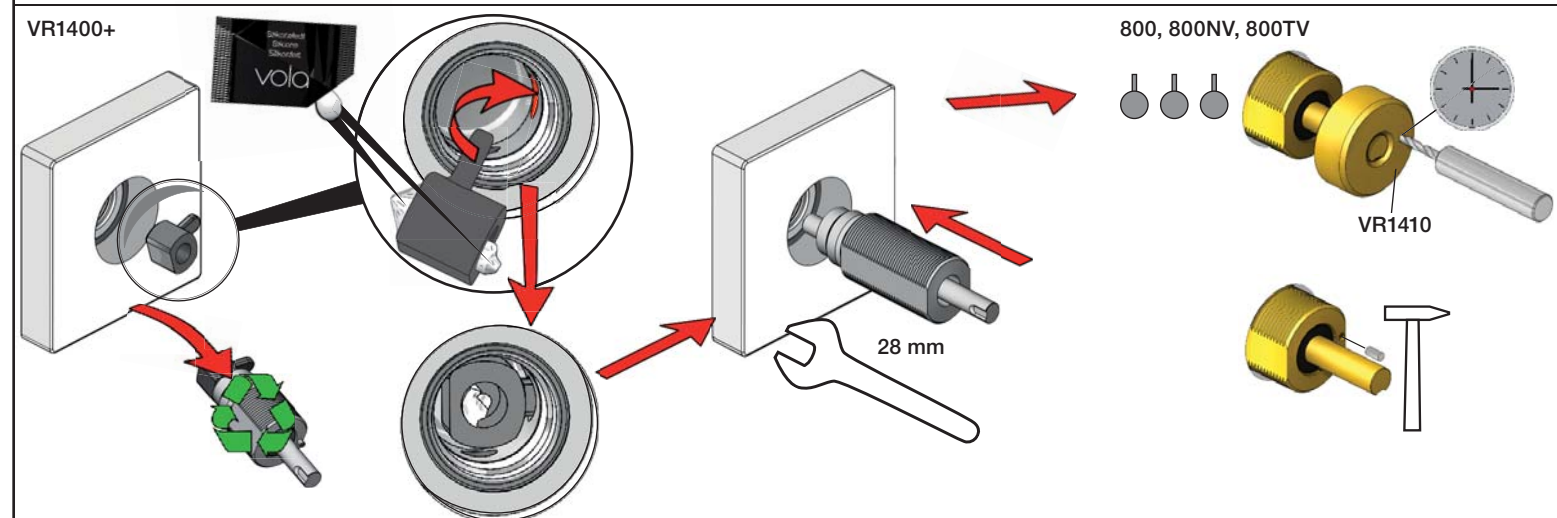
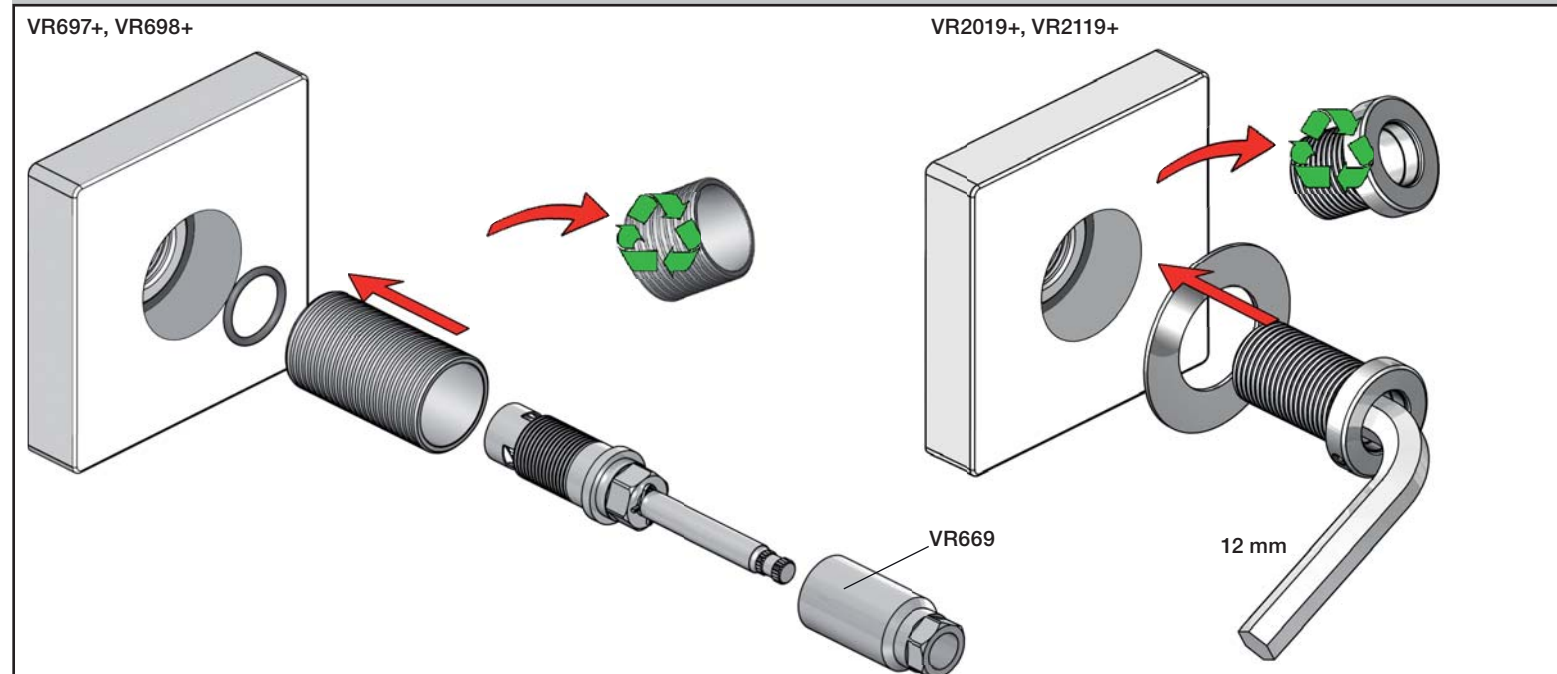
Förlängning, eftermontering
 Aanpassing na montage
 Modification après installation

| | VR697: | VR1400: | VR2019: |
|---------------|----------|-----------|-----------|
| 39 - 54 mm | Standard | Standard | Standard |
| 29 - 39 mm | VR697+10 | VR1400+10 | VR2019+10 |
| 19 - 29 mm | VR697+20 | VR1400+20 | VR2019+20 |
| 9 - 19 mm | VR697+30 | VR1400+30 | VR2019+30 |
| 9 - (-1) mm | VR697+40 | VR1400+40 | VR2019+40 |
| -1 - (-11) mm | VR697+50 | VR1400+50 | VR2019+50 |

Fitting of extension
 Montage von verlängerung

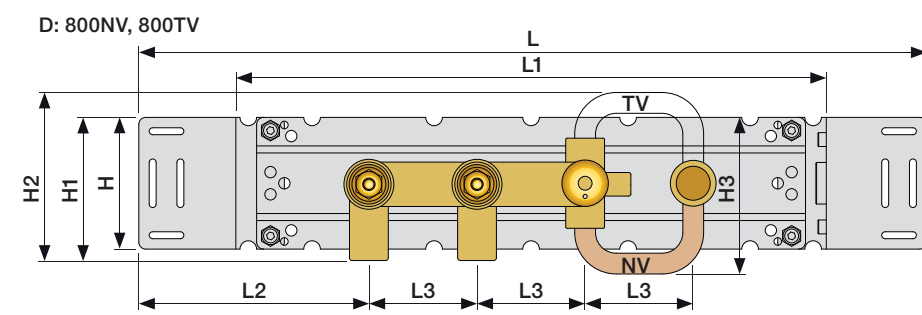
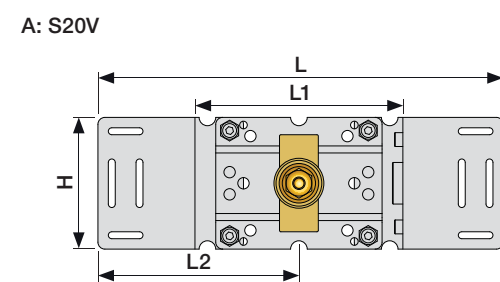
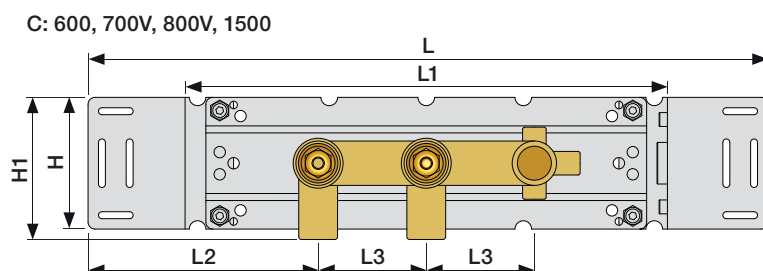
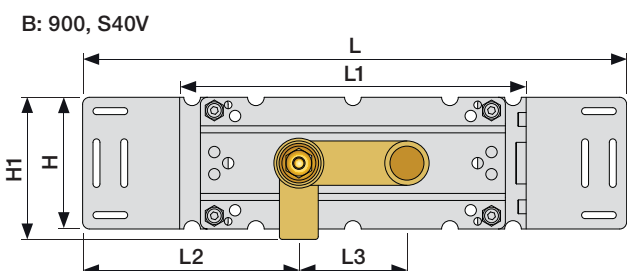
Montering af forlængerdele
 Montering av förlängning

Montage van de verlengstukken
 Montage des rallonges

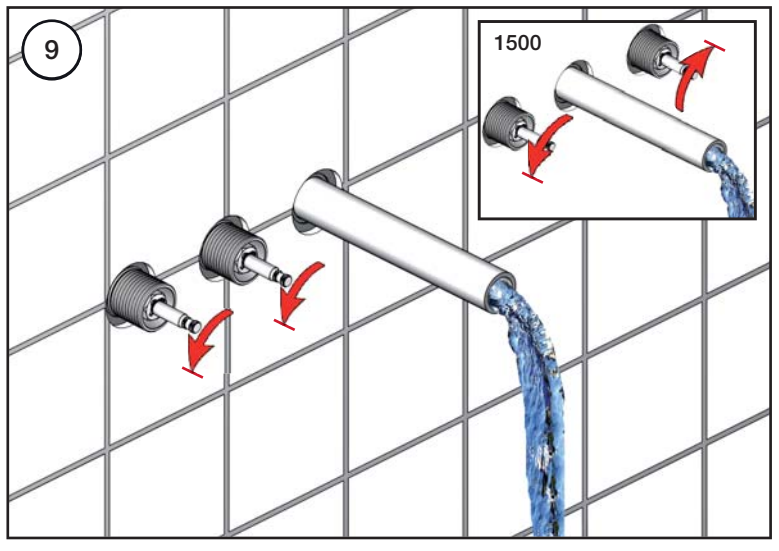
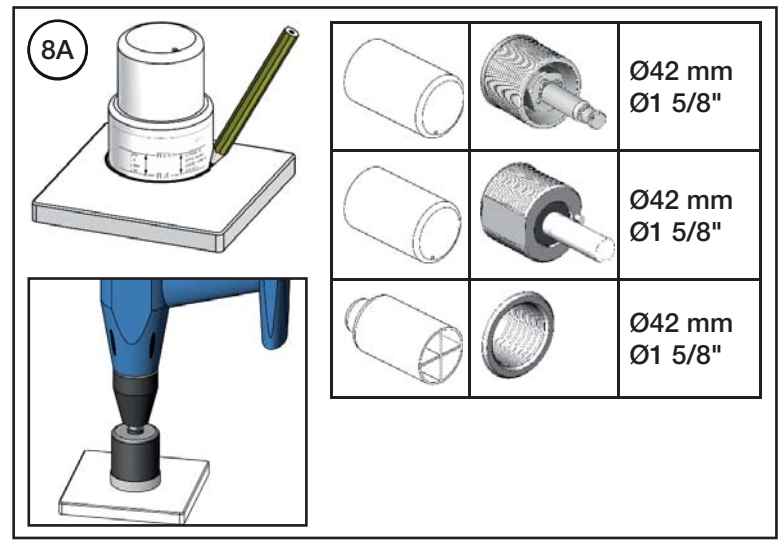
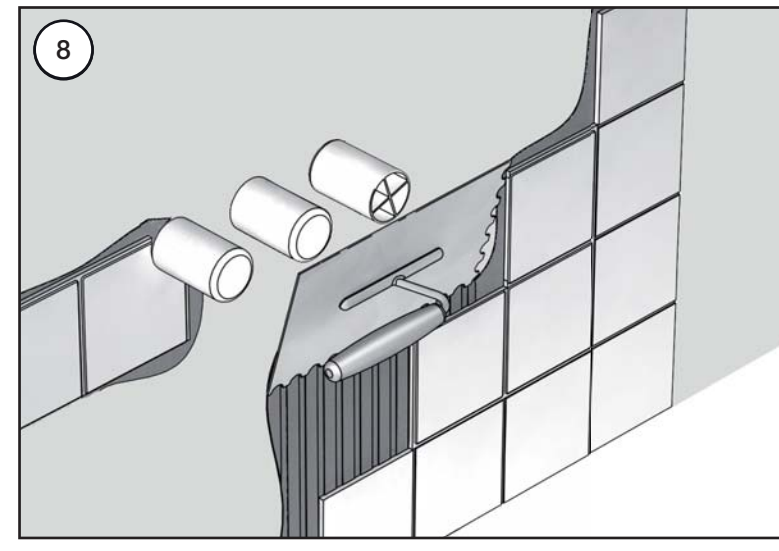
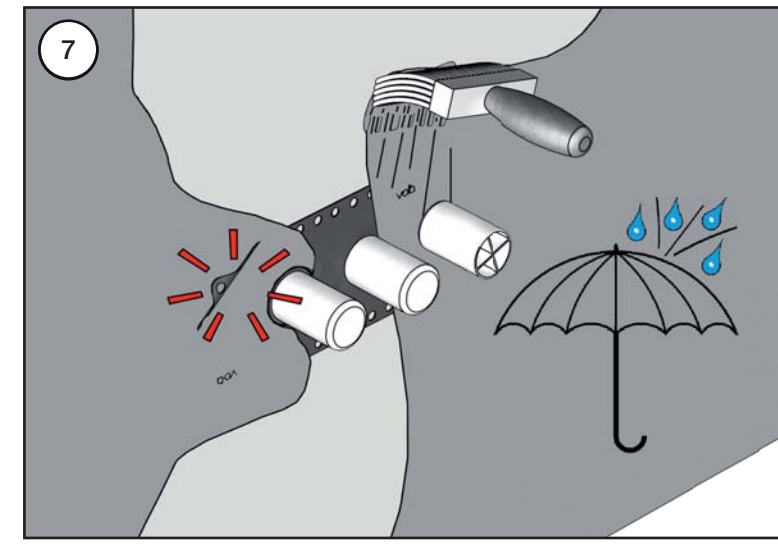
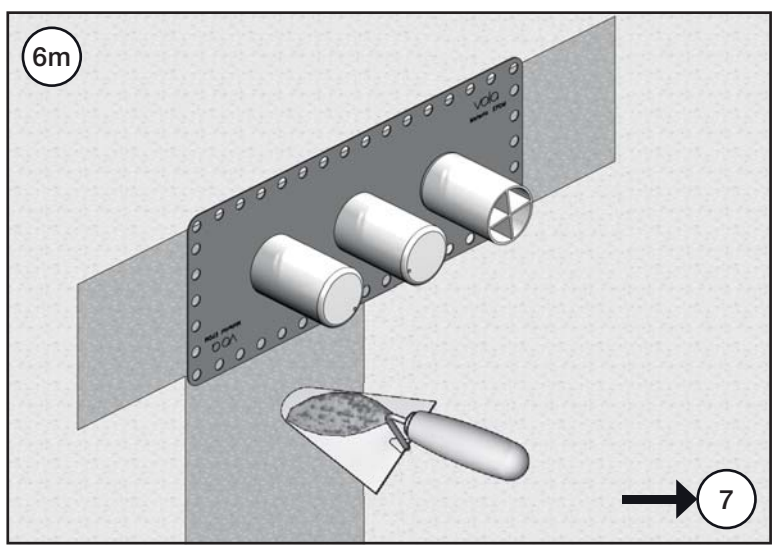
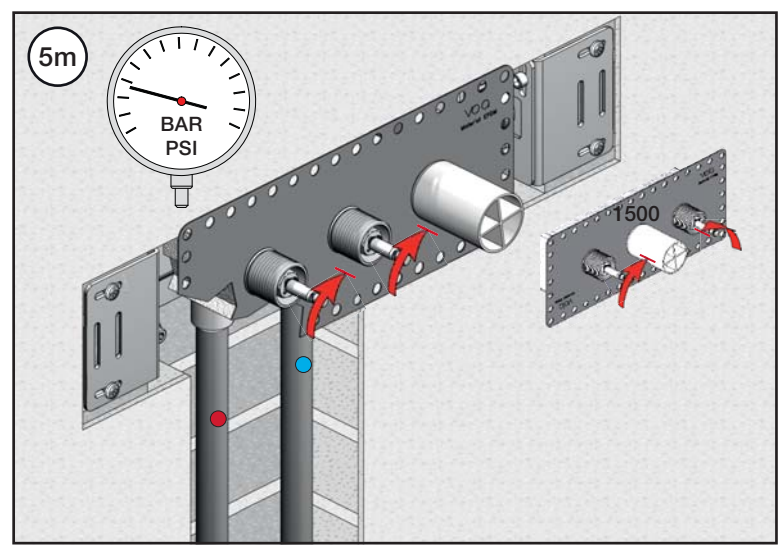
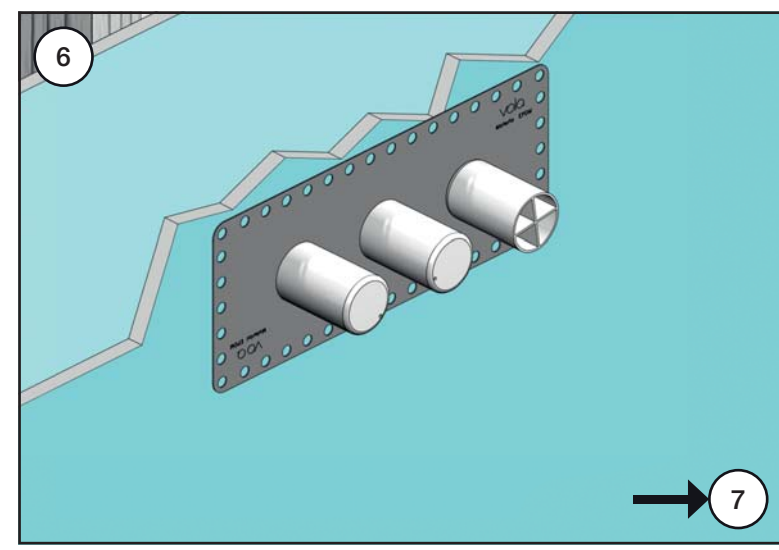
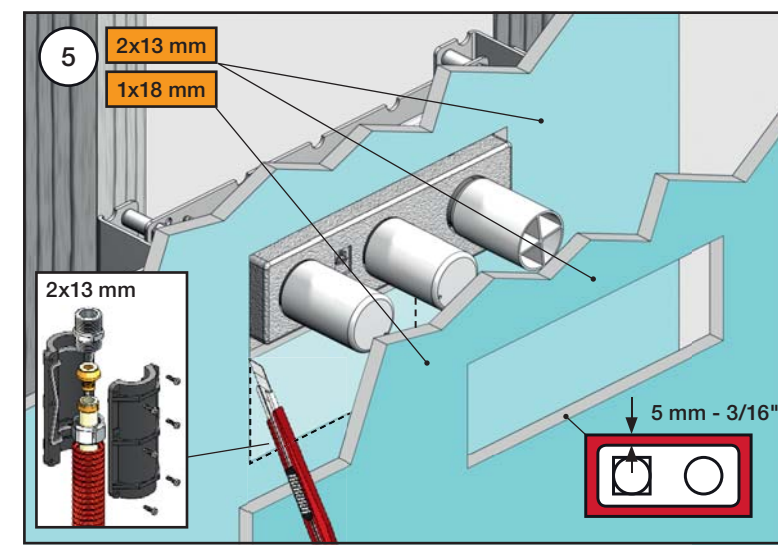
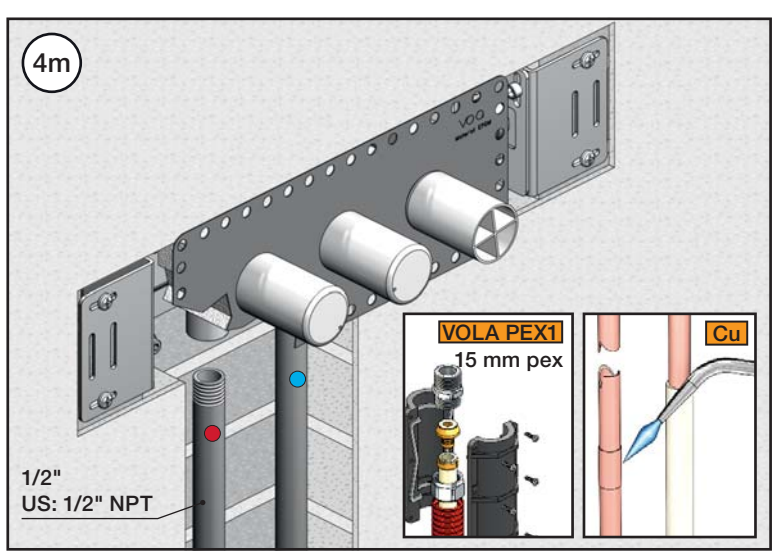
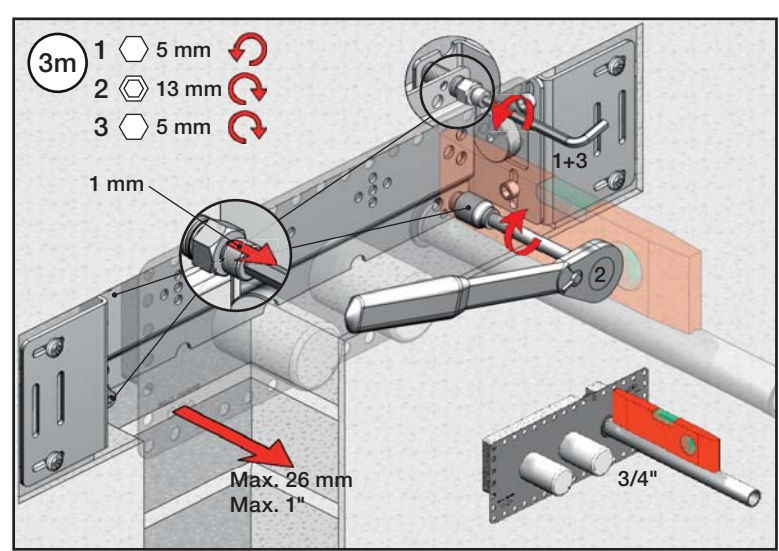
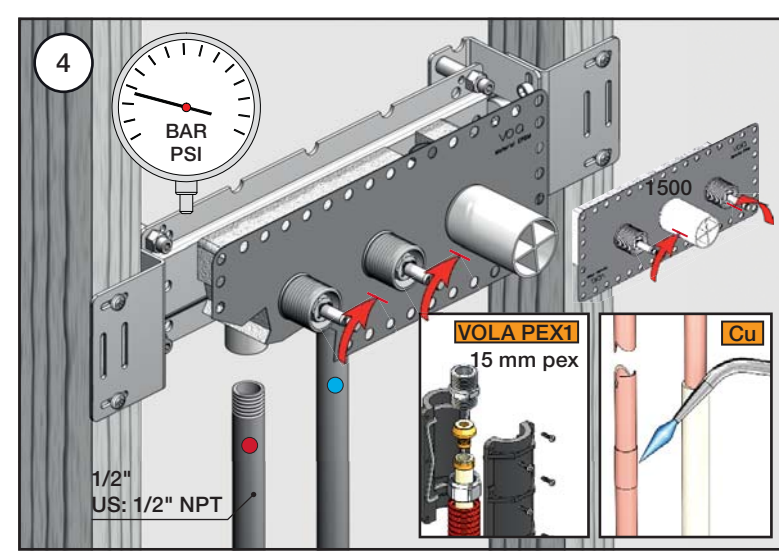
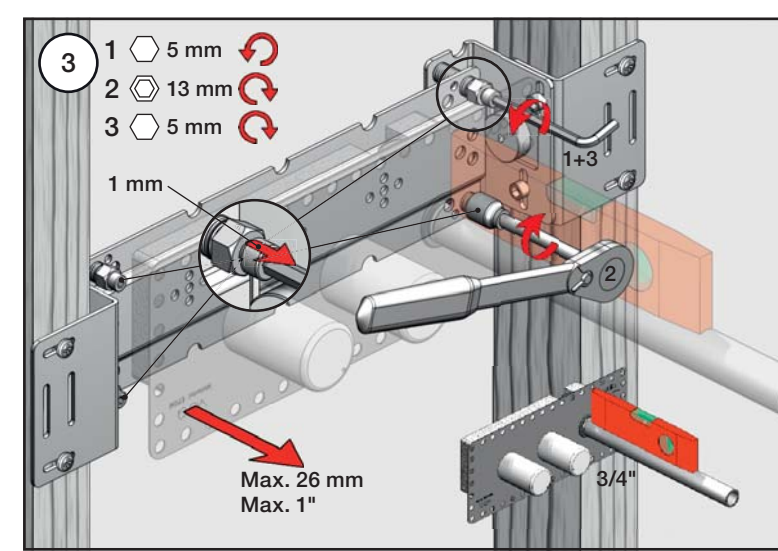
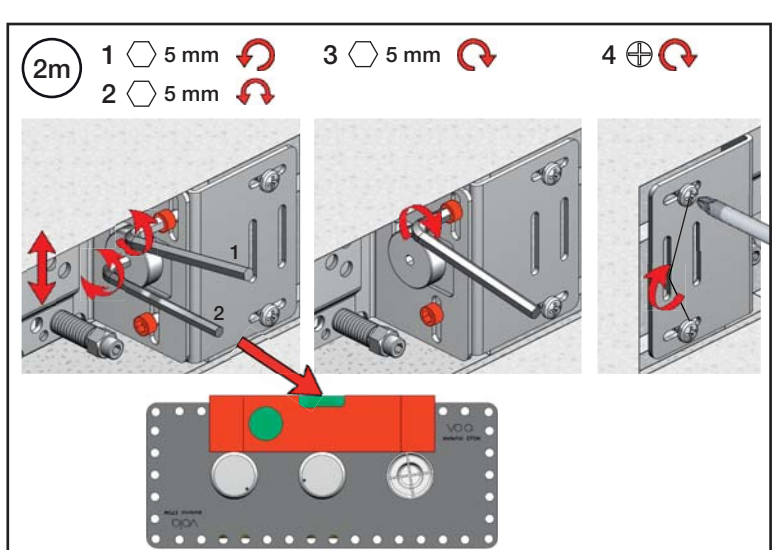
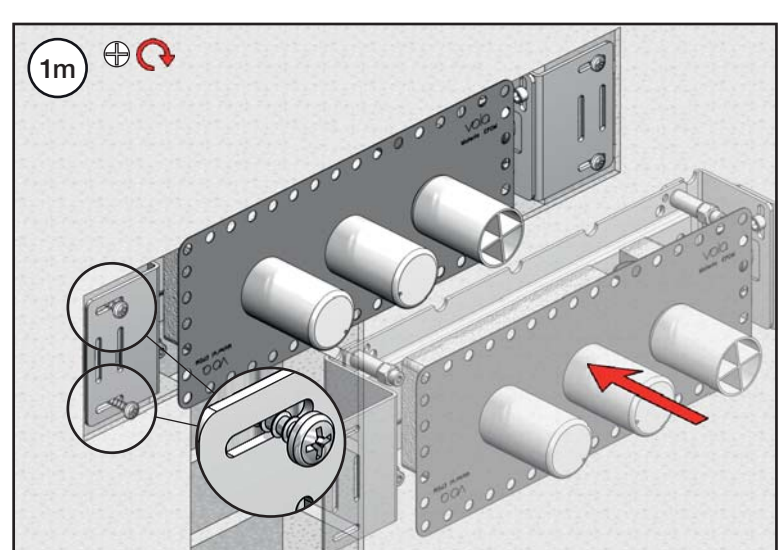
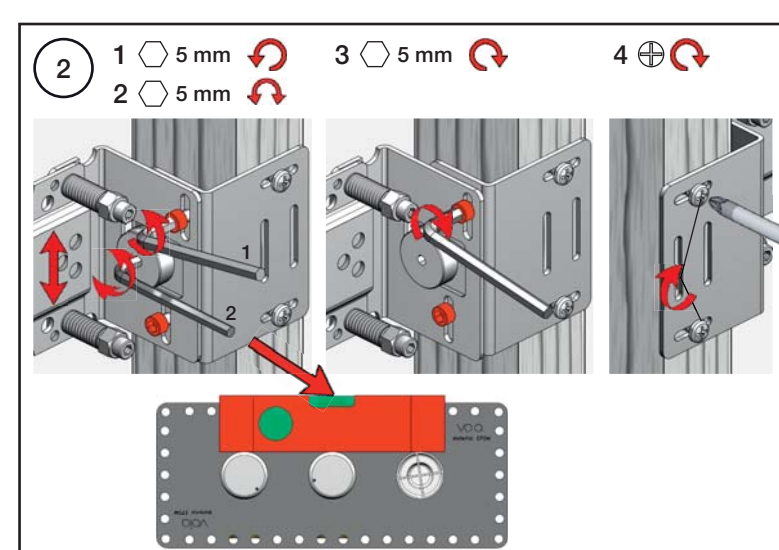
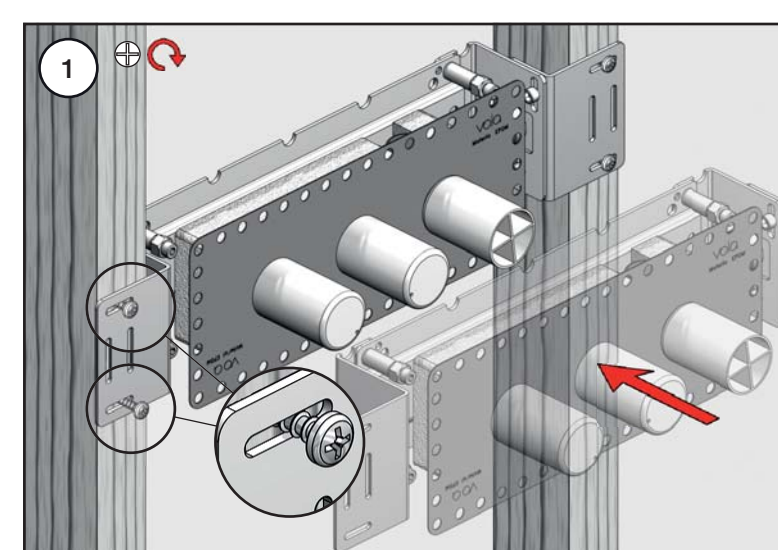


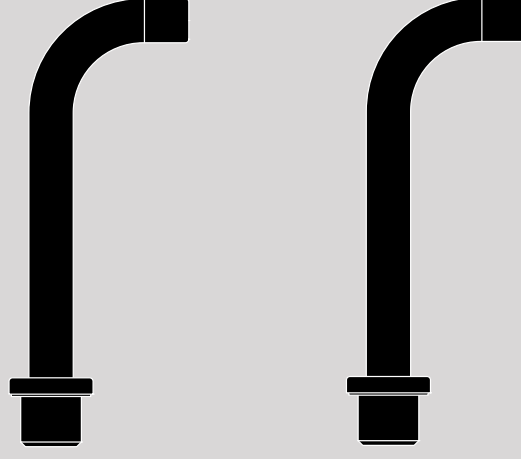
700: 700V + 200M
 800: 800V + 2 x 200M
 800N: 800NV + 200M
 800T: 800TV + 200M

| | L | L1 | L2 | L3 | H | H1 | H2 | H3 |
|---|-------------------|------------------|------------------|------------------|-----------------|--------------|------------------|------------------|
| A | 295 mm 11 1/2" | 160 mm 6 1/2" | 145 mm 5 3/4" | - | 95 mm 3 3/4" | 103 mm 4" | - | - |
| B | 395 mm 15 1/2" | 260 mm 10" | 156 mm 6 1/8" | - | | | - | - |
| C | 490 mm 19 1/2" | 355 mm 14" | 166 mm 6 1/2" | 78 mm 3 1/16" | | | - | - |
| D | 570 mm 23" | 435 mm 17" | - | - | | | 122 mm 4 3/4" | 113 mm 4 1/2" |



600-1500_V2 40999852





AUSTRALIA
 Hais Trading Pty Ltd
 2633 Fernwood Street
 Darlinghurst
 NSW 2010 Sydney
 Tel: 2 9360 2722
 Fax: 2 9356 4042
 info@hais.com.au
 www.dedece.com

BELGIË
 OLA D'Yvo
 Yvo
 Havenlaan 86C
 1000 - Brussels
 Tel: 03 440 46 19
 Fax: 03 448 22 04
 sales@vola.be
 www.vola.be

CANADA
 Gingers Bath
 1000 West Beaver Creek
 Toronto, Ontario
 M9B 4L9
 Tel: 416-787-1787
 Fax: 416-787-1748
 gingers@gingersbath.com
 www.elta.com

CHINA
 Badeluxe Trading Limited
 Basement 3
 CFCO Plaza
 No. 8 Jian Guo Men Nei Avenue
 Dong Cheng District
 Beijing 100005 China
 Tel: (86) 010 6526 1363
 Fax: (86) 010 6526 1373
 info@badeluxe.com

DANMARK
 VOLA A/S
 Rindøvej 1
 8700 Hjørslev
 Tel: + 45 70 23 55 00
 Fax: + 45 70 23 55 11
 sales@vola.dk
 www.vola.dk

DEUTSCHLAND
 VOLA GmbH
 Schwanthaler Straße 75A
 80335 München
 Tel: 089/598959-0
 Fax: 089/598959-80
 vola@vola.de
 www.vola.de

ESPAÑA
 DEE
 Carrer del Palars, 6 - 4ª 1ª
 E-08402 Granollers, Barcelona
 Tel: +34 93 91 105 535
 Fax: +34 93 91 105 535
 comco@comco.es
 www.vola.es

ESTONIA
 Hais Interiors OÜ
 Kadaka tee 42H
 12915 Tallinn
 Tel: 71 514 10
 Fax: 71 514 11
 hais@hais.ee
 www.hais.ee

FRANCE
 sophia bath
 4 rue de la Harpe
 75009 Paris
 Tel: 01 42 81 25 85
 Fax: 01 40 16 45 18
 sophia@sophia.fr
 www.sophia.fr

GREAT BRITAIN
 VOLA UK Ltd
 Unit 12, Amphill Business Park
 Station Road, Amphill
 Bedfordshire MK45 2QW
 Tel: 01525 84 11 55
 Fax: 01525 84 11 77
 sales@vola.co.uk
 www.vola.co.uk

HELLAS
 moda bagno s.a.
 50 Anapafseos Street
 Vrilissa 15 235, Athens
 Tel: 210 6367000
 Fax: 210 6367000
 M&B 419
 info@modabagno.gr
 www.modabagno.gr

HONG KONG
 porfolio group limited
 Seabright Plaza
 9-23 Shell Street
 Hong Kong
 Tel: 28 680 765
 Fax: 25 247 887
 sales@pfltd.com.hk
 www.pfltd.com.hk

ISLAND
 Tengli ehf.
 Smidjuvegur 76
 200 Kopavogur
 Tel: 414-1000
 Fax: 414-1001
 www.tengli.is

ITALIA
 RAPSEL Spa
 Via Volta, 13
 20019 Sestimere
 Milano (MI)
 Tel: 02 33501306
 Fax: 02 33501306
 rapsel@rapsel.it
 www.rapsel.it

KOREA
 E.L. System Co. Ltd.
 1000 Jung B'D
 898-12
 Bangbae 1dong
 Seocho-Gu
 Seoul
 Tel: 82-2-598-4517
 Fax: 82-2-521-3786

KYPRIAKI DIMOKRATIA
 Hais Interiors Ltd
 3, Gregorou Karekia str.
 Strovolos
 P.O. Box 21703
 1512 Nicosia
 Tel: 22 813 200
 Fax: 22 424 803
 info@hais.com.cy

LATVIA
 Hais Trading Ltd.
 Aizkraules Street 3
 1004 Riga
 Tel: 7629561
 Fax: 7627190
 info@haislv.com
 www.hais.lv

LEBANON
 Gearch Group
 Street El-Faraj
 Gearchan Building
 Hayek Round About
 Beirut
 Tel: 01-480 520
 Fax: 01-496 607
 info@gearchgroup.com
 www.gearchgroup.com

MEXICO
 Productos de Latón
 de Alta Calidad SA de CV
 General Juan Cano 27 1
 San Miguel Chapultepec
 MX-11850 México D.F.
 Tel: 01800 2253946
 Fax: 01655 26 14 9312
 p.lacasa@prodlaton.com
 www.prodlaton.com

NETHERLAND
 VOLA Sanitair BV
 Valkenburgstraat 23
 1011 MG Amsterdam
 Tel: 020 36 56 356
 Fax: 020 36 56 482
 info@vola.com
 www.vola.com

NIPPON
 Cera Trading Co., Ltd
 TOTO Nogizaka BLDG., 1-24-3
 Minato-Ku
 Tokyo 107-0069
 Tel: 81-3-3402-6151
 Fax: 81-3-3402-7185
 www.cera.co.jp

NORGE
 shelby teknikk as
 Strandgaten 55
 4370 Eggesund
 Tel: 51 46 18 01
 Fax: 51 46 18 01
 post@shelby.no
 www.shelby.no

ÖSTERREICH
 VOLA Vertriebs GmbH
 Kandlgasse 19
 1070 Wien
 Tel: 01 528 39 71-0
 Fax: 01 528 39 71-20
 info@vola.at
 www.vola.at

PORTUGAL
 CARVALHO, BATISTA & Ca, Sa.
 Rua do Almada
 29-19-89 Apartado 4784
 2915-110 Faro
 Tel: 22 339 21 26 / 7 / 9
 Fax: 22 205 36 11
 carvalhobatista@mail.telepac.pt
 www.carvalhobatista.com

SCHWEIZ
 Hais Trading Ltd.
 Müstlistr. 48
 8320 Fehraltorf
 Tel: 044/955 18 18
 Fax: 044/955 18 19
 sales@vola.ch
 www.vola.ch

SINGAPORE
 Volumetive Pte Ltd.
 Thomson Road,
 401-501 Centre,
 Singapore 079904
 Tel: +65 6348 2508
 Fax: +65 6348 2507
 sales@volumetivehome.com

SLOVENIA
 Moderna d.o.o.
 Perlečeva 31
 SI-1000 Ljubljana
 Tel: 01 25 66 01 95
 Fax: +386 236 21 83
 info@moderna.si
 www.moderna.si

SOUTH AFRICA
 Still the bathroom gallery
 Unit 111A, The Foundry
 Green Point Cape Town
 South Africa 8070/2
 Tel: 021 421 9970
 Fax: 021 421 9971
 info@stillbathrooms.co.za
 www.stillbathrooms.co.za

SUOMI
 INNO-TUOTE OY
 Main office and production
 TAHDENLONKONTIE 9
 02240 Eerikki
 Tuusula
 Tel: 09 8870 380
 Fax: 09 8870 3833
 info@innointerior.fi
 www.inno.fi

SVERIGE
 VOLA ab
 Ruddammsgatan 14, 2
 S-803 20 Gävle
 Tel: 026-140230
 Fax: 026-140231
 sales@vola.se
 www.vola.se

UNITED ARAB EMIRATES
 Sanipex LLC
 Sheik Zayed Road
 P.O. Box 30871
 Dubai
 Tel: 971 4 338 5660
 Fax: 971 4 339 5671
 www.sanipexdubai.com

UNITED STATES
 Haisrugs Tile and Bath Collection
 30 Commercial Street
 Freeport, NY 11520
 Tel: 516-379-8500
 Tel: 800-351-0088
 Fax: 516-223-8495
 vols@haisrugs30.com
 www.haisrugs30.com

SCHWEDEN
 INNO-TUOTE OY
 Main office and production
 TAHDENLONKONTIE 9
 02240 Eerikki
 Tuusula
 Tel: 09 8870 380
 Fax: 09 8870 3833
 info@innointerior.fi
 www.inno.fi

SLOVENIJA
 Moderna d.o.o.
 Perlečeva 31
 SI-1000 Ljubljana
 Tel: 01 25 66 01 95
 Fax: +386 236 21 83
 info@moderna.si
 www.moderna.si

SOUTH AFRICA
 Still the bathroom gallery
 Unit 111A, The Foundry
 Green Point Cape Town
 South Africa 8070/2
 Tel: 021 421 9970
 Fax: 021 421 9971
 info@stillbathrooms.co.za
 www.stillbathrooms.co.za

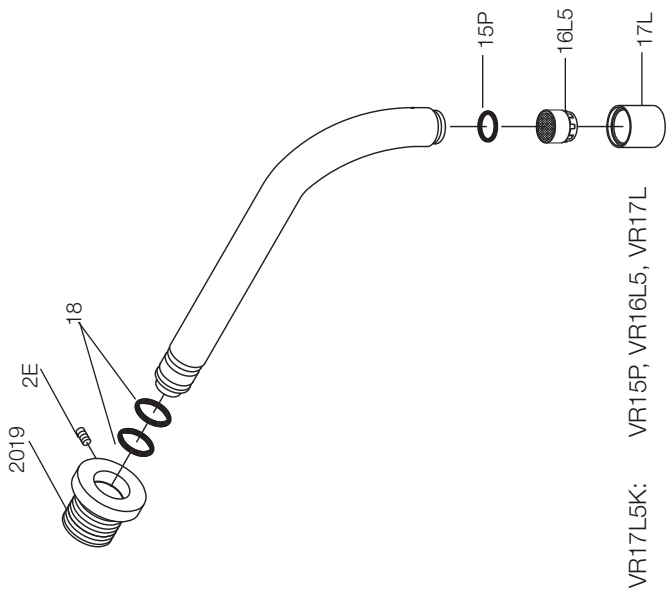
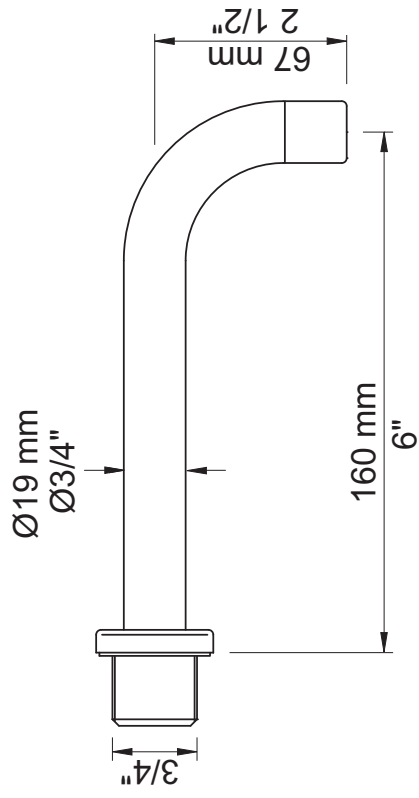
SUOMI
 INNO-TUOTE OY
 Main office and production
 TAHDENLONKONTIE 9
 02240 Eerikki
 Tuusula
 Tel: 09 8870 380
 Fax: 09 8870 3833
 info@innointerior.fi
 www.inno.fi

SVERIGE
 VOLA ab
 Ruddammsgatan 14, 2
 S-803 20 Gävle
 Tel: 026-140230
 Fax: 026-140231
 sales@vola.se
 www.vola.se

UNITED ARAB EMIRATES
 Sanipex LLC
 Sheik Zayed Road
 P.O. Box 30871
 Dubai
 Tel: 971 4 338 5660
 Fax: 971 4 339 5671
 www.sanipexdubai.com

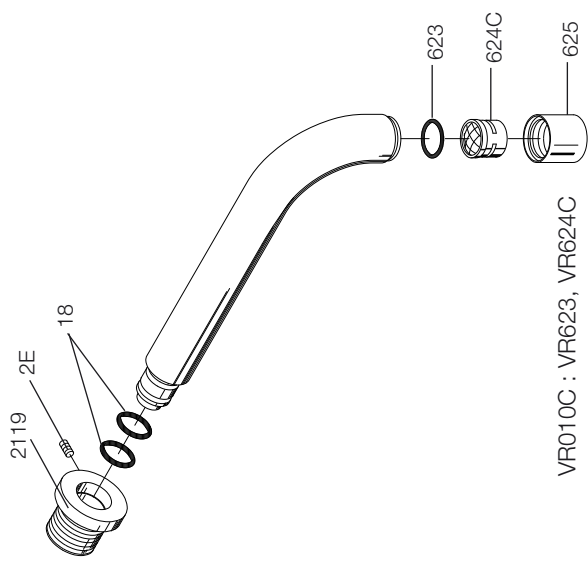
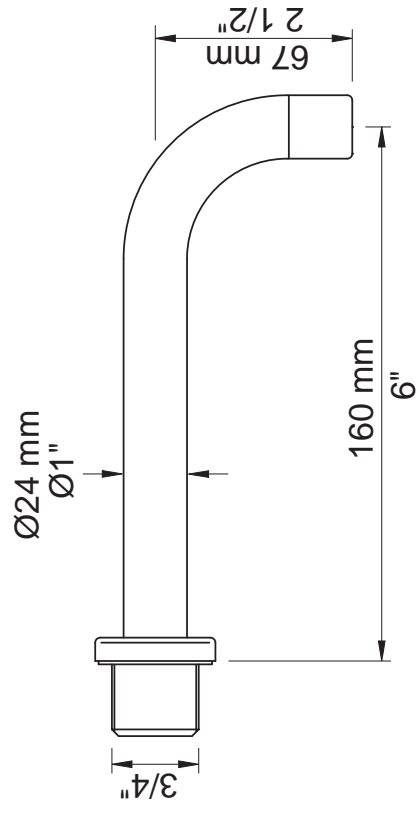
UNITED STATES
 Haisrugs Tile and Bath Collection
 30 Commercial Street
 Freeport, NY 11520
 Tel: 516-379-8500
 Tel: 800-351-0088
 Fax: 516-223-8495
 vols@haisrugs30.com
 www.haisrugs30.com

VOLA 010



VR17L5K: VR15P, VR16L5, VR17L

VOLA 010C



VR010C : VR623, VR624C