

**Installationsvejledning  
Montageanweisung  
Installation instruction  
Instructions d'installation  
Istruzioni di installazione  
Installatie- -instructies  
Instrucciones de instalación  
Asennusohjeet**

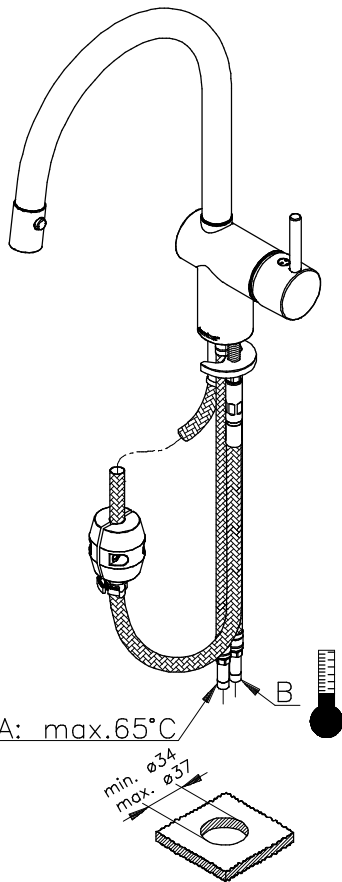
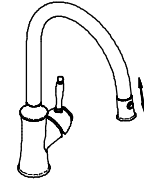
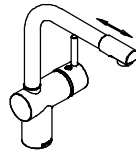
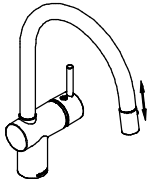
**damixa™**

Østbirkvej 2, 5240 Odense NØ, Denmark  
Tel. +45 63 102 210  
E-mail: damixa@fmm-mora.com  
Homepage: www.damixa.com

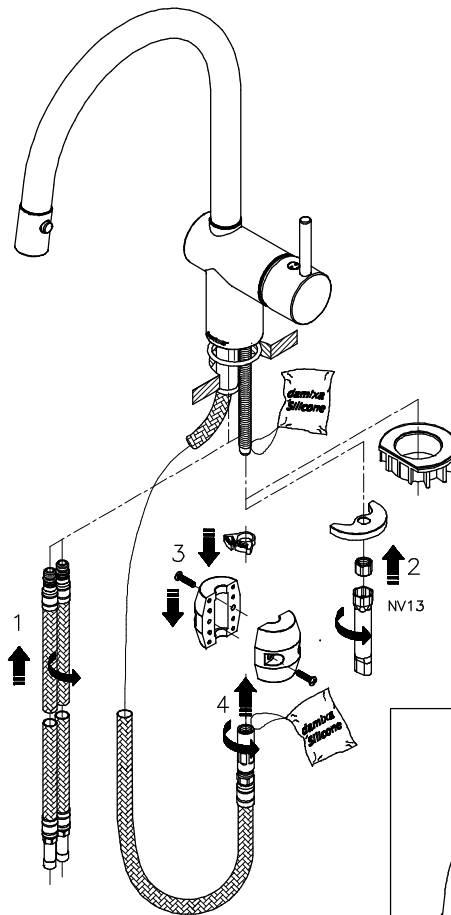
Инструкция по установке

02.16

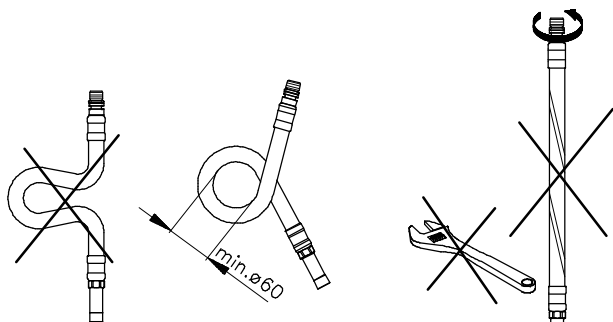
20123.00



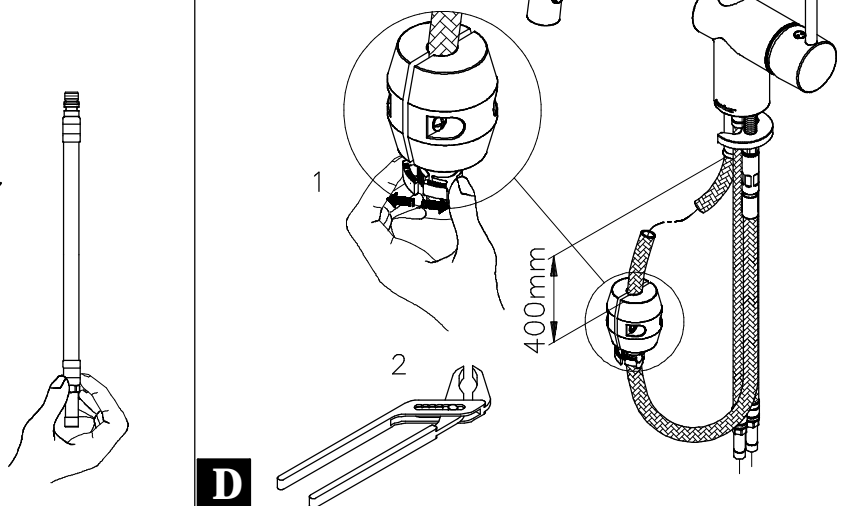
**A** A,B: 50–1000 kPa (0.5–10 bar)



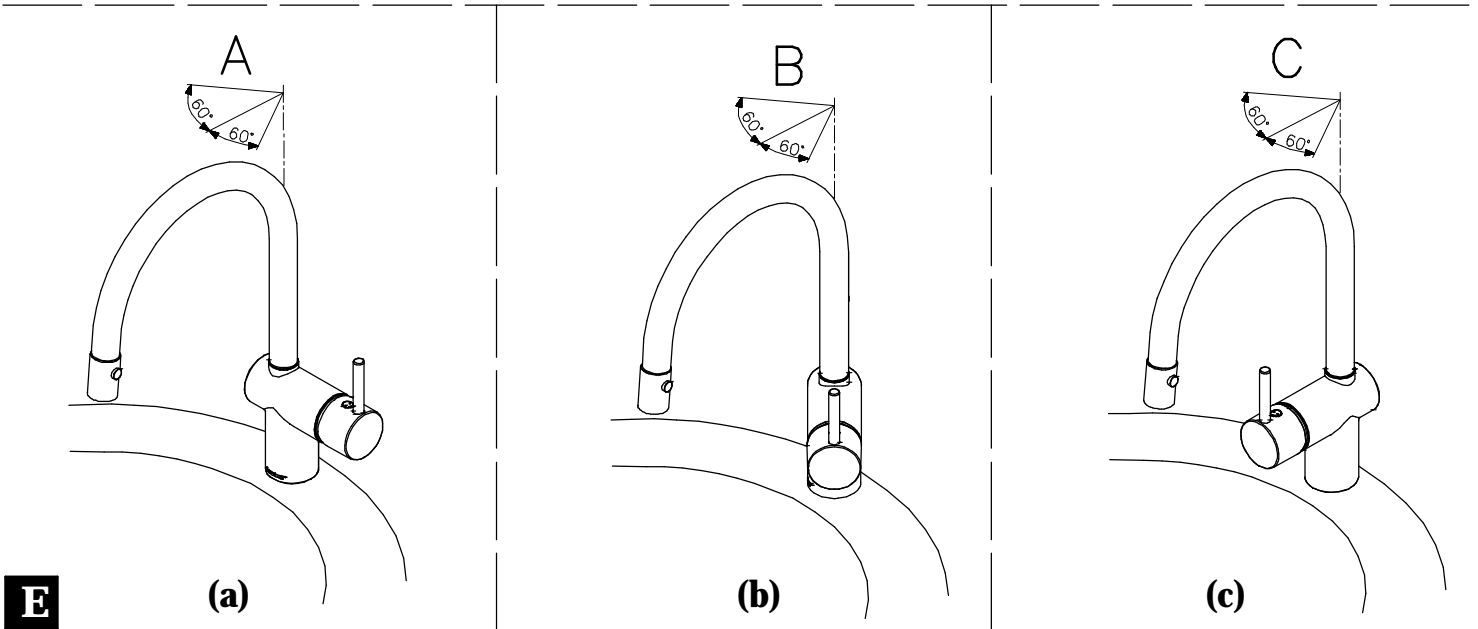
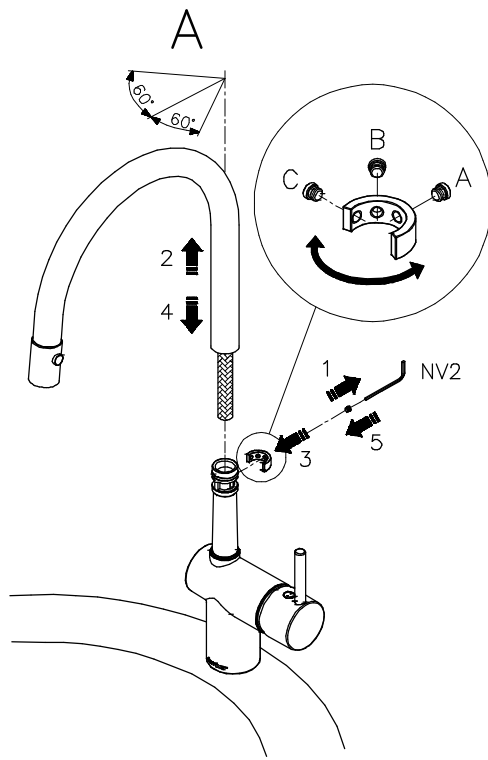
**B**



**C**



**D**

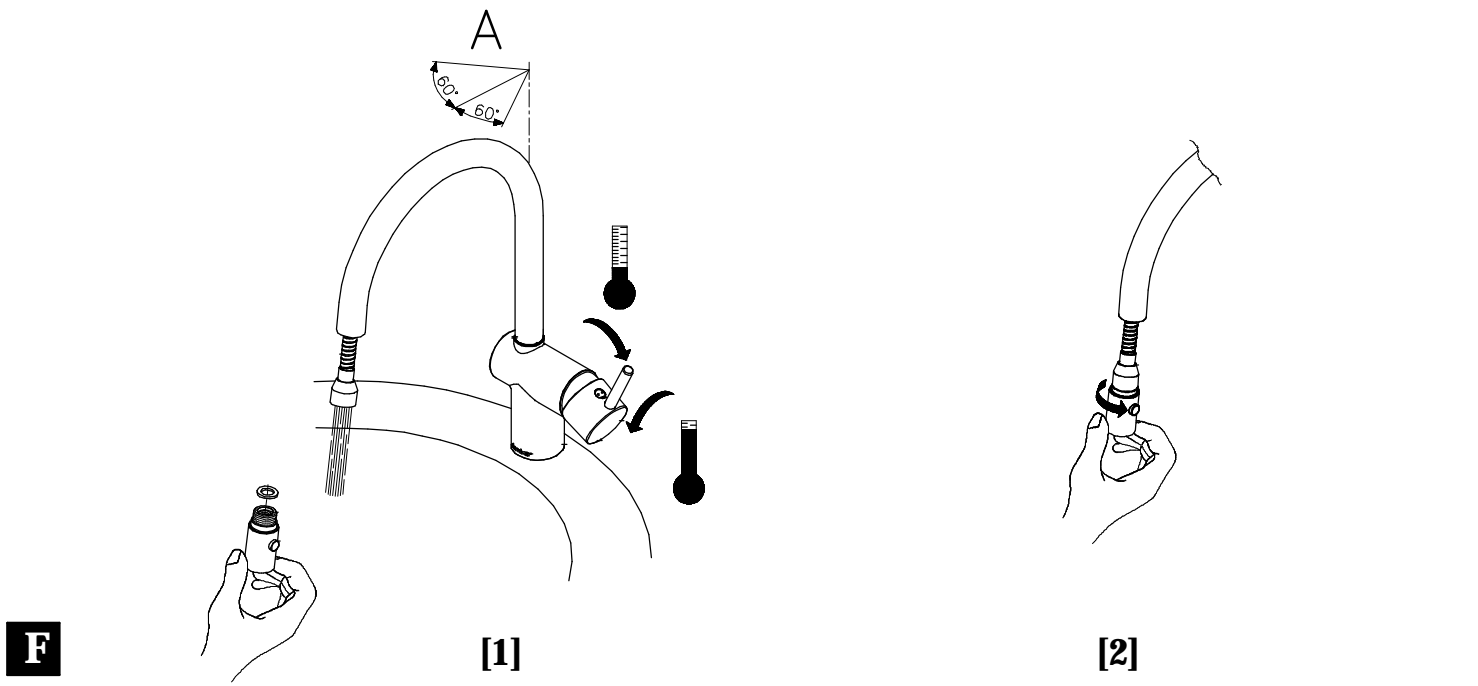


**E**

(a)

(b)

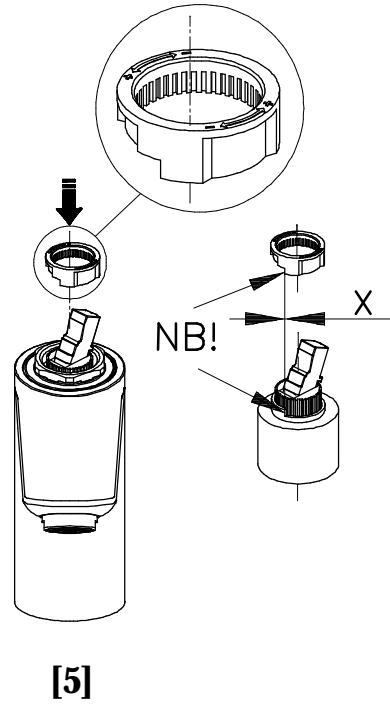
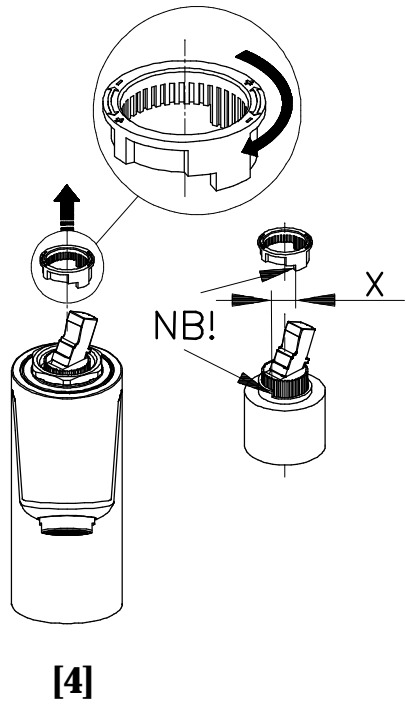
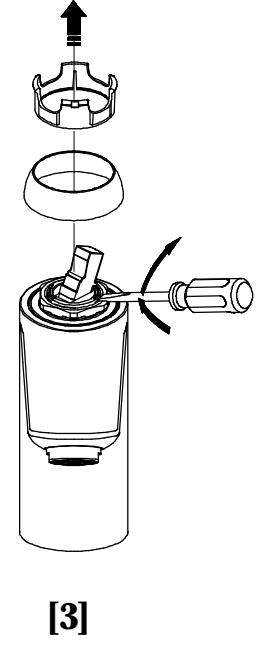
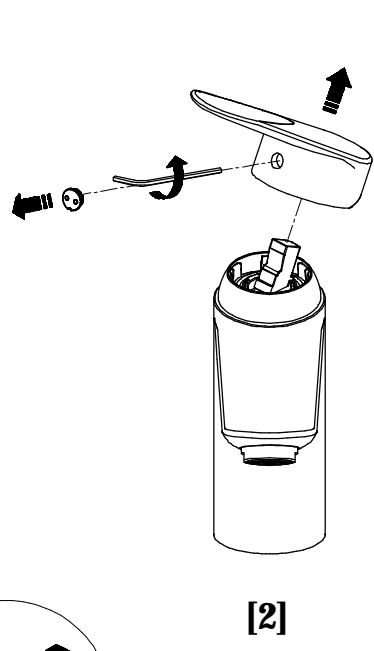
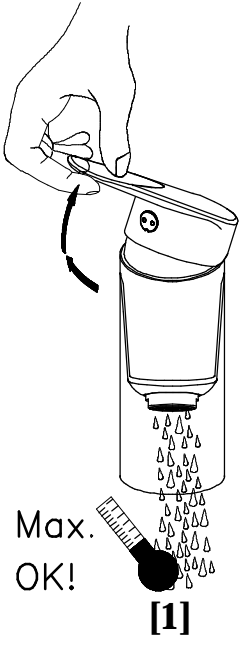
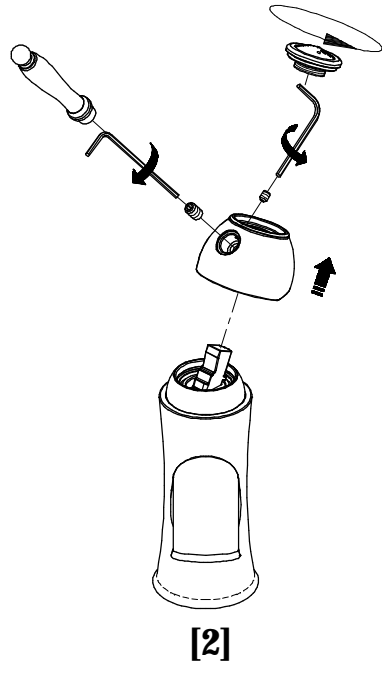
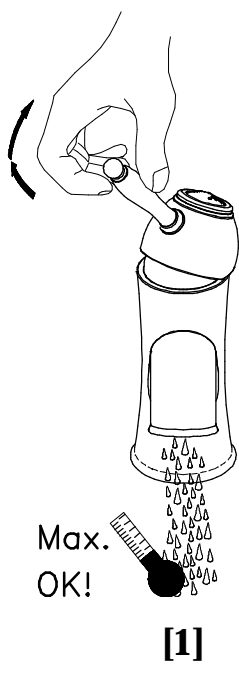
(c)



**F**

[1]

[2]



**G**

