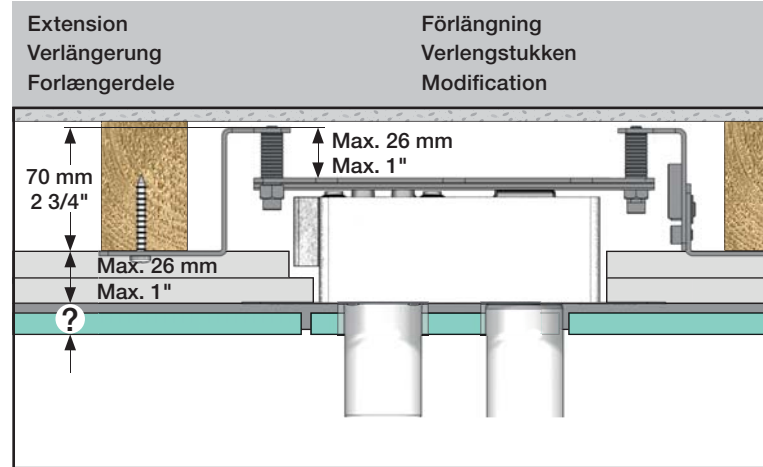
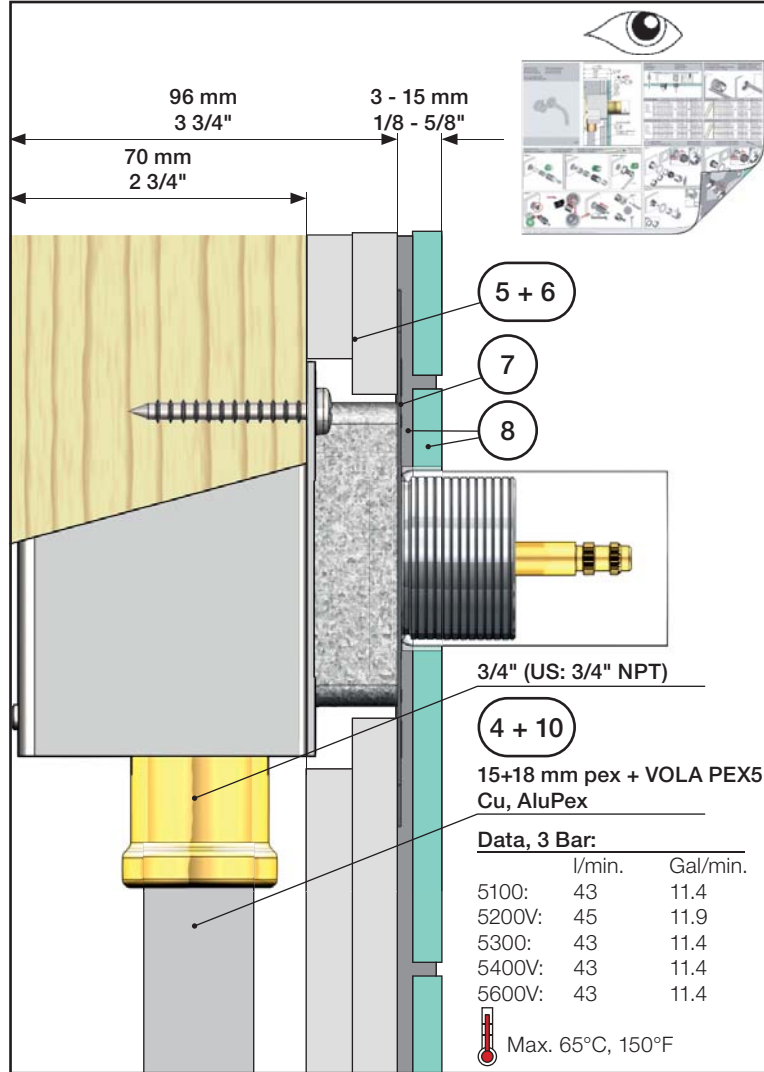
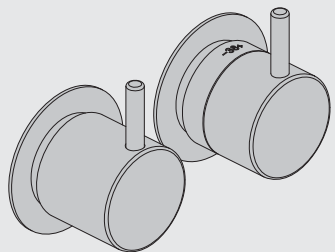


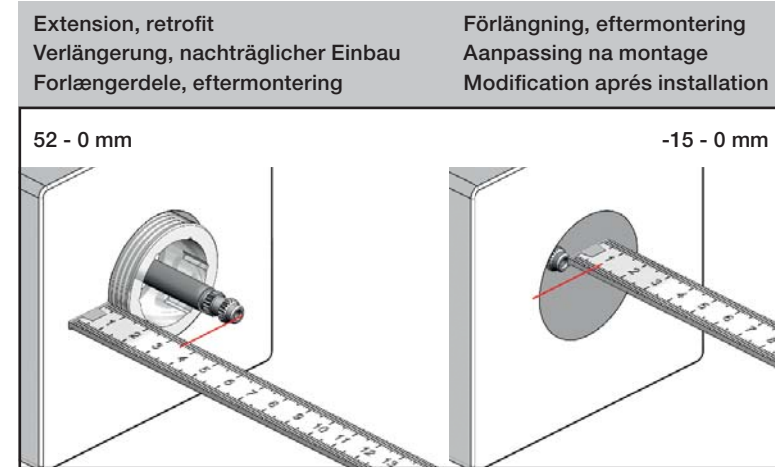
VOLA 5400DV
 VOLA 5100, 5100X, 5200, 5200V, 5300, 5600, 5600V, 5400, 5400V
 VOLA 5400N, 5400NV, 5400T, 5400TV, 5400F, 5400FV, 5400R, 5400RV

Fitting instruction
 Montageanleitung
 Monteringsvejledning

Monteringsvægledning
 Montage hanleiding
 Manuel de montage



	VR5250:	VR5400:	VR2019:
Tiles:	3 - 15 mm	Standard	Standard
Fliesen:	15 - 25 mm	VR5250+10	VR5400+10
Fliser:	25 - 35 mm	VR5250+20	VR5400+20
Tegels:	35 - 45 mm	VR5250+30	VR5400+30
Carreaux:	45 - 55 mm	VR5250+40	VR5400+40
	55 - 65 mm	VR5250+50	VR5400+50



	VR5250:	VR5400:	VR2019:
Tiles:	37 - 49 mm	Standard	Standard
Fliesen:	27 - 37 mm	VR5250+10	VR5400+10
Fliser:	17 - 27 mm	VR5250+20	VR5400+20
Tegels:	7 - 17 mm	VR5250+30	VR5400+30
Carreaux:	-3 - 7 mm	VR5250+40	VR5400+40
	-13 - -3 mm	VR5250+50	VR5400+50

VA 1.43/18670, VA 1.43/18671, VA 1.43/18672

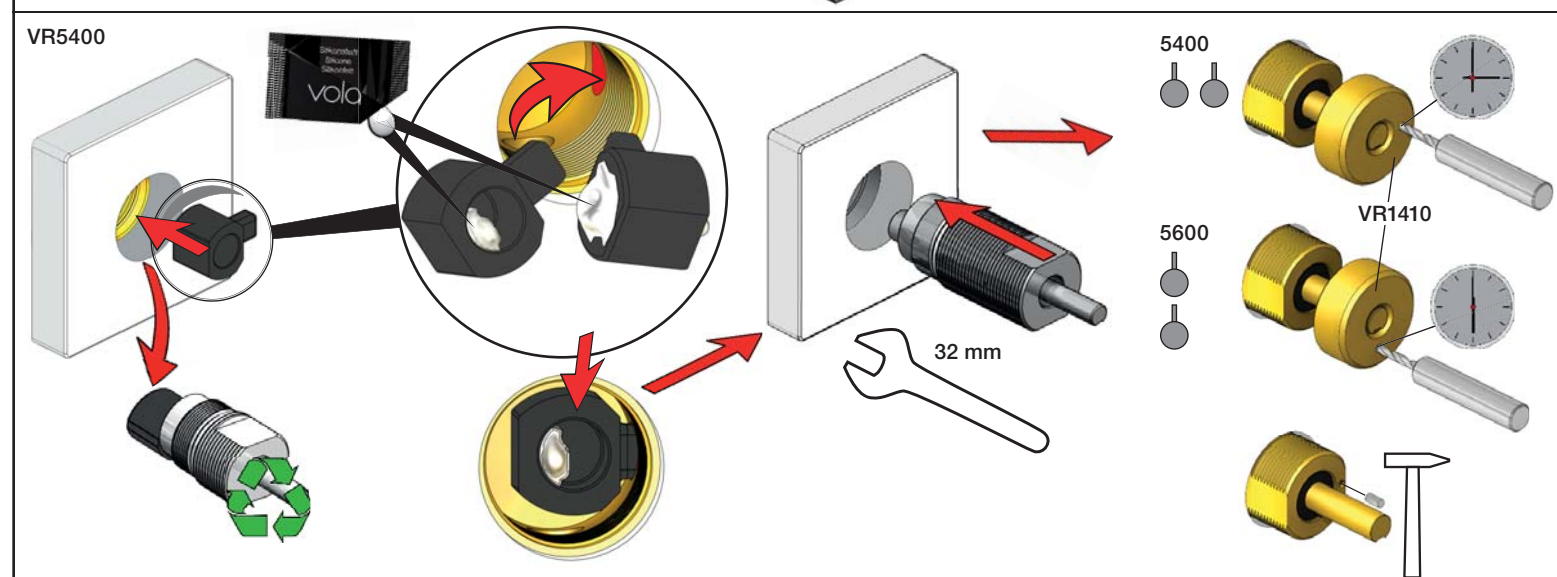
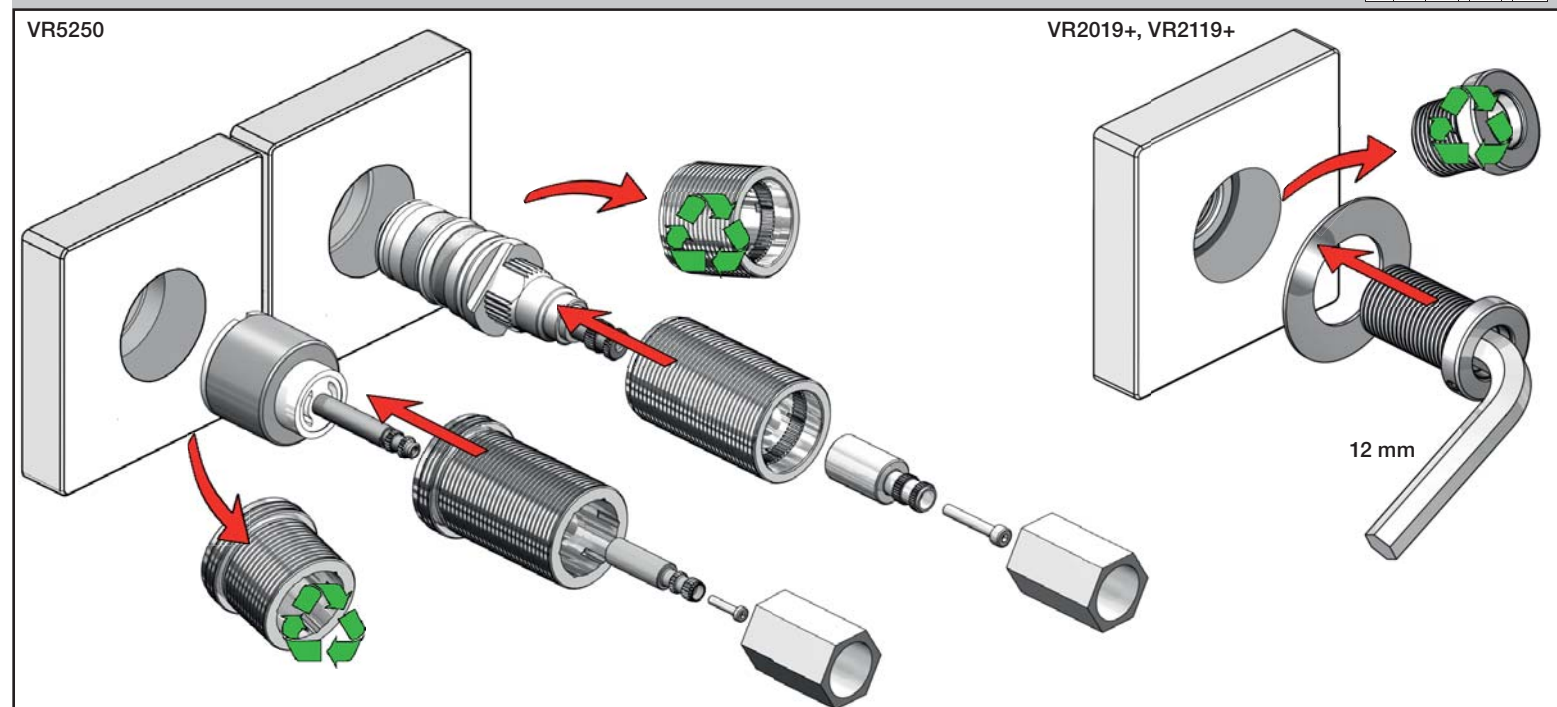
www.vola.com

vola

Fitting of extension
 Montage von verlängerung

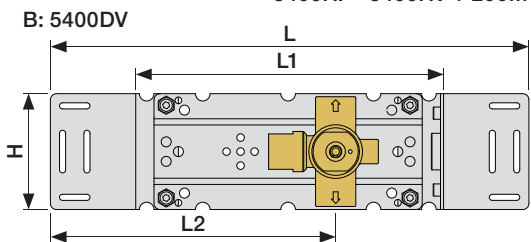
Montering af forlængerdele
 Montering av förlängning

Montage van de verlengstukken
 Montage des rallonges

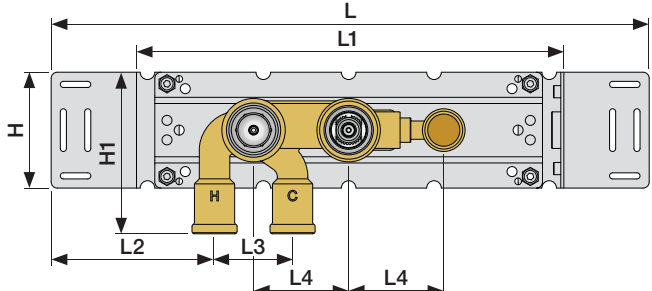


5200: 5200V + 200M 5400N: 5400NV + 200M
 5400: 5400V + 200M 5400T: 5400TV + 200M
 5600: 5600V + 200M 5400F: 5400FV + 200M
 5400R: 5400RV + 200M

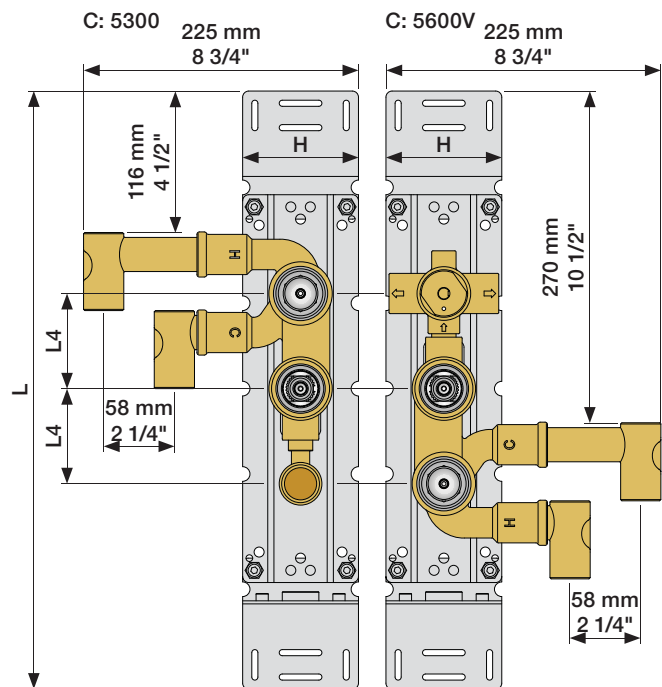
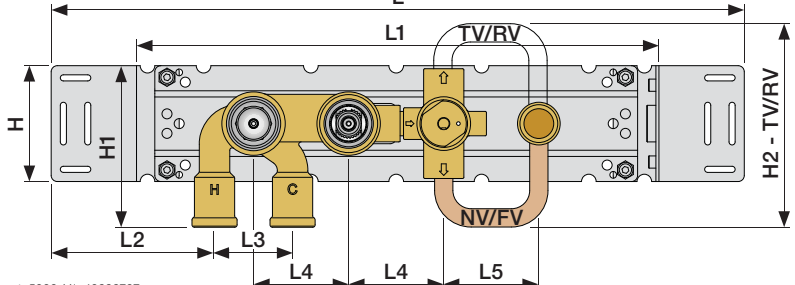
	L	L1	L2	L3	L4	L5	H	H1	H2
(B)	395 mm 15 1/2"	260 mm 10"	234 mm 9 1/4"	-	-	-	95 mm 3 3/4"	130 mm 5"	-
(C)	490 mm 19 1/2"	355 mm 14"	-	-	-	-	-	-	-
(D)	570 mm 23"	435 mm 17"	133 mm 5 1/4"	54 mm 2 1/2"	78 mm 3 1/16"	78 mm 3 1/16"	-	-	167 mm 6 5/8"
(E)	645 mm 25 1/2"	510 mm 20"	-	-	-	156 mm 6 1/8"	-	-	-



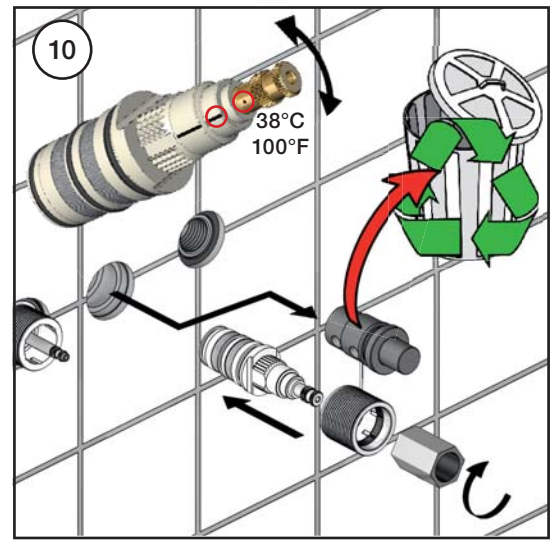
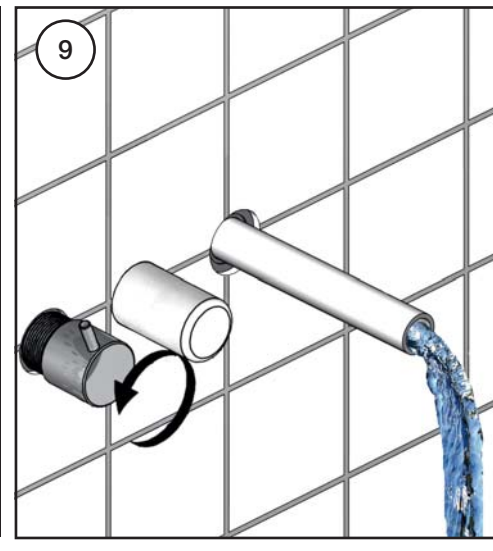
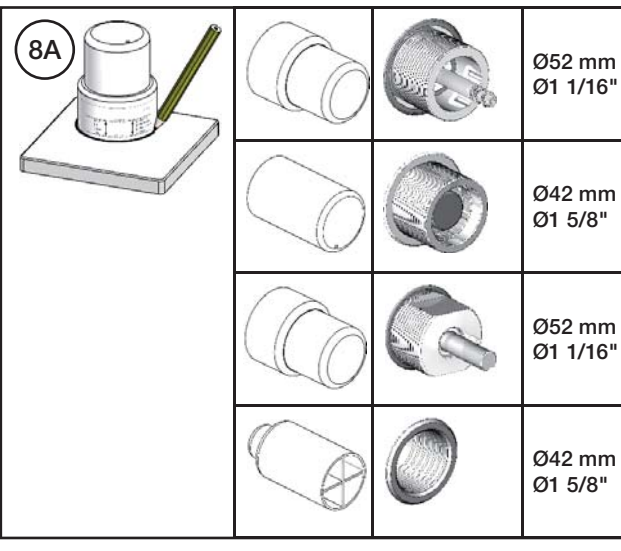
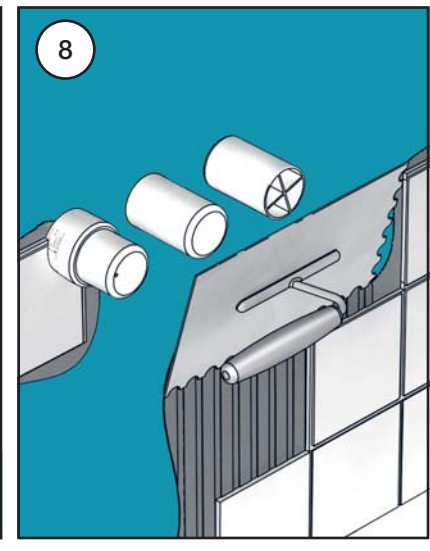
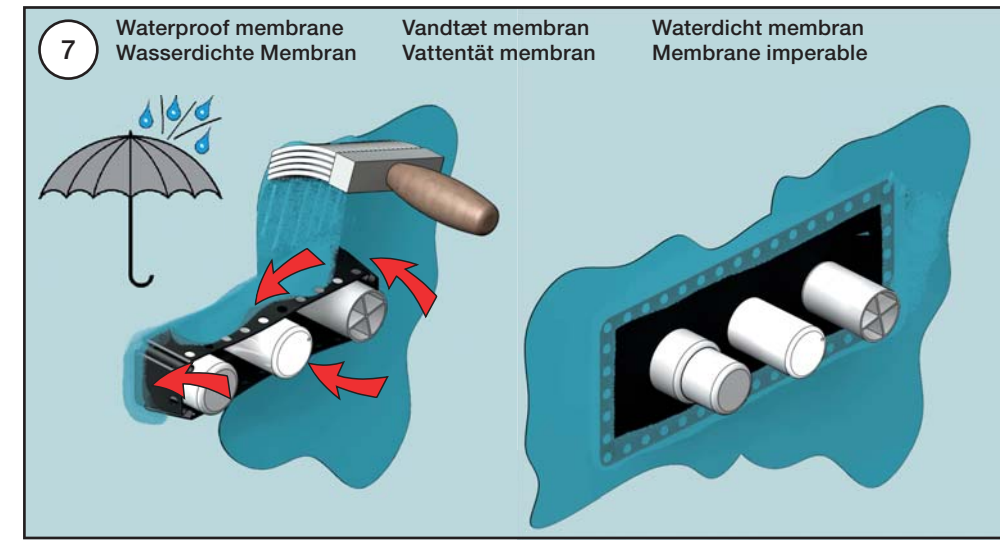
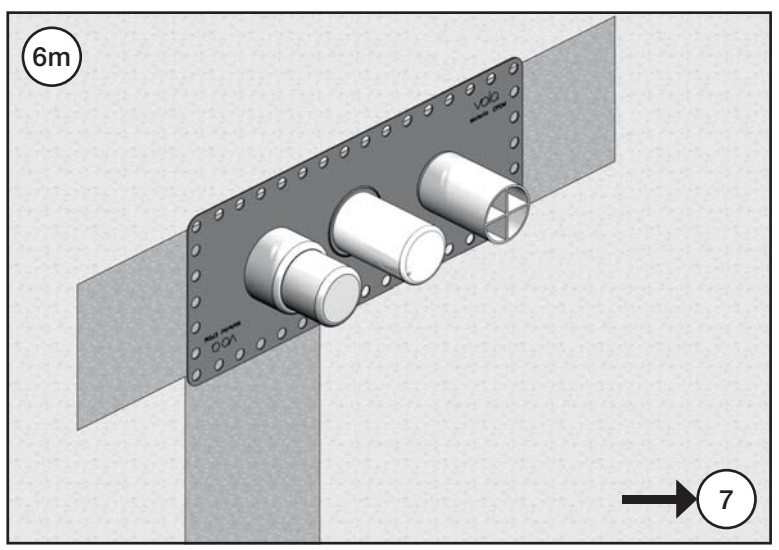
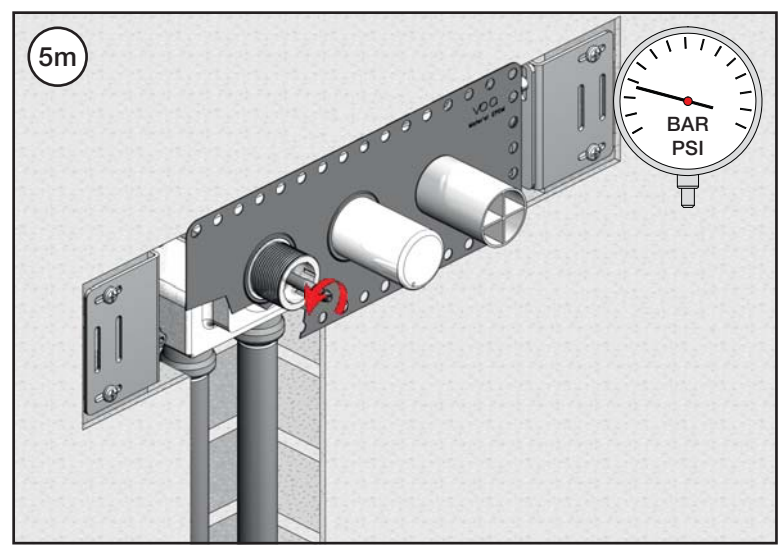
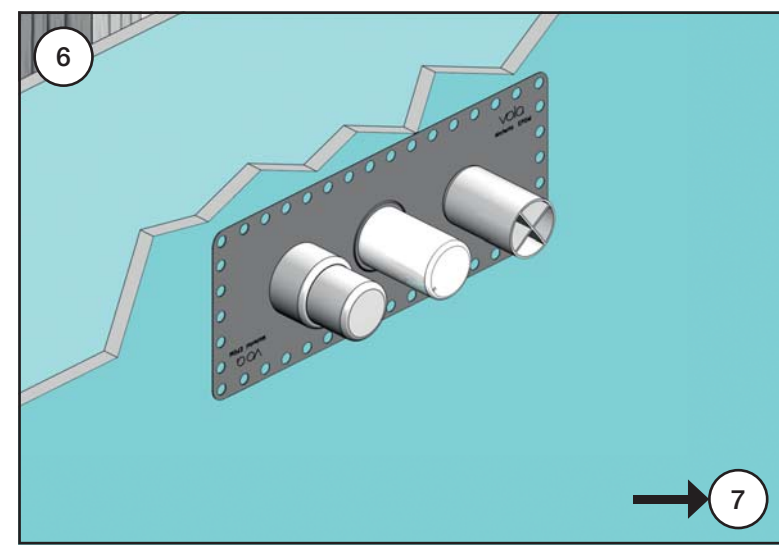
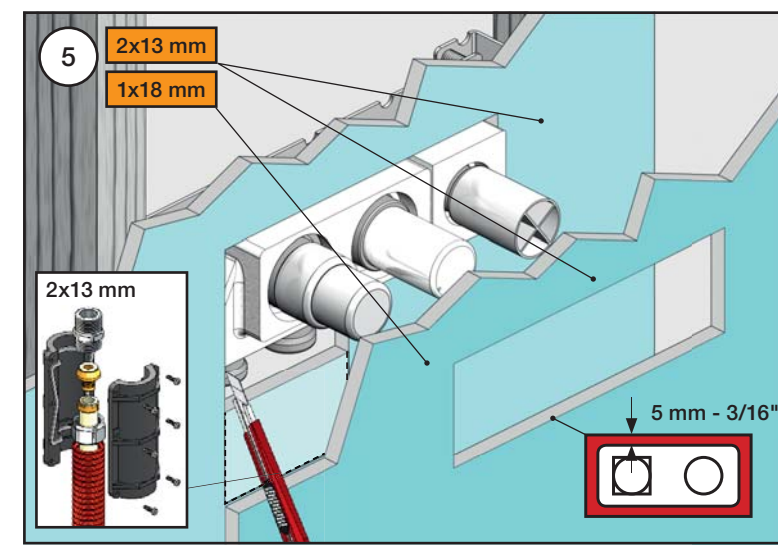
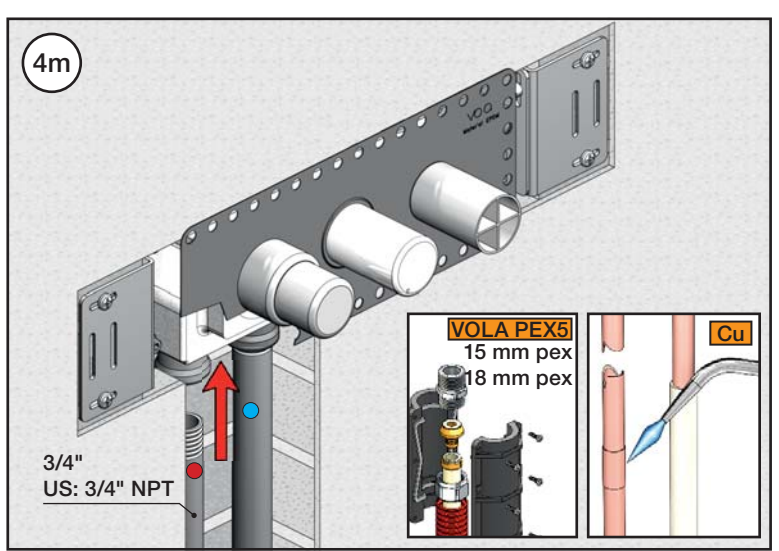
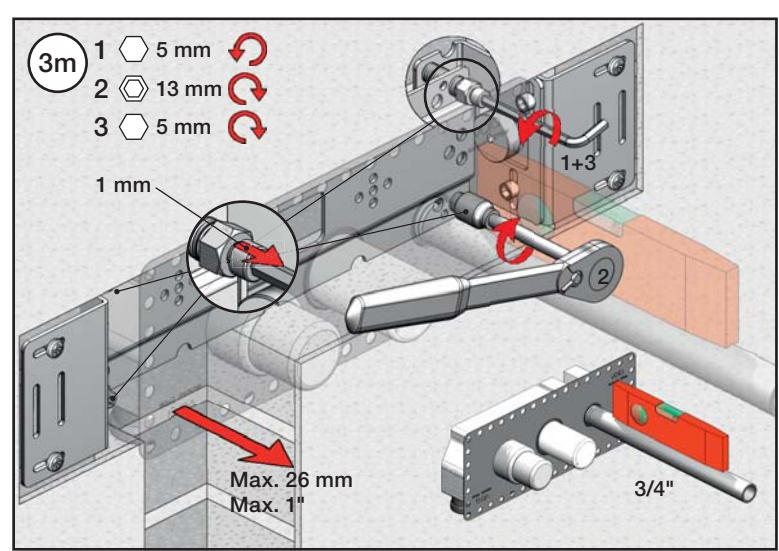
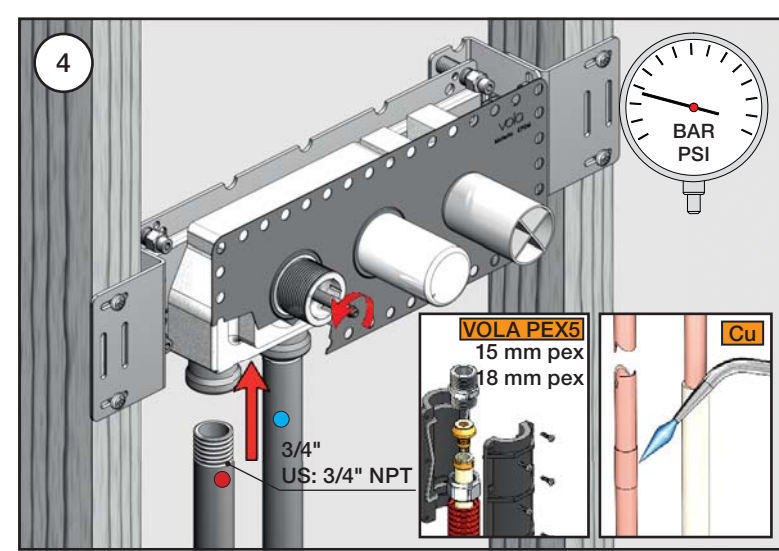
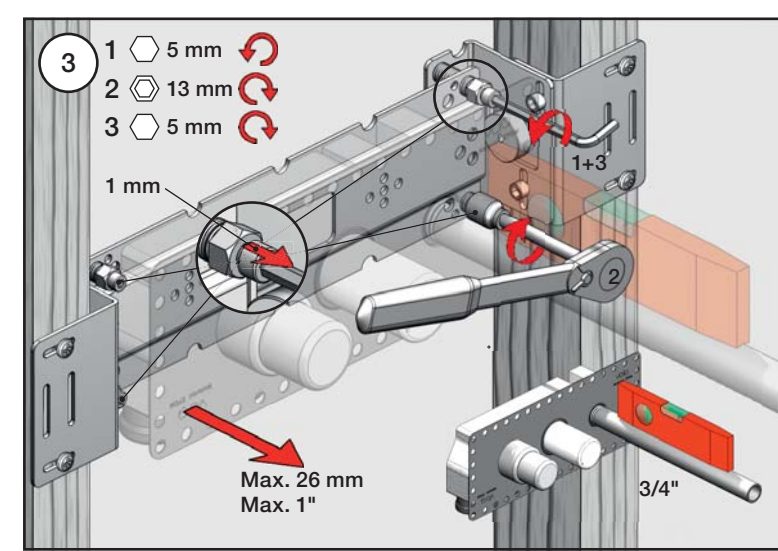
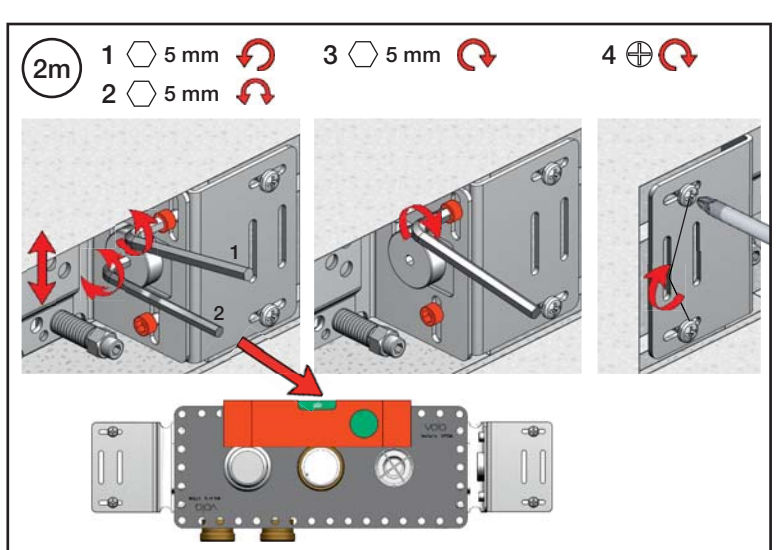
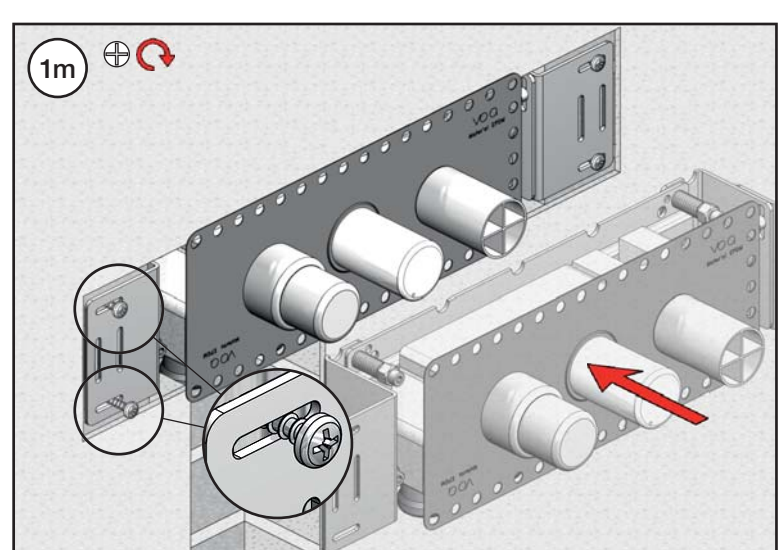
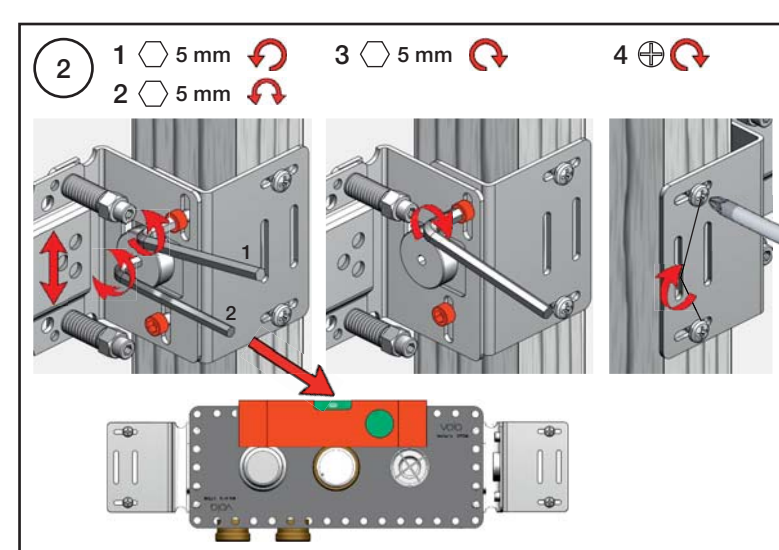
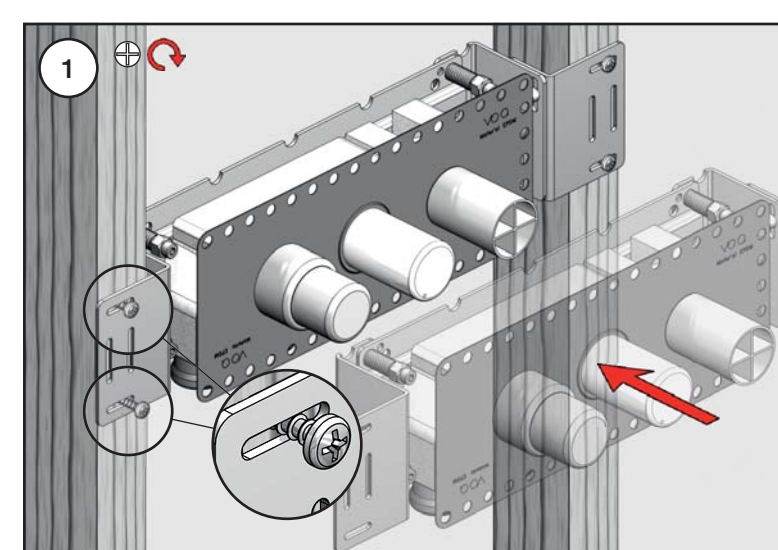
C: 5100, 5100X, 5200V, 5300, 5400V, 5600V



D: 5400NV, 5400TV
 E: 5400FV, 5400RV



mnt_5000_V1_40999767

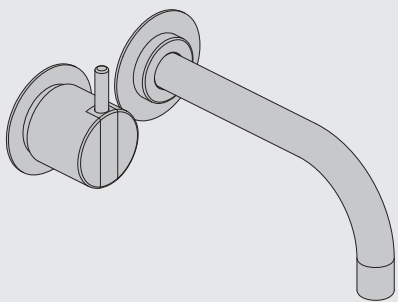


VOLA 100, 100X, 200M, 200, 200V, 300
 VOLA 400DV, 400, 400V, 400N, 400NV, 400T
 VOLA 400TV, 400F, 400FV, 400R, 400RV
 VOLA 2100, 2100X, 2200, 2200V, 2300, 2400
 VOLA 2400V, 2400N, 2400NV, 2400T, 2400TV
 VOLA 2400F, 2400FV, 2400R, 2400RV



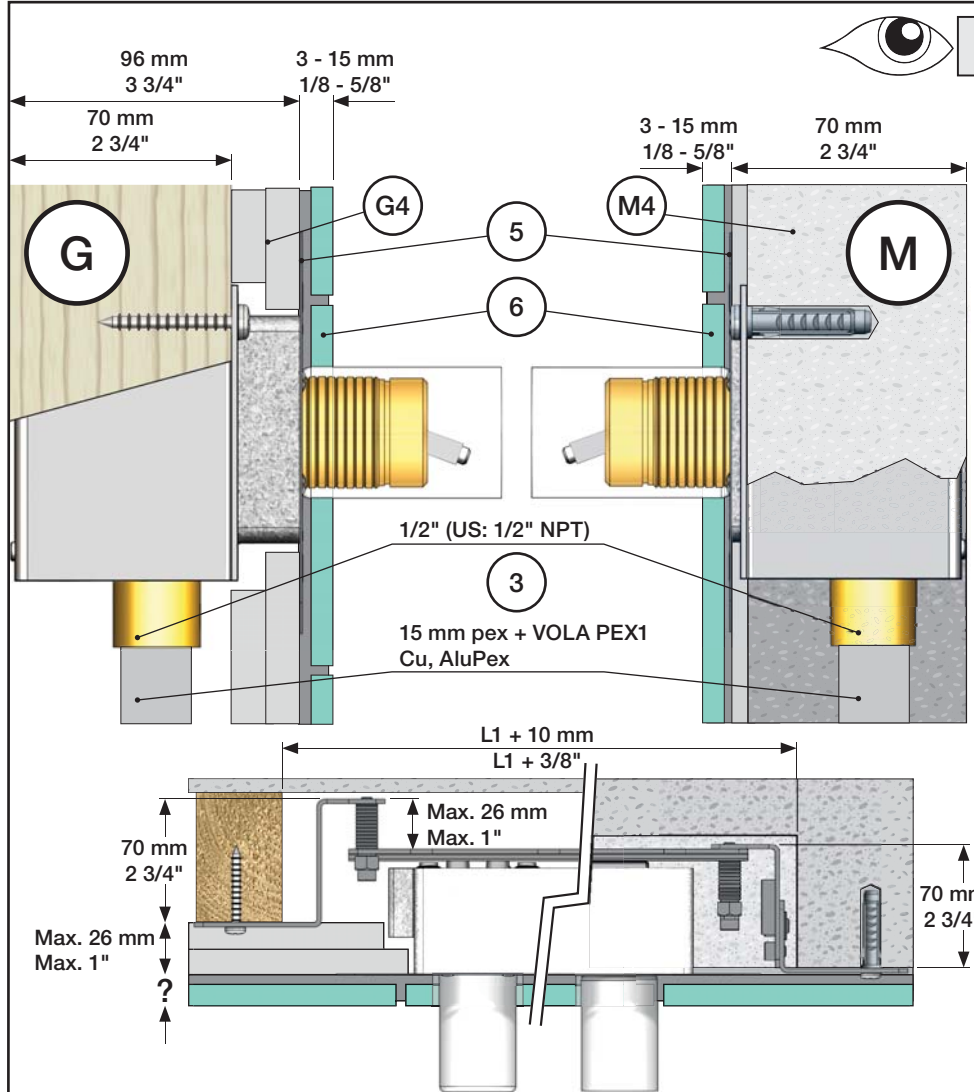
Fitting instruction
 Montageanleitung
 Monteringsvejledning

Monteringsvægledning
 Montage hanledning
 Manuel de montage



VA 1.42/18612, VA 1.42/18613, VA 1.42/18614,
 VA 1.42/18615, VA 1.42/18616, VA 1.42/18617

www.vola.com



Data, 3 Bar:

	l/min.	Gal./min.
100:	18,3	4.8
400V:	15,6	4.1
2100:	25,2	6.7
2400V:	22,2	5.9

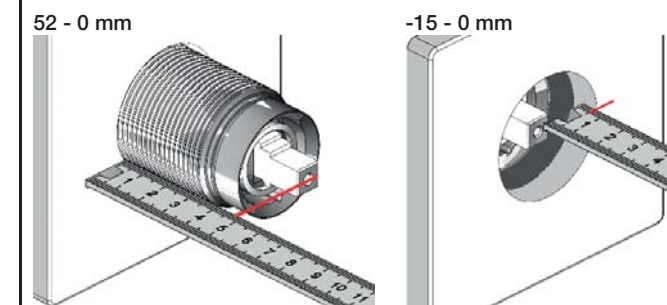
Max. 65°C, 150°F

Max.: 10 Bar/145 psi

Recommended operating pressure:
 Empfohlener Betriebsdruck:
 Anbefalet driftstryk:
 Rekommenderat arbetstryck:
 Aanbevolen werkdruk:
 Pression de fonctionnement recommandée:

2 - 5 Bar
 29 - 72.5 psi

Extension, retrofit
 Verlängerung, nachträglicher Einbau
 Forlængerdele, eftermontering
 Förlängning, eftermontering
 Aanpassing na montage
 Modification après installation



Extension Verlängerung Forlængerdele Förlängning Verlangstukken Modification

	100/200/300/400	VR1254	VR1400	VR2019
3 - 15 mm	Std.	Std.	Std.	Std.
15 - 25 mm	+10	+10	+10	+10
25 - 35 mm	+20	+20	+20	+20
35 - 45 mm	+30	+30	+30	+30
45 - 55 mm	+40	+40	+40	+40
55 - 65 mm	+50	+50	+50	+50

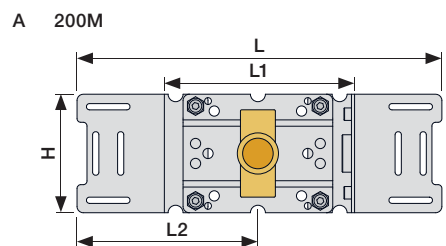
	100/200/300/400	VR1254	VR1400	VR2019
40 - 52 mm	Std.	Std.	Std.	Std.
30 - 40 mm	+10	+10	+10	+10
20 - 30 mm	+20	+20	+20	+20
10 - 15 mm	+30	+30	+30	+30
0 - 10 mm	+40	+40	+40	+40
-10 - 0 mm	+50	+50	+50	+50

2100/2200/2300/2400 VR2250 VR1400 VR2019

	2100/2200/2300/2400	VR2250	VR1400	VR2019
3 - 15 mm	Std.	Std.	Std.	Std.
15 - 25 mm	+10	+10	+10	+10
25 - 35 mm	+20	+20	+20	+20
35 - 45 mm	+30	+30	+30	+30
45 - 55 mm	+40	+40	+40	+40
55 - 65 mm	+50	+50	+50	+50

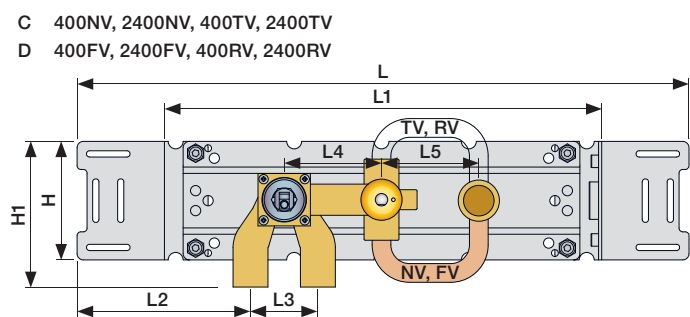
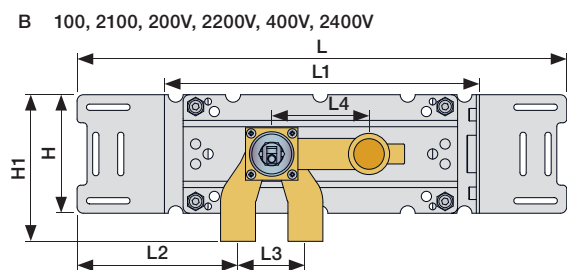
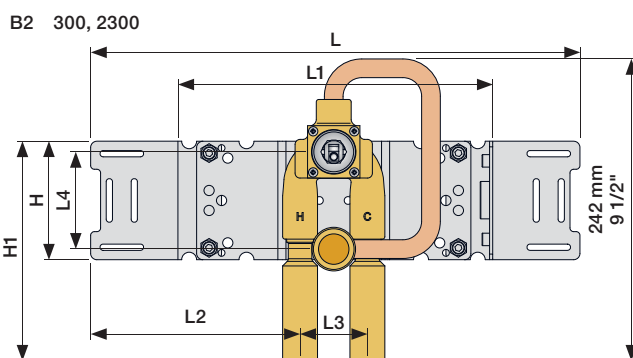
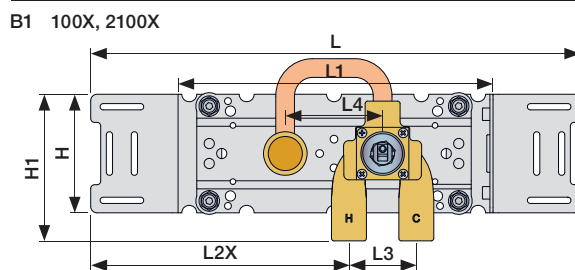
2100/2200/2300/2400 VR2250 VR1400 VR2019

	2100/2200/2300/2400	VR2250	VR1400	VR2019
35 - 47 mm	Std.	Std.	Std.	Std.
25 - 35 mm	+10	+10	+10	+10
15 - 25 mm	+20	+20	+20	+20
5 - 15 mm	+30	+30	+30	+30
-5 - 5 mm	+40	+40	+40	+40
-15 - -5 mm	+50	+50	+50	+50



200: 200V + 200M
 400: 400V + 2 x 200M
 2400: 2400V + 2 x 200M
 400N: 400NV + 200M
 2400N: 2400NV + 200M
 400T: 400TV + 200M
 2400T: 2400TV + 200M
 400F: 400FV + 200M
 2400F: 2400FV + 200M
 400R: 400RV + 200M
 2400R: 2400RV + 200M

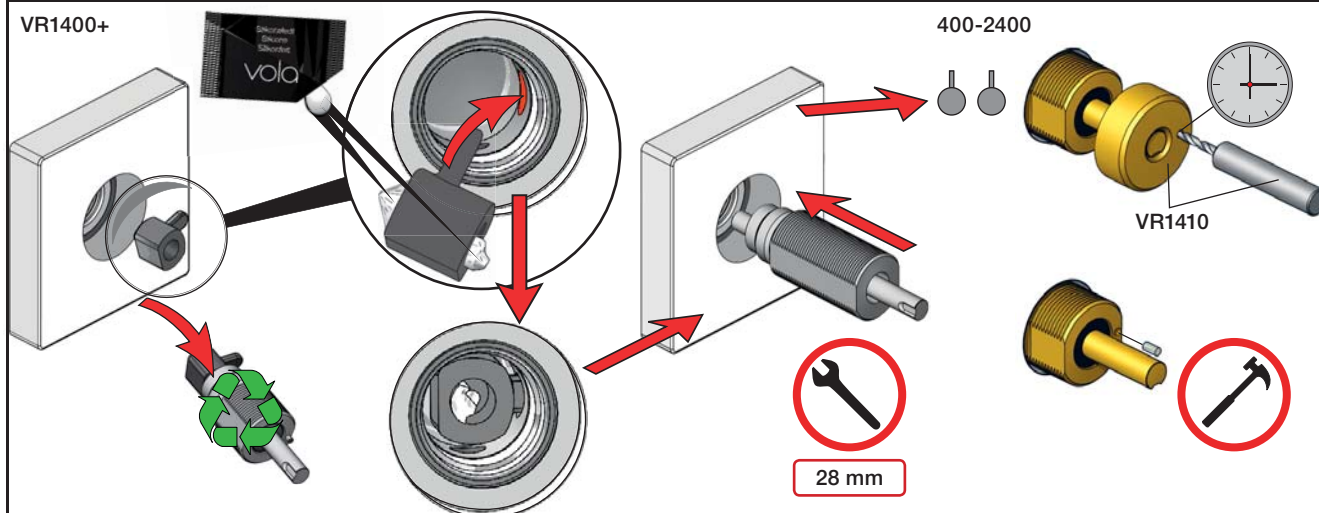
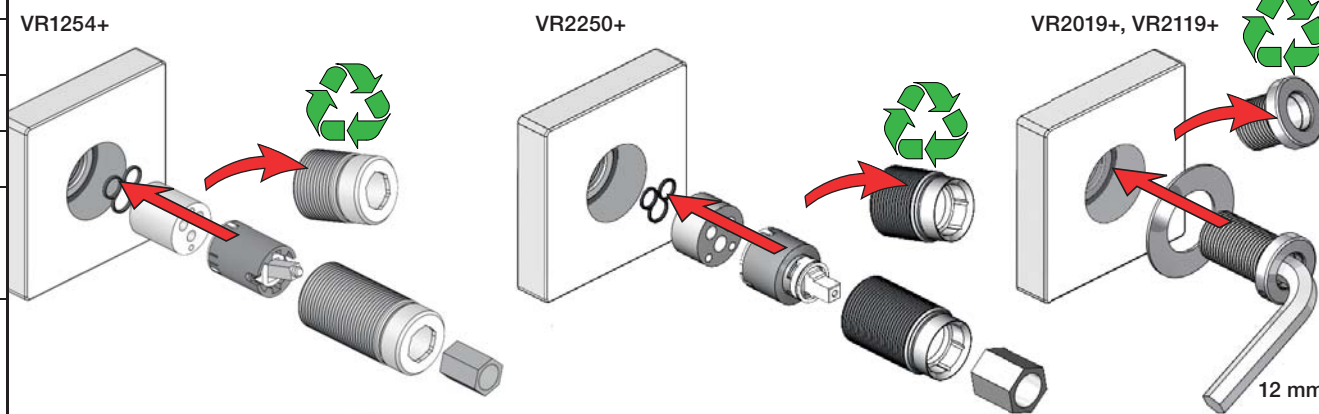
	L	L1	L2	L3	L4	L5	H	H1
A	295 mm 11 1/2"	160 mm 6 1/2"	145 mm 5 3/4"	-	-	-	95 mm 3 3/4"	-
B			129 mm 5"					120 mm 4 3/4"
B1	395 mm 15 1/2"	260 mm 10"	207 mm 8 1/8"					175 mm 6 7/8"
B2			168 mm 6 5/8"	54 mm 2 1/8"	78 mm 3 1/16"			120 mm 4 3/4"
C	490 mm 19 1/2"	355 mm 14"				78 mm 3 1/16"		
D	570 mm 23"	435 mm 17"	139 mm 5 1/2"			156 mm 6 1/8"		



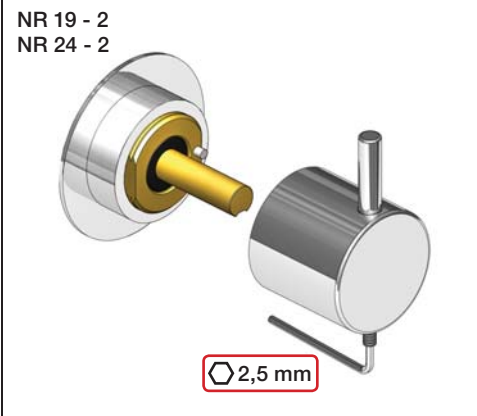
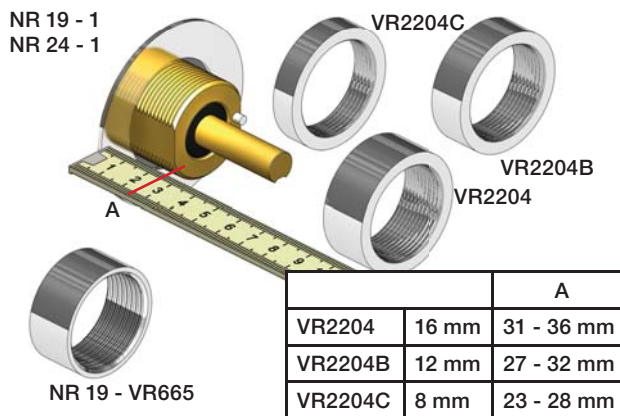
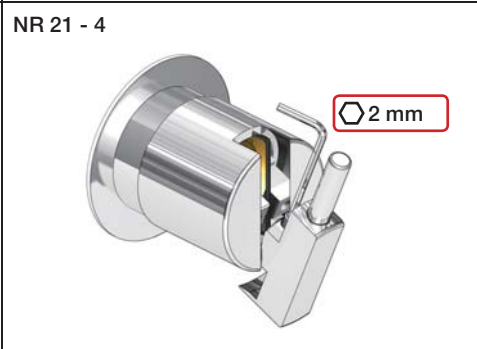
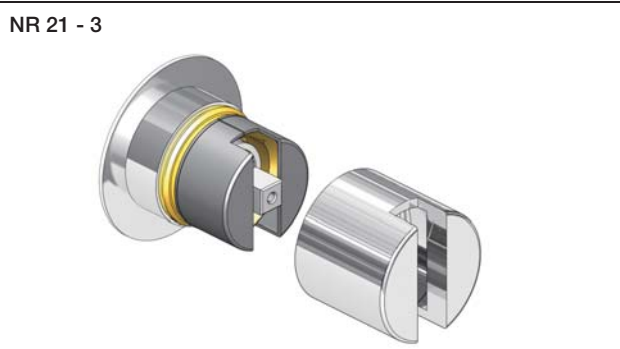
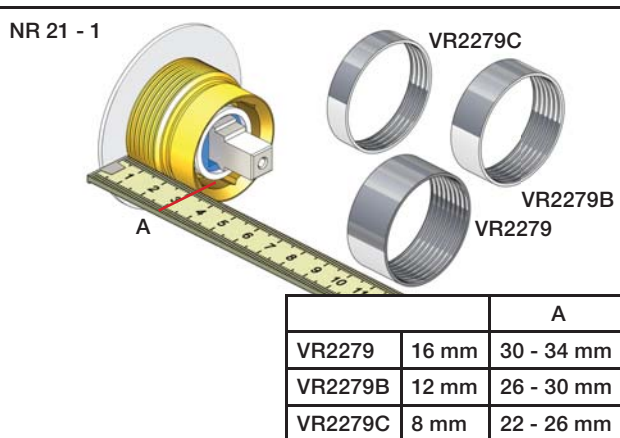
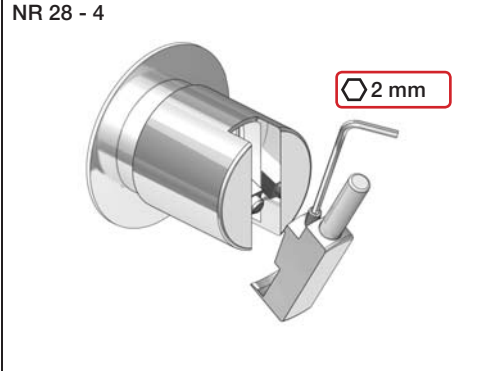
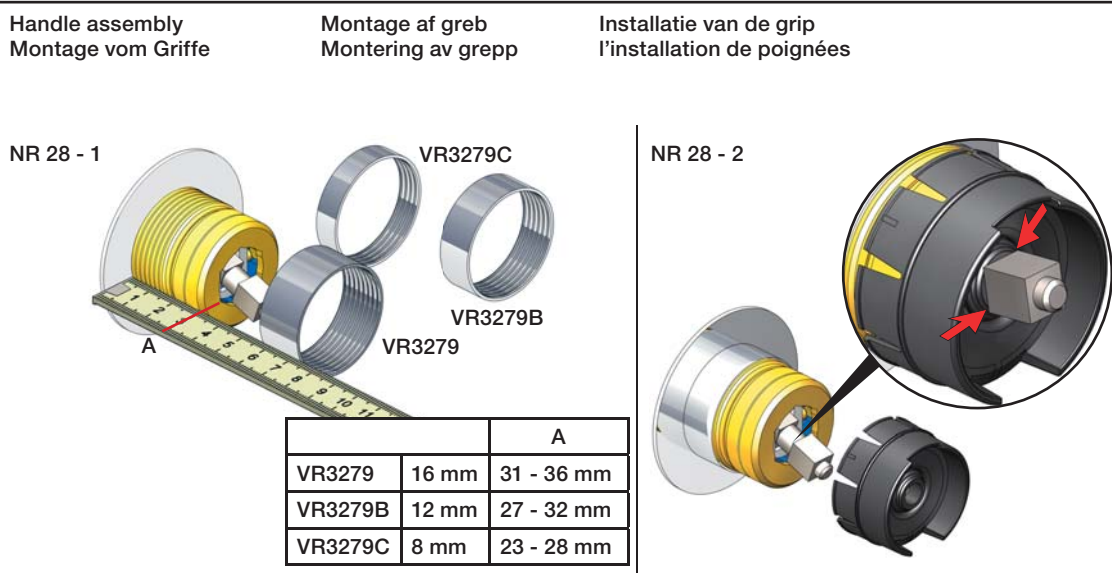
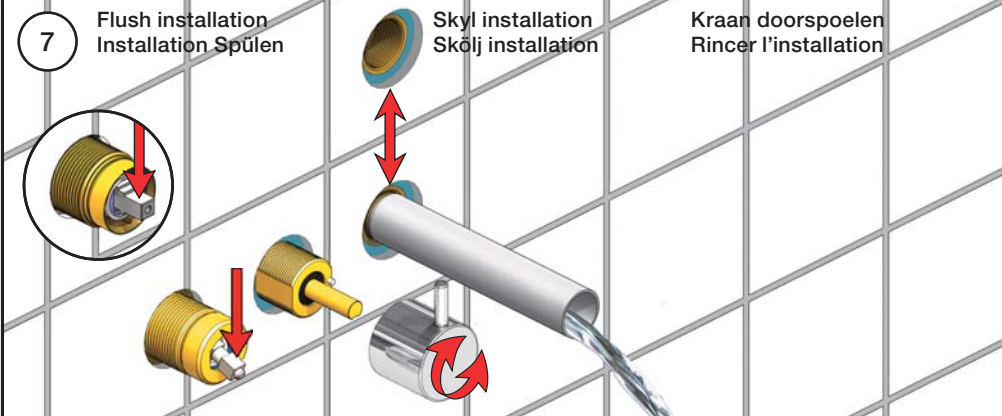
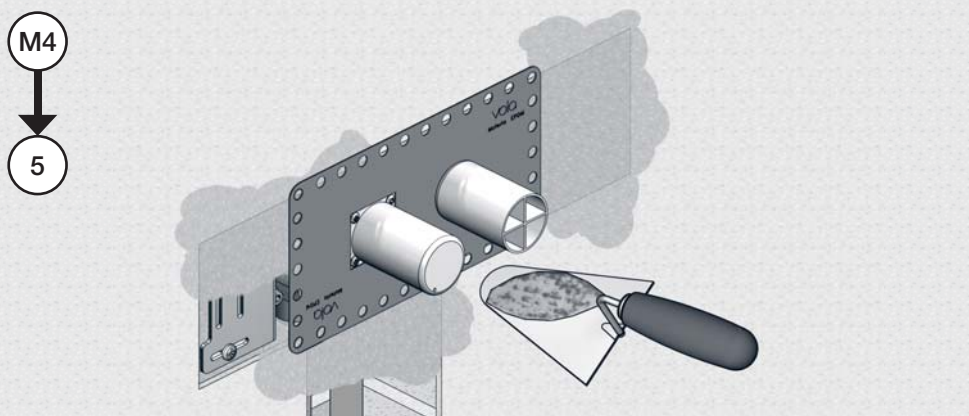
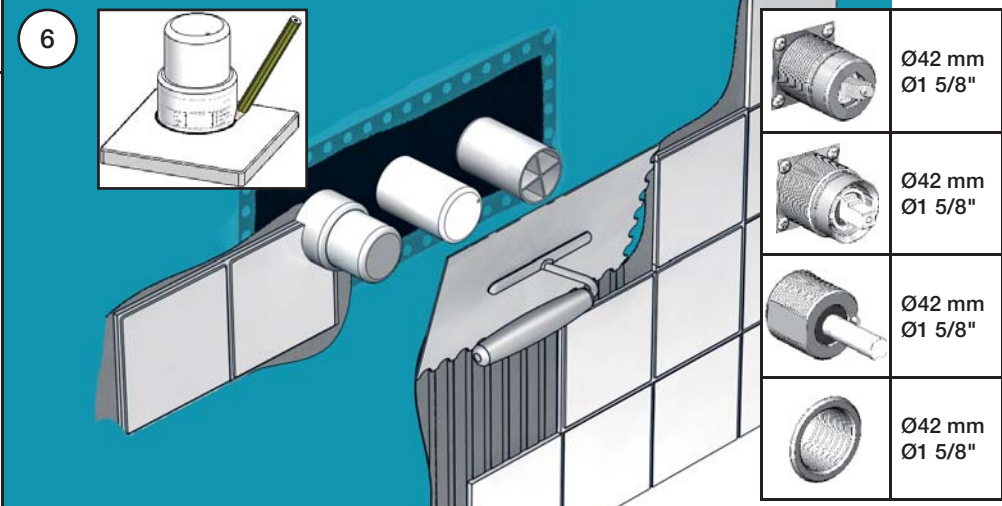
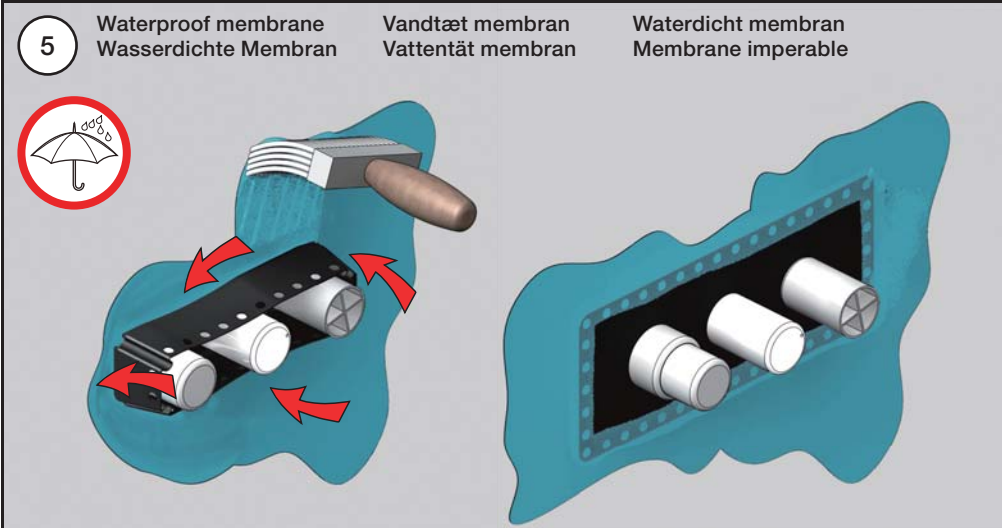
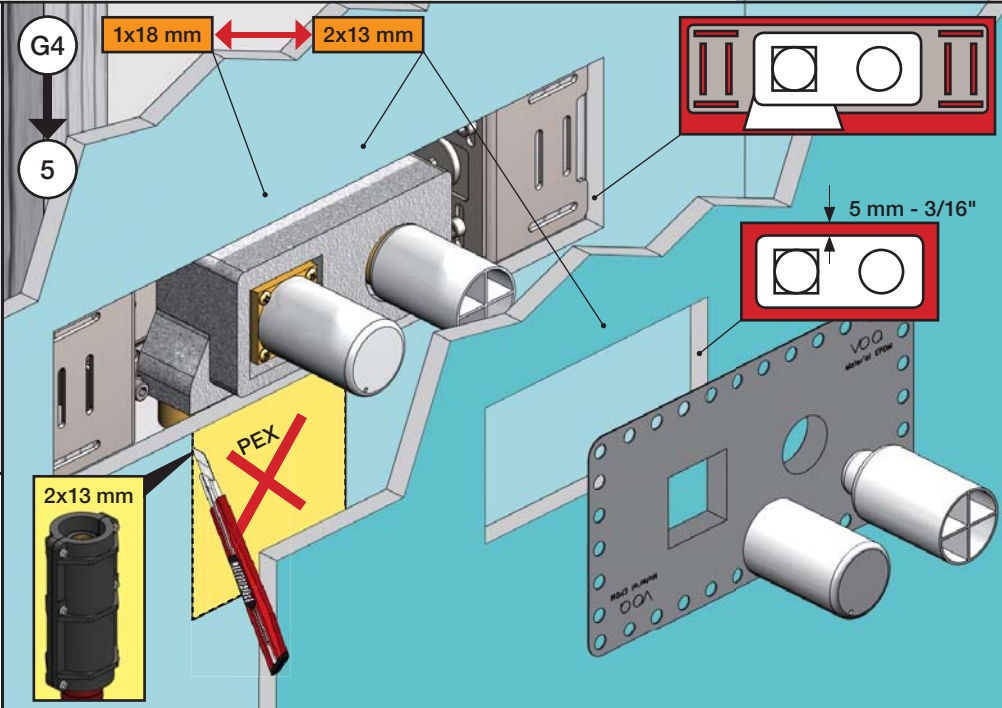
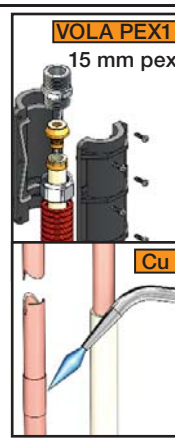
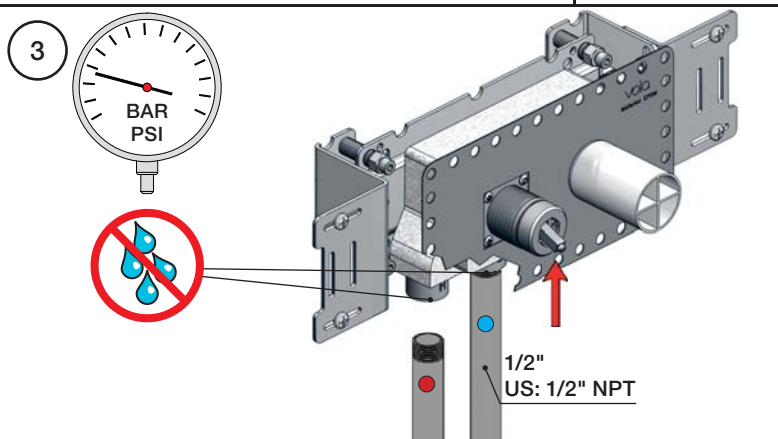
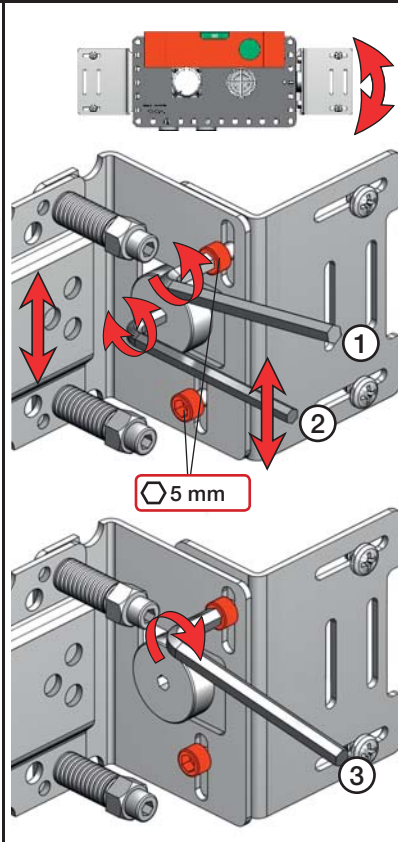
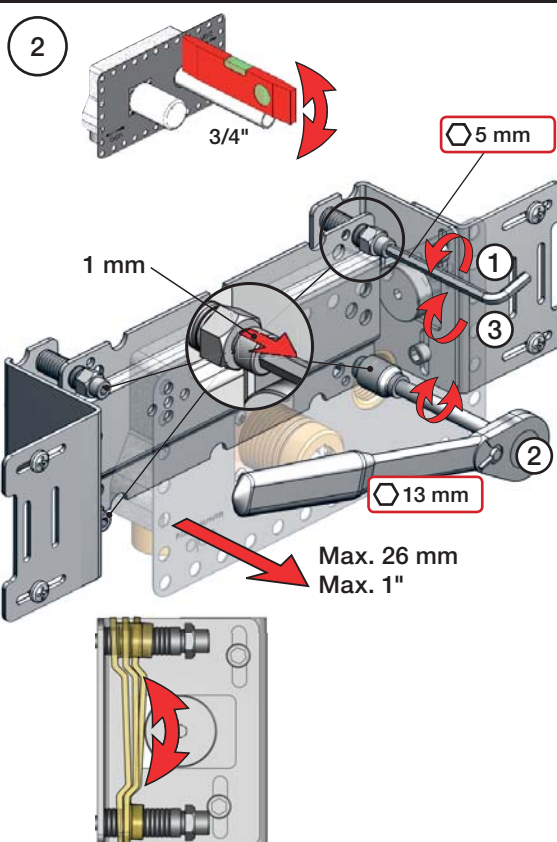
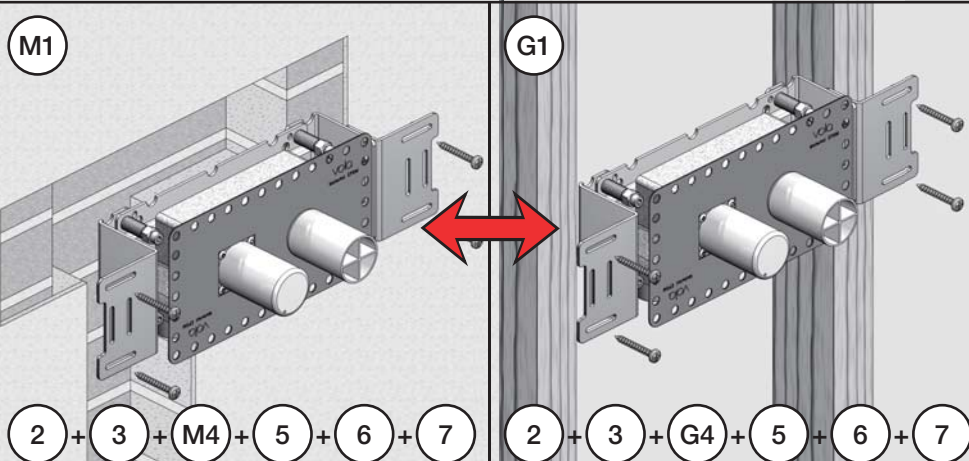
Fitting of extension
 Montage von verlängerung

Montering af forlængerdele
 Montering av förlängning

Montage van de verlengstukken
 Montage des rallonges

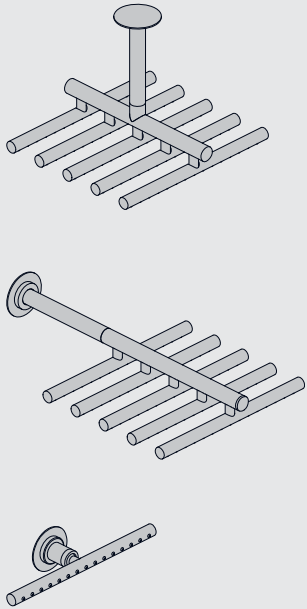


100-2100_V5_40999996



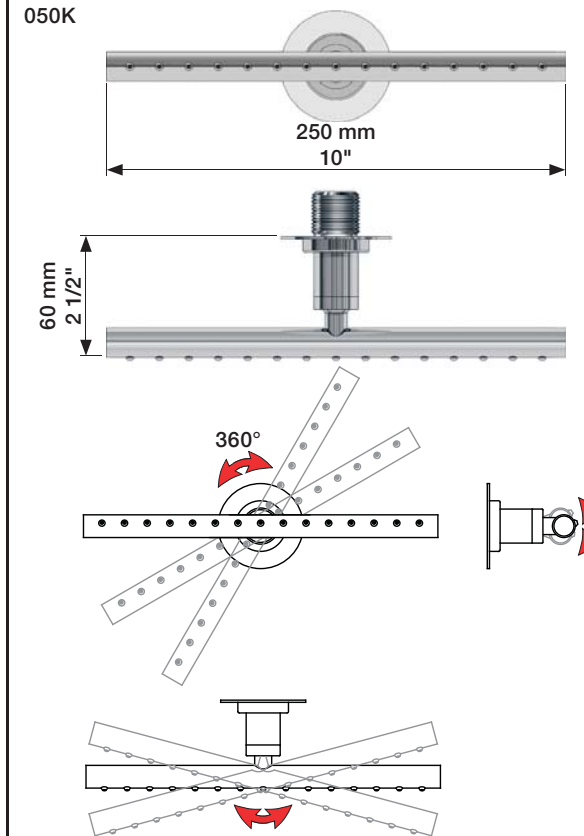
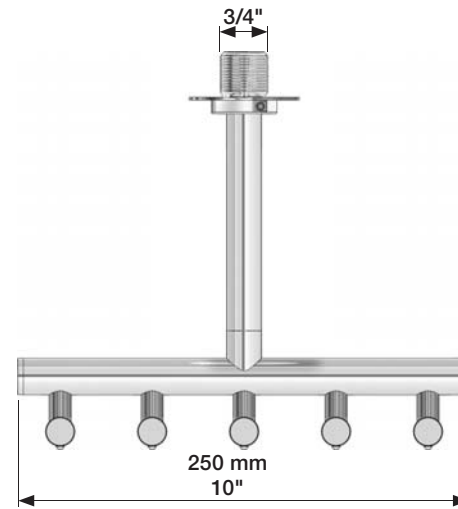
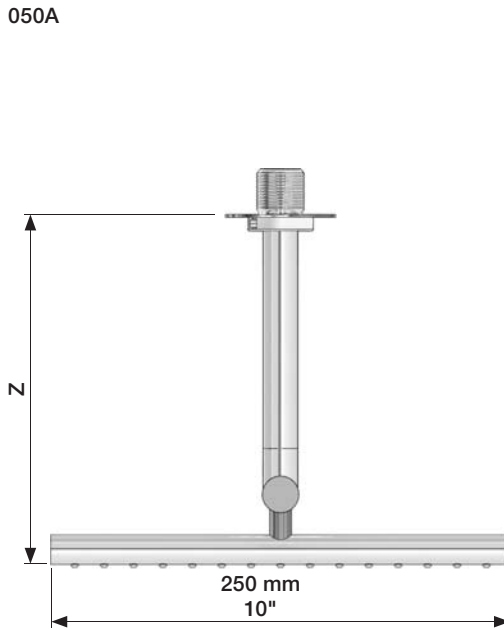
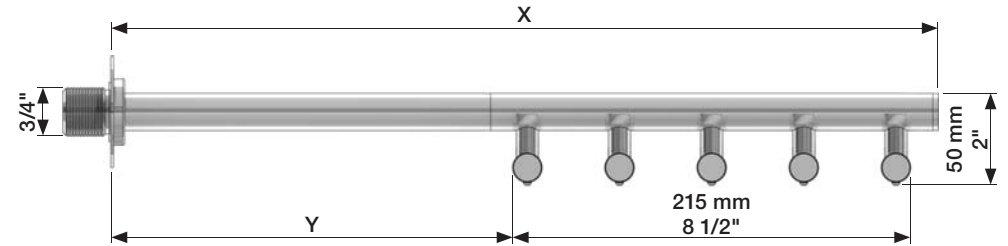
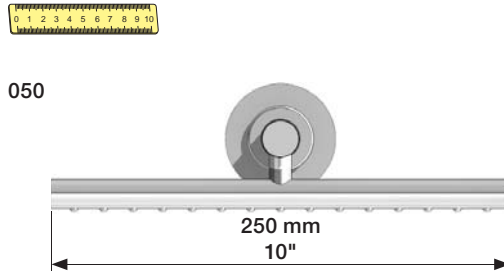
VOLA 050, 050A, 050K

Fitting instruction
 Montageanleitung
 Monteringsvejledning
 Monteringsvægledning
 Montage hanleiding
 Manuel de montage

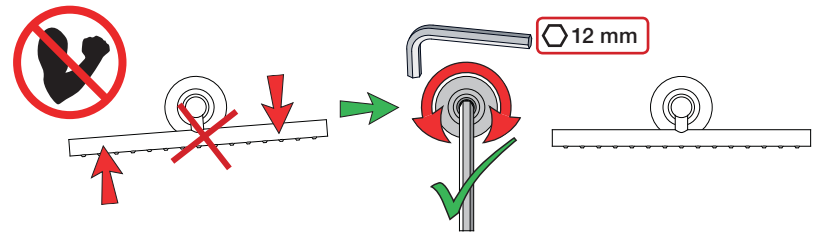
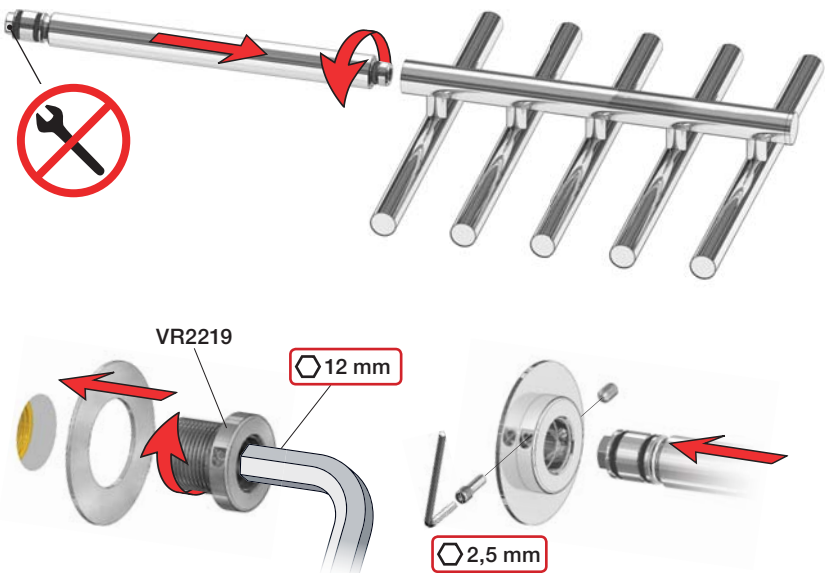


	Data	-100	Std.	+100	+200
	X	440 mm 17"	540 mm 21"	640 mm 25"	740 mm 29"
	Y	205 mm 8"	310 mm 12"	405 mm 16"	505 mm 20"
Z	-	190 mm 7 1/2"	290 mm 11 3/8"	390 mm 15 3/8"	

Data	Bar:	1	2	3	4	5
051/051A	(l/min) (Gal/min)	13 3.5	19 5.0	23 6.1	26 7.0	30 7.8
051K	(l/min) (Gal/min)	5 1.3	5 1.3	5 1.3	5 1.3	5 1.3
	Max. 65°C. 150°F					



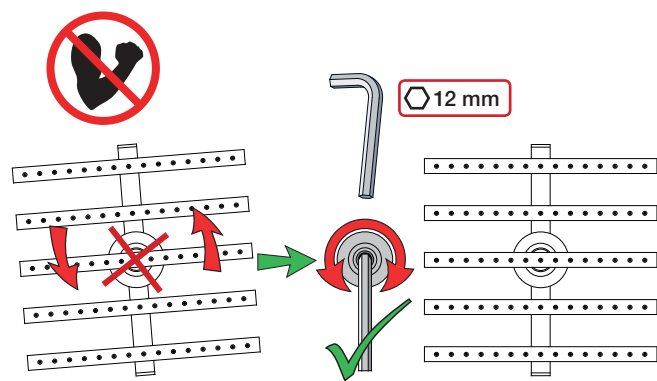
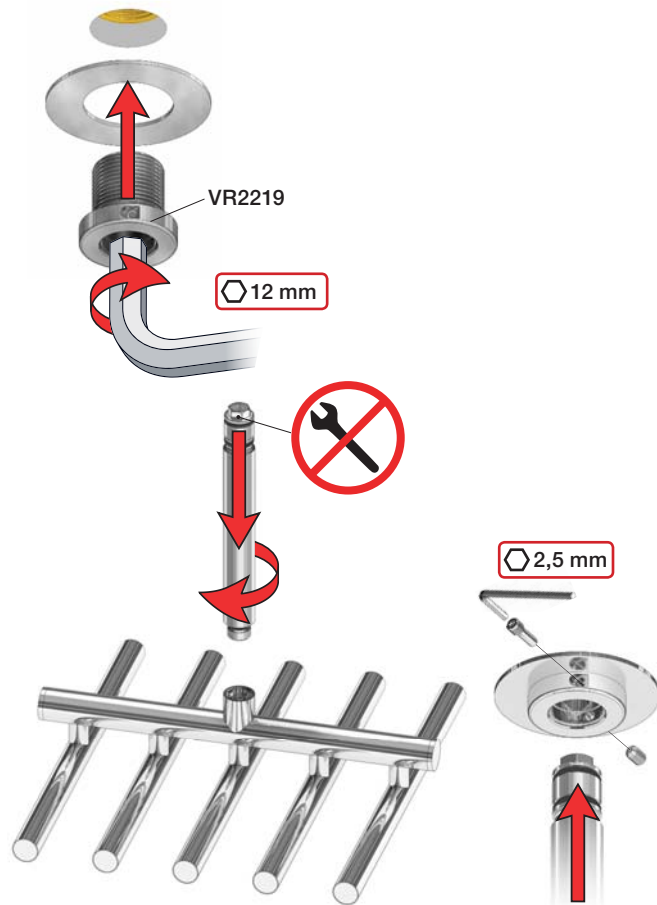
050



050K



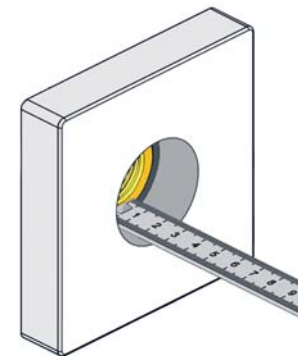
050A





Extension
Verlängerung

Forlængerdele
Förlängning

Verlengstukken
Modification



		VR2019: 	VR2219: 
Tiles:	3 - 15 mm	Standard	Standard
Fliesen:	15 - 25 mm	VR2019+10	VR2219+10
Fliser:	25 - 35 mm	VR2019+20	VR2219+20
Tegels:	35 - 45 mm	VR2019+30	VR2219+30
Carreaux:	45 - 55 mm	VR2019+40	VR2219+40
	55 - 65 mm	VR2019+50	VR2219+50

VR2019+ & VR2219+

