

## Axor Starck

### 2-handle basin mixer with pop-up waste set

Surfaces: **chrome** Article Number: **10030000**



#### Description

##### product features

- ComfortZone 80
- normal spray
- flow rate: 5 l/min
- ceramic valves hot/ cold 180°
- temperature limitation not adjustable
- pop-up waste set G 1¼
- suitable for continuous flow water heaters
- connection dimension: DN15
- P-IX 8823/IA
- ETA VA 1.42/18750
- ACS 08 ACC LY 259
- WRAS 1006012
- P-IX 8823/IA

##### Optional Accessoires

- Flowstar design trap set (#52120XXX)

#### Technology



#### Design awards

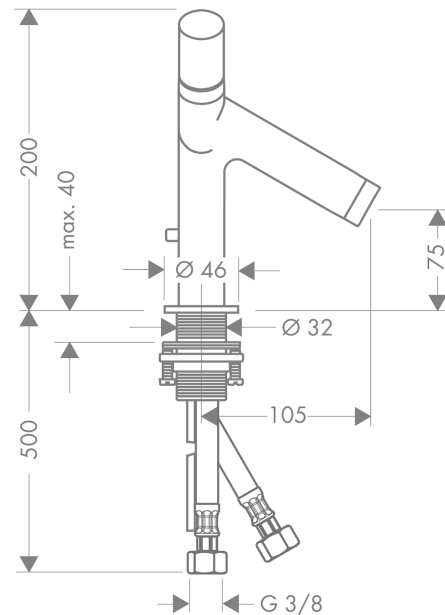


product  
design  
award  
1994

#### Product image



#### Scale drawing



**Axor Starck**

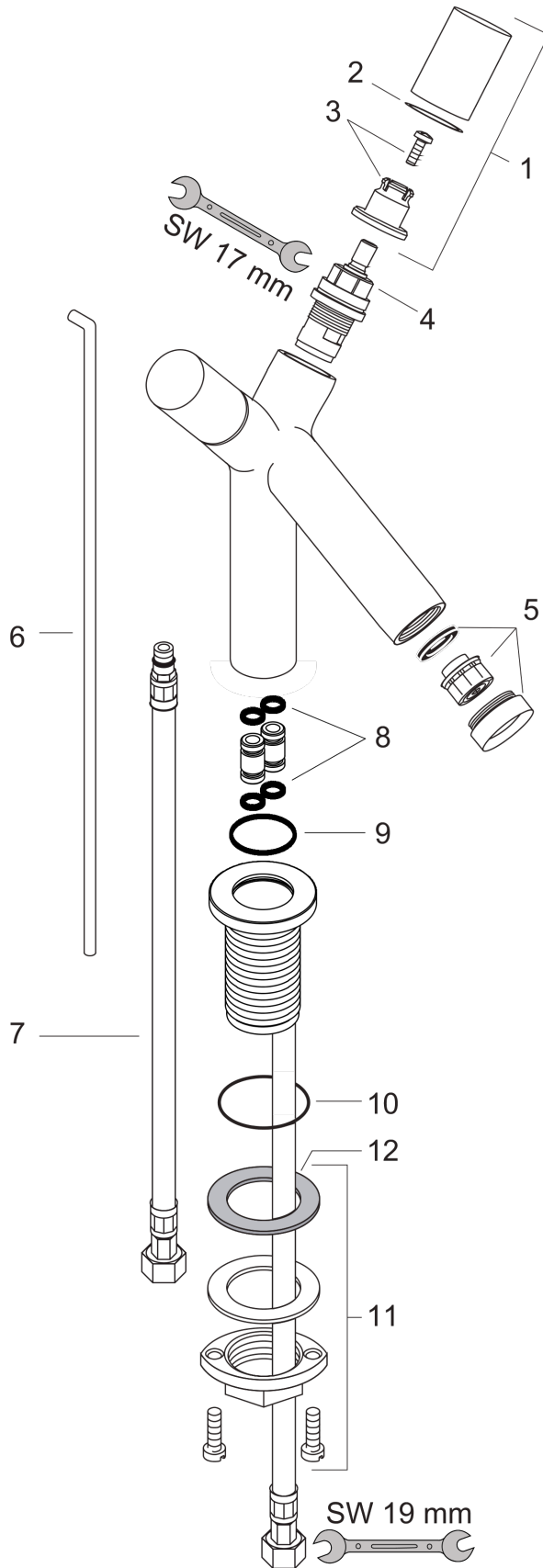
**2-handle basin mixer with pop-up waste set**

Surfaces: **chrome** Article Number: **10030000**



## Exploded Drawing

Year of production: **10/10 - 05/11**



**Axor Starck**
**2-handle basin mixer with pop-up waste set**

 Surfaces: **chrome** Article Number: **10030000**

**Spare part list**

 Year of production: **10/10 - 05/11**

Pos.	Description	Article Number	PC	PU
1	handle	96318000	12	1
2	set of color-rings cold / hot water	96319000	3	1
3	handle fixing set	94184000	2	1
4	shut off unit	94149000	8	1
5	aerator M24x1 (7 l/min)	94005000	7	1
6	pull rod	94083000	8	1
7	connection hose 450 mm M10x1 G3/8	96507000	9	1
8	O-ring 7x2	98419000	1	1
9	O-ring 26x1,5	98390000	1	1
10	O-ring 34x4	98155000	1	1
11	fixing set	13961000	7	1
12	lever collar	97548000	1	1
a	pop up waste	94139000	0	1
b	lever arm 340mm (ball-Ø15mm)	96004000	8	1
c	fixation extension 35 mm	13898000	12	1