

Geberit Sigma concealed cistern 12 cm (UP320)
Fremstillingsår 2008-
Gyldig for artikel

109.300.00.5	109.301.00.5	109.302.00.5	109.304.00.5	109.309.00.5
109.330.00.5	109.392.00.5	111.337.00.5	111.344.00.5	111.346.00.5
111.555.00.5	260.300.00.5	260.301.00.5	260.304.00.5	260.306.00.5
260.314.00.5	260.319.00.5	260.320.00.5	260.322.00.5	260.323.00.5
260.324.00.5	260.326.00.5	260.327.00.5	260.329.00.5	260.330.00.5

mere

Model navn

UP320 / Sigma 12 cm

PA nummer

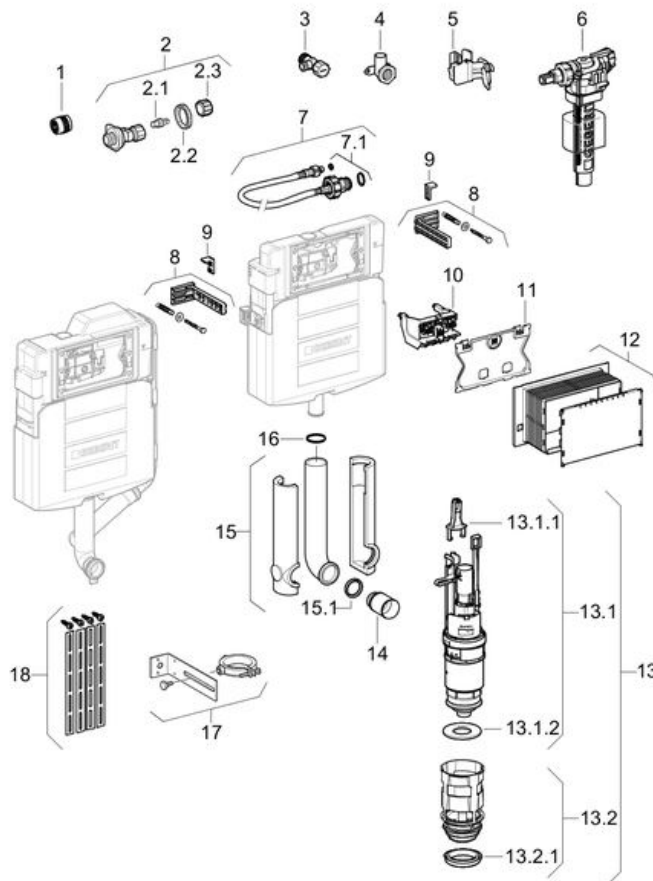
-

Dimension / Design

Service opening: 22 x 14 cm, cistern: 39.5 x 42.5 cm

Modulnummer

-



Pos.	Artikelnummer	Betegnelse	Bemærkninger
1	632.001.00.1	MepFix Adapter Ms MF20-Rp1/2	
2	240.269.00.1	angle stop valve to concealed cistern	
2	240.847.00.1	angle stop valve resistant to salt water	
2.1	240.298.00.1	spindel to angle stop valve	For use with hand wheel

2.2	241.857.00.1	counter nut plastic	
2.3	240.347.00.1	hand wheel for angle stop valve	
3	240.853.00.1	angle stop valve G1/2 NSP US	
4	240.851.00.1	Drop ear elbow	
5	240.923.00.1	fixation clip filling valve Sig12(UP300)	
6	240.705.00.1	FV Typ 380 sc 3/8" br f C/C spare	
6	242.984.00.1	FV Typ 380 sc 3/8" br f C/C spare UK	
6	240.719.00.1	FV Typ 380 sc 3/8" br f E/C CH	
6	240.784.00.1	FV Typ 380 sc 3/8" br f C/C IT	
6	240.714.00.1	FV Typ 380 sc 3/8" br NL/F	
6	240.717.00.1	FV Typ 380 sc 3/8" br f E/C BE	
6	240.715.00.1	FV Typ 380 sc 3/8" br f E/C AT	
6	241.469.00.1	FV Typ 380 sc 3/8" br spare US	
6		Geberit fill valve type 380, side connection	flere reservedele
7	240.921.00.1	Braided Hose for UP300 3/8"	
7	241.982.00.1	Braided Hose for Sigma 12cm (UP320)	
7	241.854.00.1	Hose 333 nut 3/8" for Sig12 dezinc.	
7.1	240.922.00.1	set of seals for RFB hose	
8	465.027.00.1	fastening bracket 16cm	
9	889.711.00.1	fixing slider, plastic	
10	241.829.00.1	Support block C/C Sigma-12	
11	241.824.00.1	Protection cover C/C Sigma-12	
11	242.315.00.1	Protection cover C/C Sigma-12 US	
12	241.826.00.1	Protection housing C/C Sigma-12	
13	241.858.00.1	Flush valve complete with basket	
13.1	240.622.00.1	outlet valve dual flush	
13.1.1	241.167.00.1	handle set to flush valve	
13.1.2	816.418.00.1	Geberit flat gasket for flush valve	
13.2	241.859.00.1	basket compl w/ seal and bushing	
13.2.1	241.868.00.1	section seal to basket after 2008	
14	362.796.92.1	protection plug PE-LD d44.6	
15	119.652.16.1	flush bend HD-PE d56/45 UP	
15.1	362.771.00.1	Seal for flush pipe	
16	892.975.00.1	O RING FOR 110.800 CISTERN	

17	241.378.00.1	Concealed flush pipe fixing set
18	241.017.00.1	slotted flat iron to concealed cistern

Relaterede reservedels liste

Geberit WC flush control with pneumatic flush actuation, single flush, concealed actuator
Geberit WC flush control with pneumatic flush actuation, single flush, concealed actuator
Geberit WC flush control with pneumatic flush actuation, single flush, concealed actuator
Geberit WC flush control with pneumatic flush actuation, dual flush, surface-mounted actuator
Geberit WC flush control with pneumatic flush actuation, single flush, with locked nuts, for institutions
Geberit WC flush control with pneumatic flush actuation, single flush, with locked nuts, concealed actuator, for furniture
Geberit actuator plate Rumba, Mambo, Tango, Sigma10, for stop-and-go flush
Geberit actuator plate Samba, Bolero, Sigma01, Sigma20, Sigma50, for dual flush
Geberit cover plate Sigma
Geberit actuator plate Sigma40, for dual flush, with integrated odour extraction unit