

**Geberit Duofix element for wall-hung WC, with Sigma concealed cistern 12 cm (UP320)
Fremstillingsår 2008-**
Gyldig for artikel

111.300.00.5	111.301.00.5	111.301.KJ.5	111.303.00.5	111.304.00.5
111.305.00.5	111.306.00.5	111.308.00.5	111.309.00.5	111.311.00.5
111.312.00.5	111.313.00.5	111.314.00.5	111.319.00.5	111.320.00.2
111.320.00.5	111.324.00.5	111.325.00.5	111.328.00.5	111.329.00.5
111.332.00.5	111.332.11.5	111.332.21.5	111.333.00.5	111.333.KJ.5

mere

Model navn

UP320 / Sigma 12 cm

Modulnummer

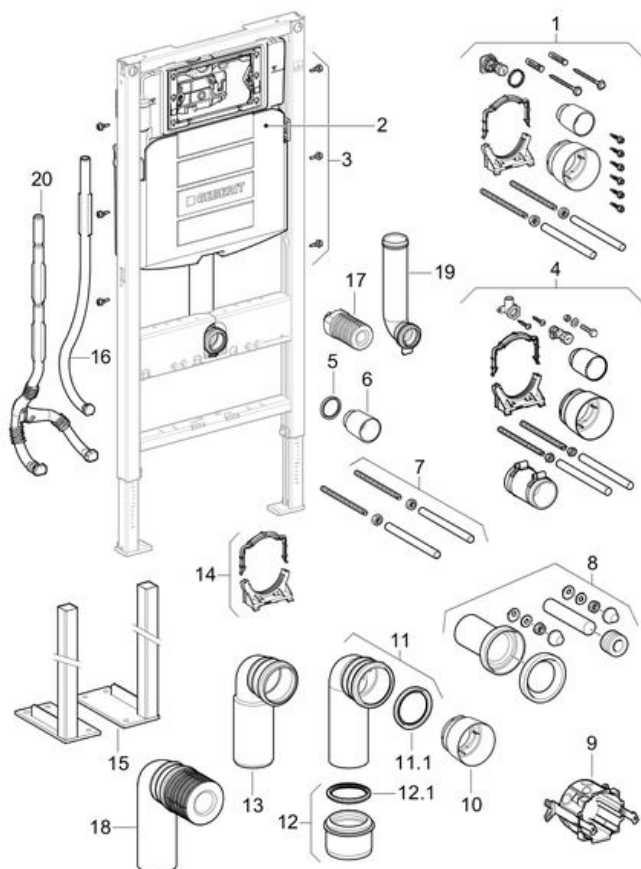
-

Dimension / Design

-

PA nummer

-



Pos.	Artikelnummer	Betegnelse	Bemærkninger
1	241.869.00.1	Assembly parts Duofix C/C Sigma-12	
2		Geberit Sigma concealed cistern 12 cm (UP320)	flere reservedele
2		Geberit Sigma concealed cistern 12 cm, for PEX connector (UP320)	flere reservedele
3	111.892.00.1	hexagonal self tapping screws	Multipack
4	242.314.00.1	Assembly parts Duofix C/C Sigma-12 US	

5	362.771.00.1	Seal for flush pipe	
6	362.796.92.1	protection plug PE-LD d44.6	
7	240.189.00.1	threaded rod M12 to wall mount. WC set-2	
8	152.426.11.1	ctionSet WWC PE-HD d90/45 L18.5	
8	152.426.46.1	ctionSet WWC PE-HD d90/45 L18.5	
8		Geberit connector sets for floor-standing WC and wall-hung WC	flere reservelede
9	241.302.00.1	housing for electric socket for PSU	Suitable for odour extraction unit with filtration
10	366.820.92.1	protection plug PE-LD d90	
11	366.061.16.1	ction bend PE-HD 90G d90/90 L22.5/11	
11.1	387.282.00.1	sleeve EPDM d90 f Kombifix	
12	367.928.16.1	adapter socket PE-HD d90/110	
12.1	387.282.00.1	sleeve EPDM d90 f Kombifix	
13	367.002.00.1	ction bend PVC 90G d100/90 L23/10.7	
14	242.012.00.1	pipe bracket complet to DF WC/ GIS WC	
15	111.849.00.1	Duofix leg support	
16	242.010.00.1	single conduit pipe AqC for Sig12	Until the End of 2012
17	242.609.00.1	Leakindicator for flush pipe	
18	367.997.16.1	tion bend PE-HD 90G d90/90 leakdetection	
19	242.698.00.1	Conc. flush bend DF Sig12/Del12 d56/45	Suitable for element width 50 cm
20	242.886.00.1	double conduit pipe f DF/GIS Sig12 Kap15	From 2013