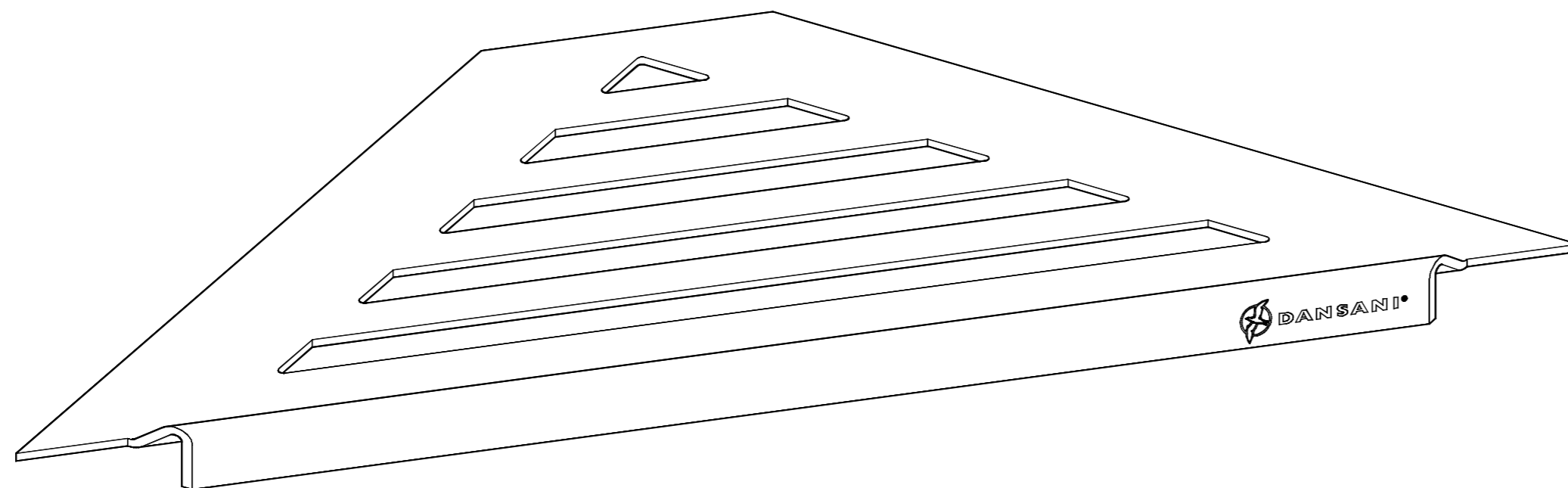
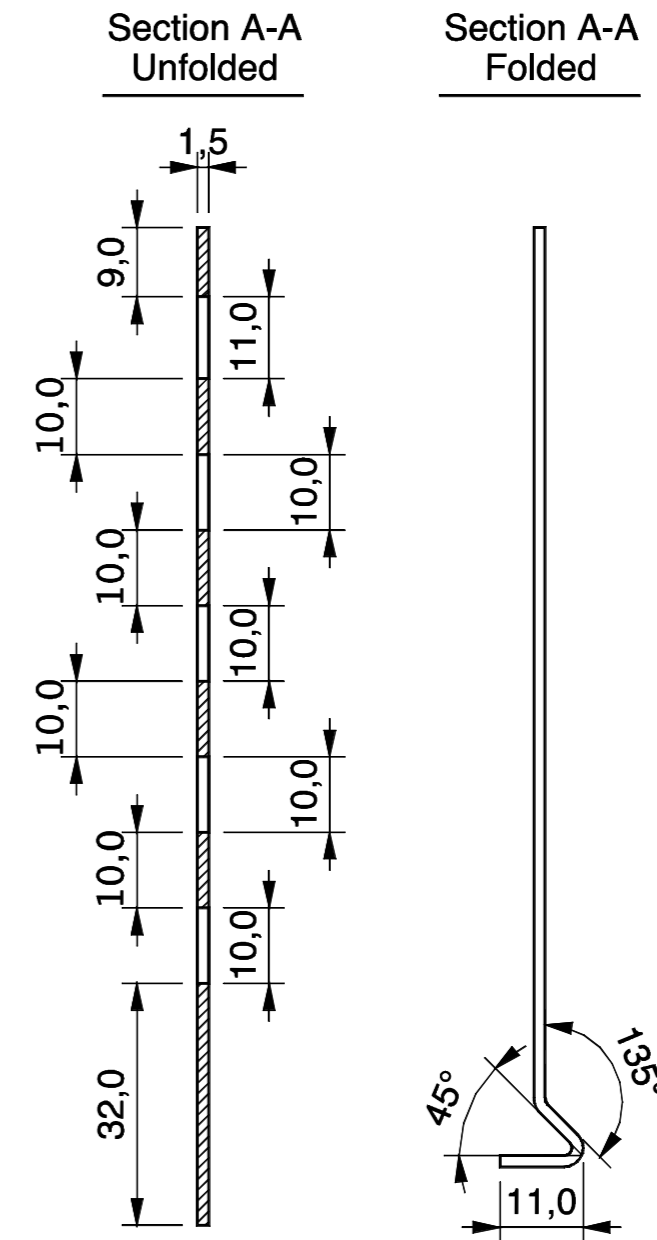
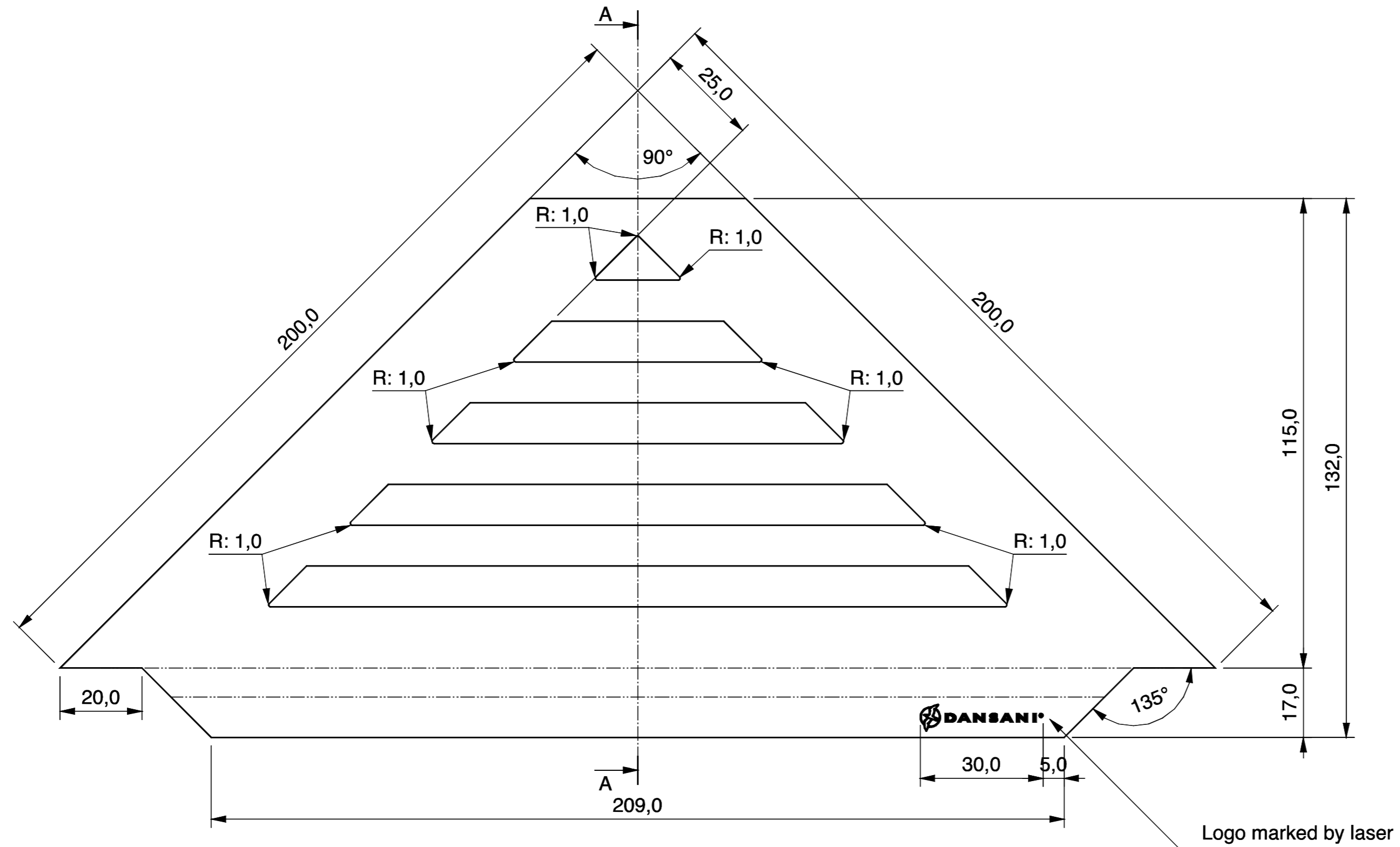


Component no.: 5440-000



Rev. no.:	Date:	Sign.:	Description:
2	06.05.22	RSL	Logo added
3	06.07.07	NM	Logo updated.
4	06.08.21	NM	Width of bended front decreased.

No.: <b>5440</b>	Date: <b>06.04.24</b>	Sign.: <b>NM</b>	No.: 5440
Serie: <b>Universal</b>	Subject: <b>Shower corner, vers. 1</b>		
Unit of measurement: mm	Third angle projection.	Scale: 1:1	

Material: Stainless steel AISI 304 General tolerances:	Surfaces:	Edges:
Length: +/- 0,2 mm.	(A) Direct visible.	Unless otherwise stated, edges should appear rounded R = 0,5 - 1,0 mm.
Angles: L < 500 mm. 0,5 mm	(B) Indirect visible.	
L > 500 mm. 1,0 mm	(C) Not visible.	

Unless otherwise stated, the above tolerances are valid. For other specifications please refer to the Dansani Quality Manual.

**DANSANI**  
 Dansani A/S • Finlandsvej 8 • DK-6100 Haderslev  
 Tel.: (+45) 73 22 29 00 • Fax: (+45) 73 22 29 90  
 DESIGN: Vecht & Kjær • Bredgade 25 G, 2. • DK - 1260 København K  
 Tel.: (+45) 33 93 44 84 • Fax: (+45) 33 93 44 85

Approved by: \_\_\_\_\_ Date of approval: \_\_\_\_\_

All rights belong to Dansani A/S. Reproduction, also in part, only by prior approval.