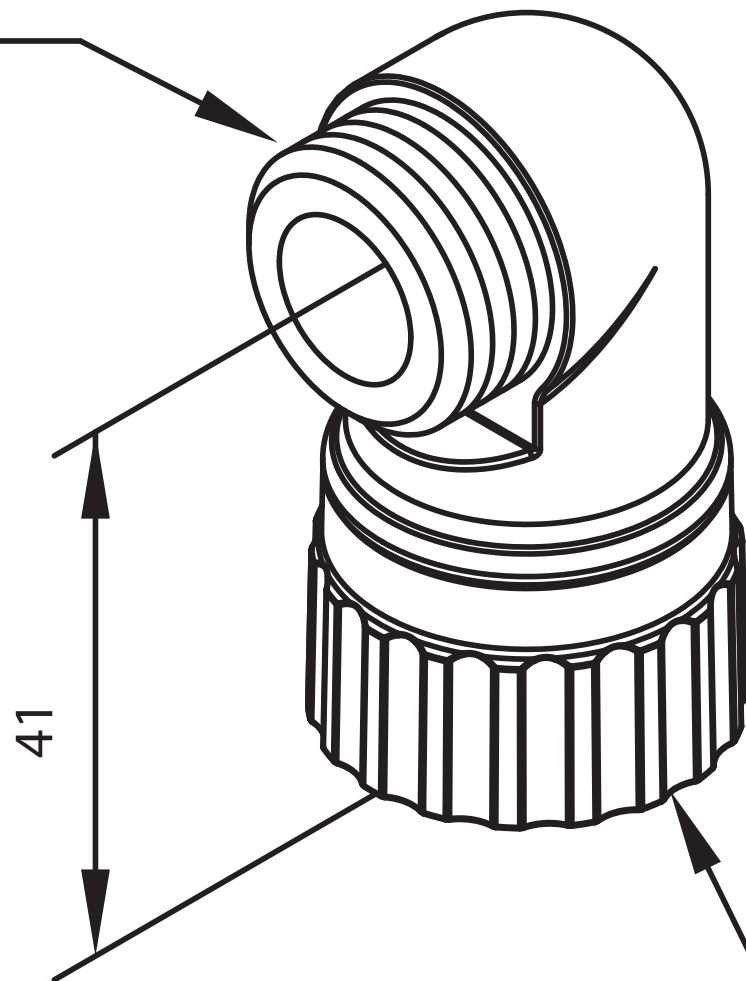


G1/2



G1/2