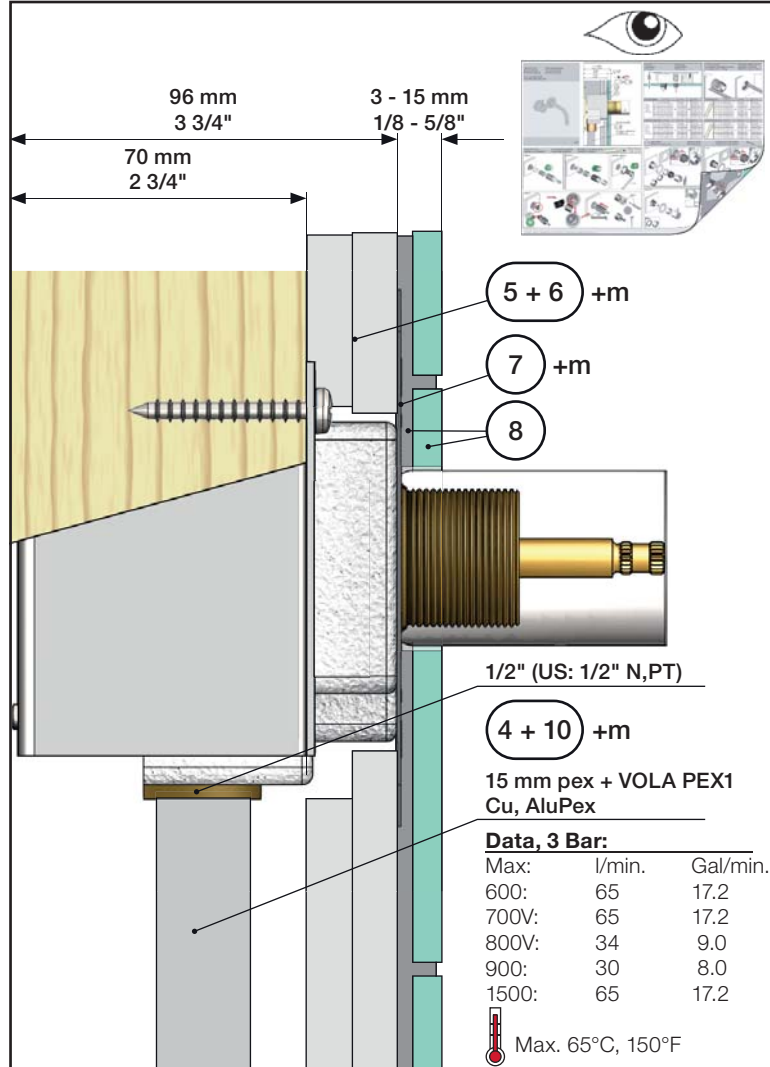
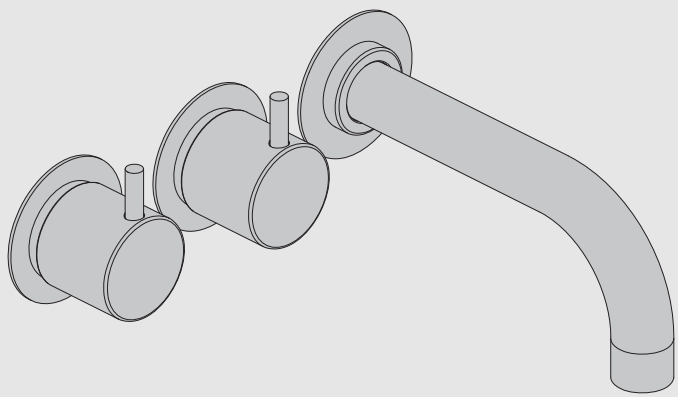


VOLA 600, 700, 700V, 900, 1500
 VOLA 800, 800V, 800N, 800NV, 800T, 800TV
 VOLA S20V, S40V

Fitting instruction
 Montageanleitung
 Monteringsvejledning

Monteringsvægledning
 Montage hanleiding
 Manuel de montage



Extension
Verlängerung
Forlængerdele

Förlängning
Verlengstücken
Modification

70 mm
2 3/4"

Max. 26 mm

Max. 1"

VR697

VR698

600, 700V, 800V: 2xVR697
 1500: 1xVR697+1xVR698
 900: 1xVR697

	VR697:	VR1400:	VR2019:
Tiles:	3 - 15 mm Standard	Standard	Standard
Fliesen:	15 - 25 mm VR697+10	VR1400+10	VR2019+10
Fliser:	25 - 35 mm VR697+20	VR1400+20	VR2019+20
Fliser:	35 - 45 mm VR697+30	VR1400+30	VR2019+30
Tegels:	45 - 55 mm VR697+40	VR1400+40	VR2019+40
Carreaux:	55 - 65 mm VR697+50	VR1400+50	VR2019+50

Extension, retrofit
Verlängerung, nachträglicher Einbau
Forlængerdele, eftermontering

Förlängning, eftermontering
Aanpassing na montage
Modification après installation

52 - 0 mm

-15 - 0 mm

	VR697:	VR1400:	VR2019:
Tiles:	39 - 54 mm Standard	Standard	Standard
Fliesen:	29 - 39 mm VR697+10	VR1400+10	VR2019+10
Fliser:	19 - 29 mm VR697+20	VR1400+20	VR2019+20
Fliser:	9 - 19 mm VR697+30	VR1400+30	VR2019+30
Tegels:	9 - (-1) mm VR697+40	VR1400+40	VR2019+40
Carreaux:	-1 - (-11) mm VR697+50	VR1400+50	VR2019+50

VA 1.42/19069, VA 1.42/19822, VA 1.42/19823,
 VA 1.42/19827, VA 1.42/19828

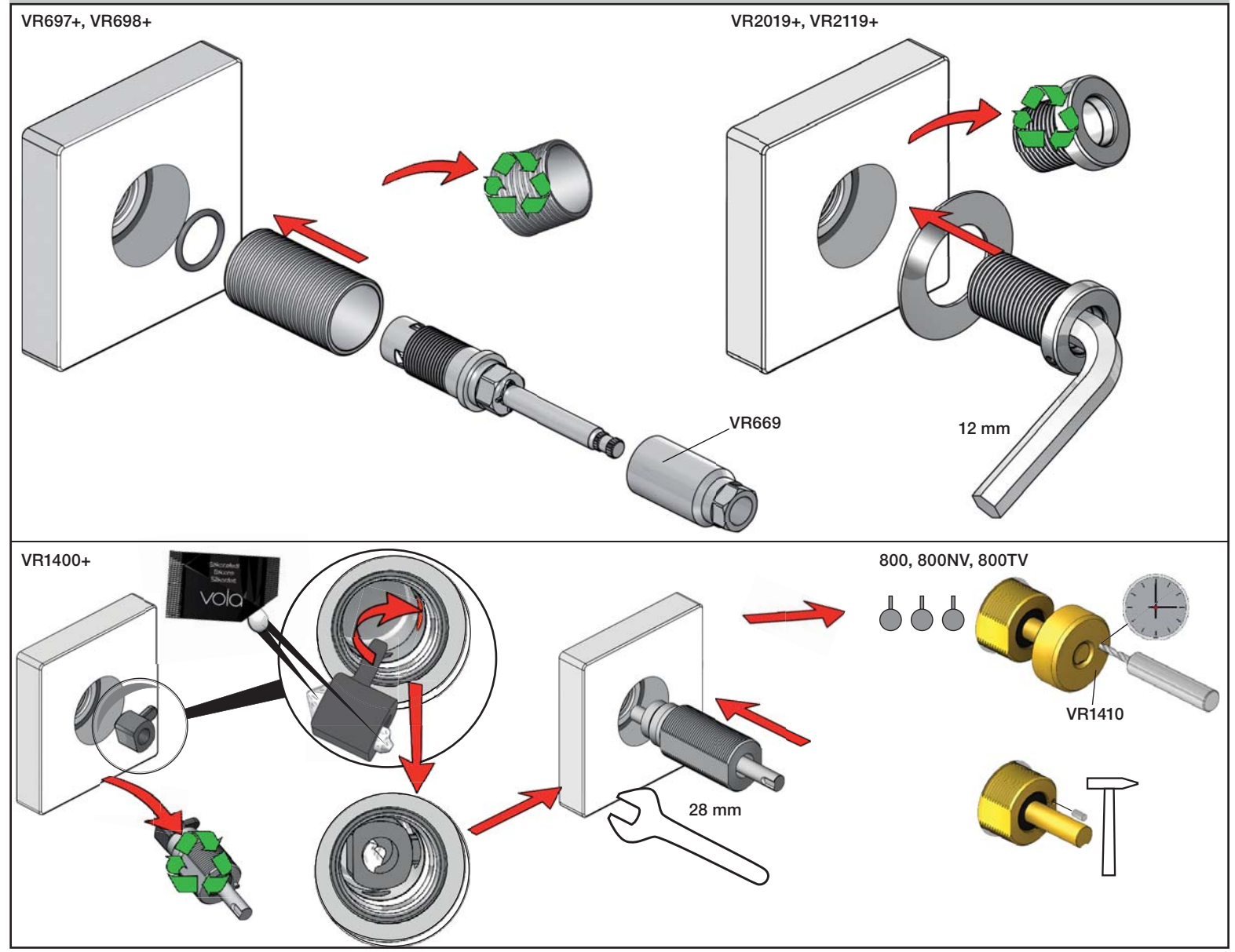
www.vola.com

vola

Fitting of extension
Montage von verlängerung

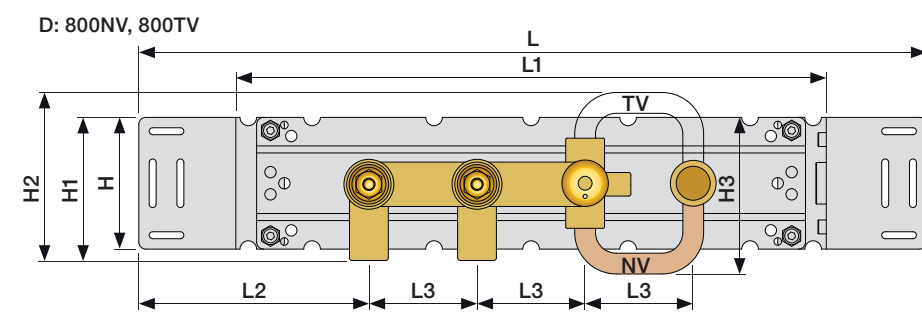
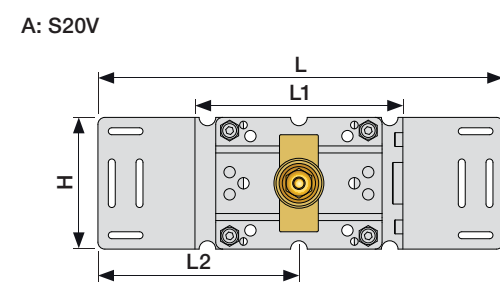
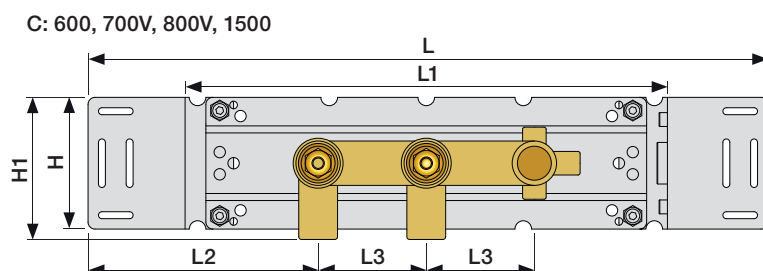
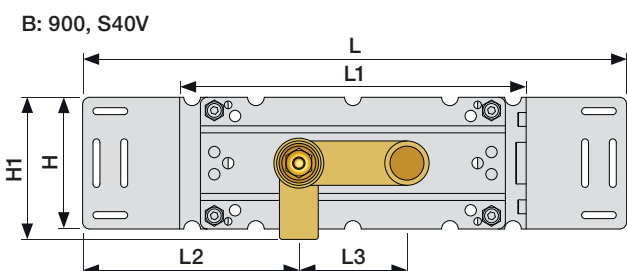
Montering af forlængerdele
Montering av förlängning

Montage van de verlengstukken
Montage des rallonges

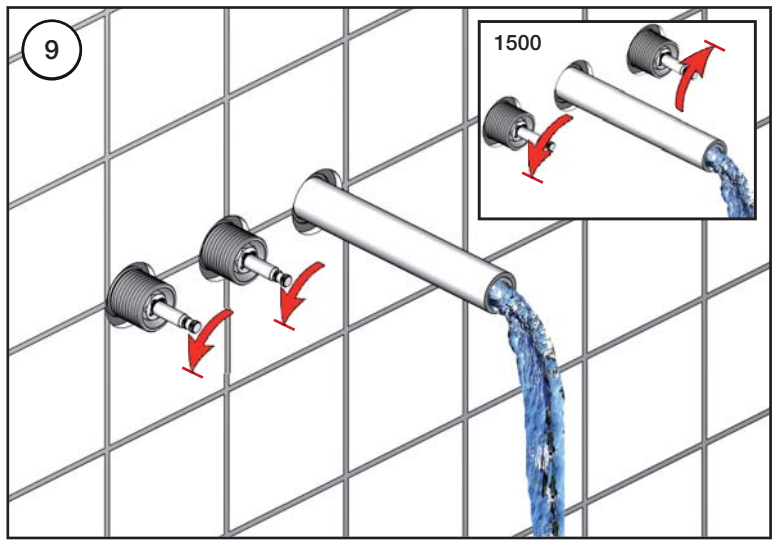
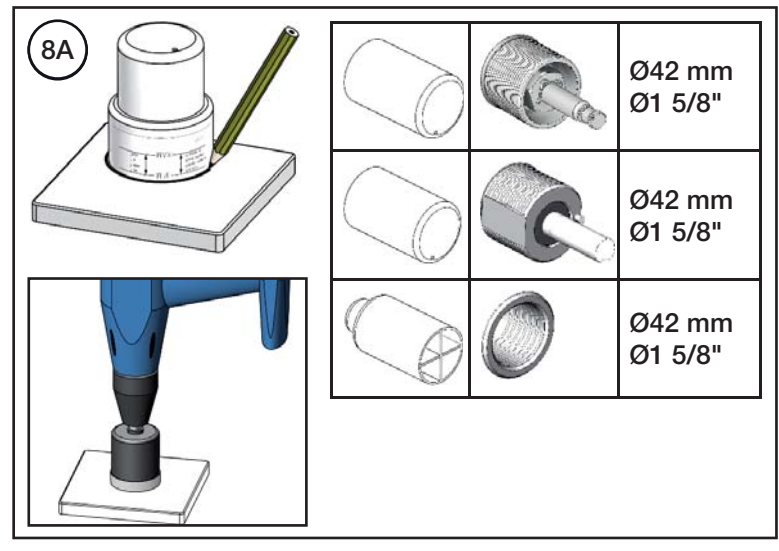
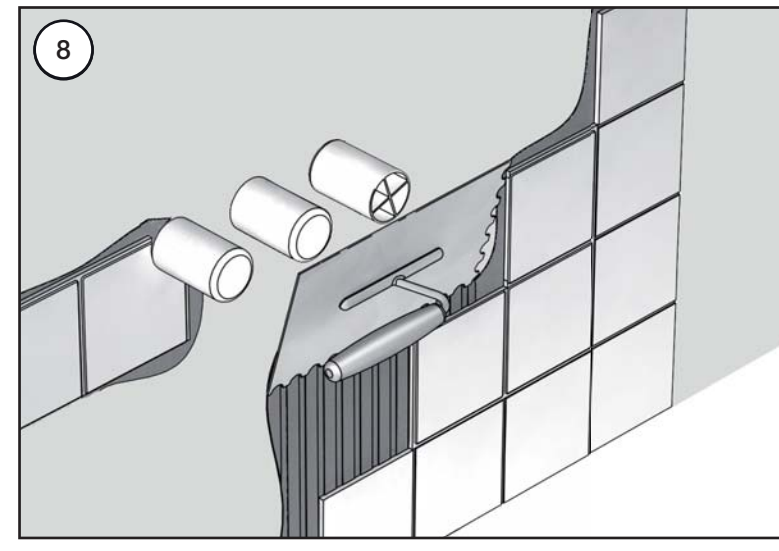
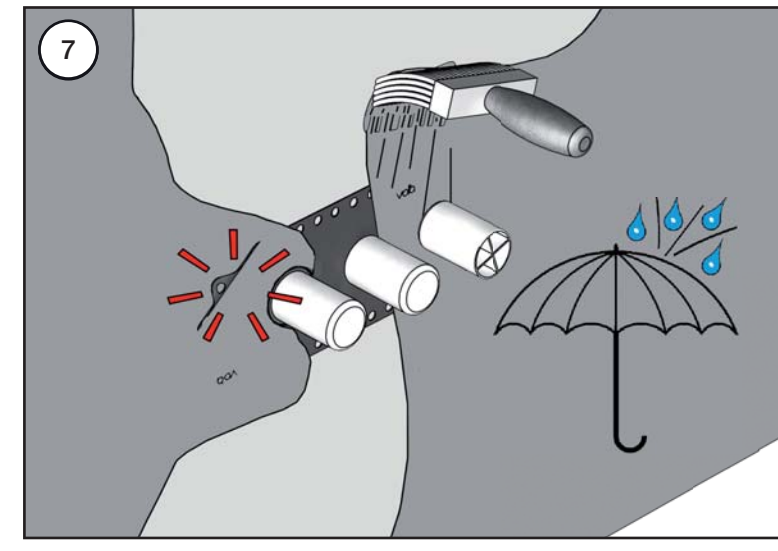
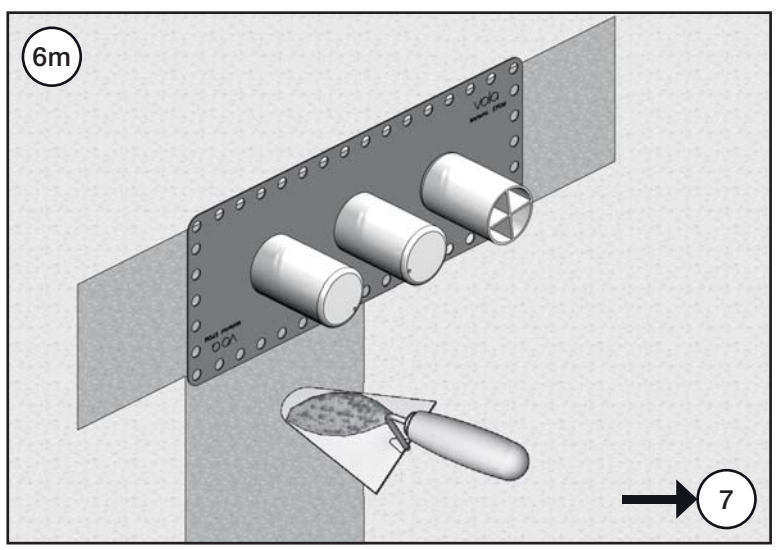
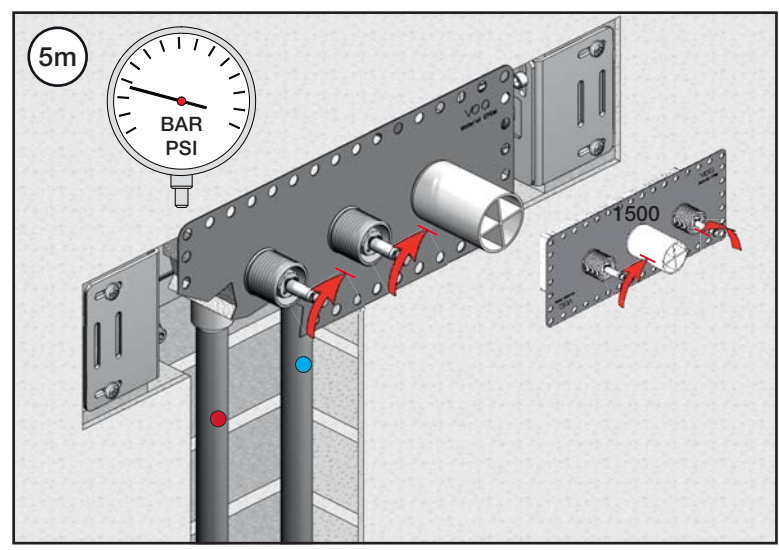
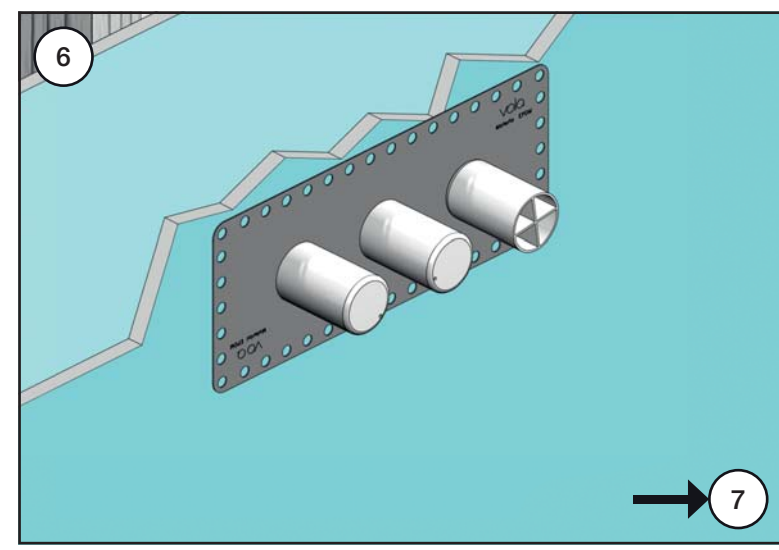
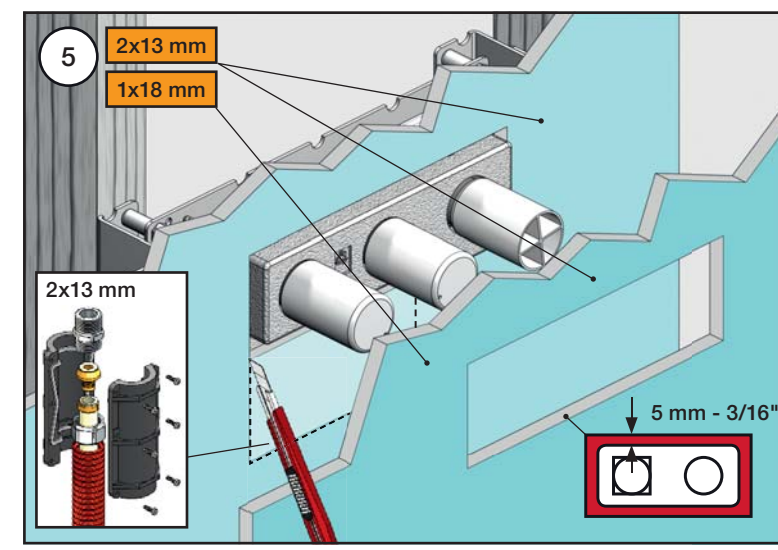
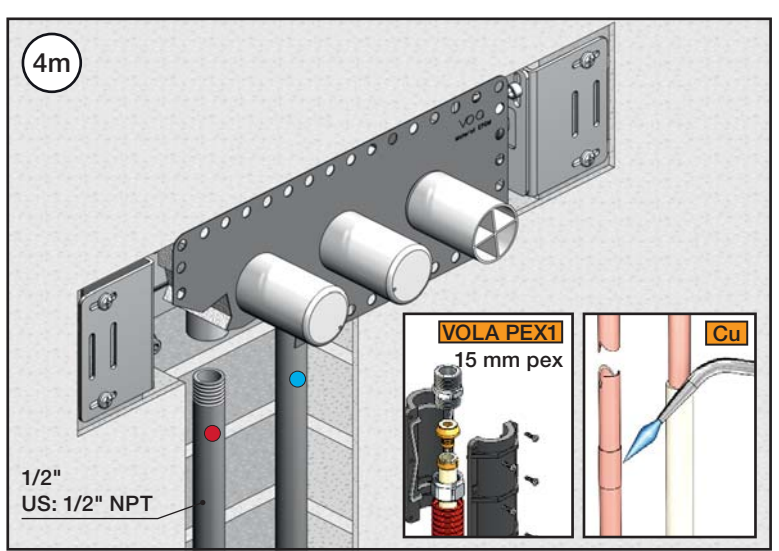
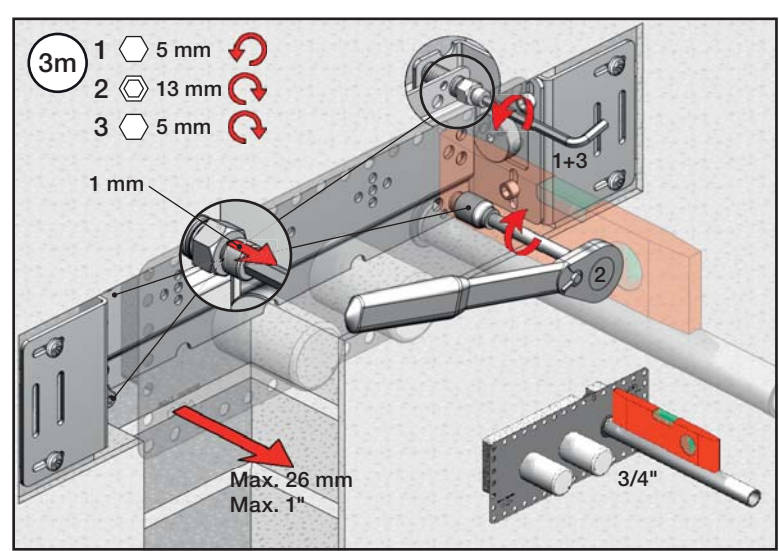
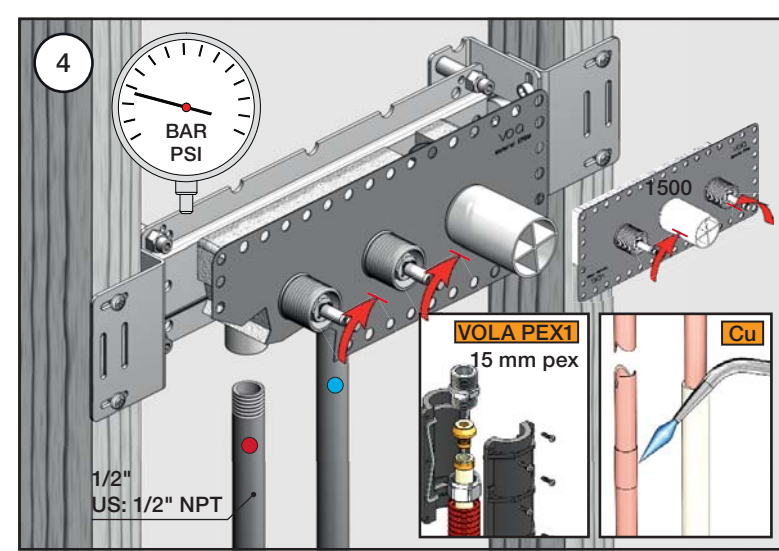
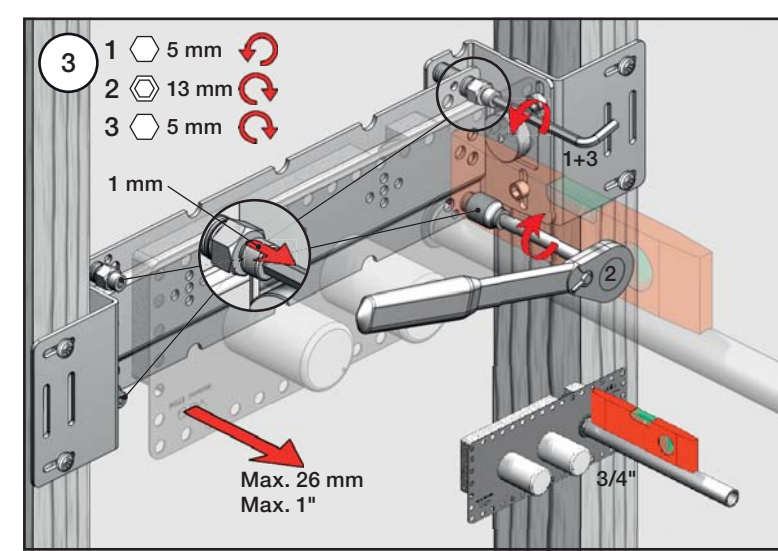
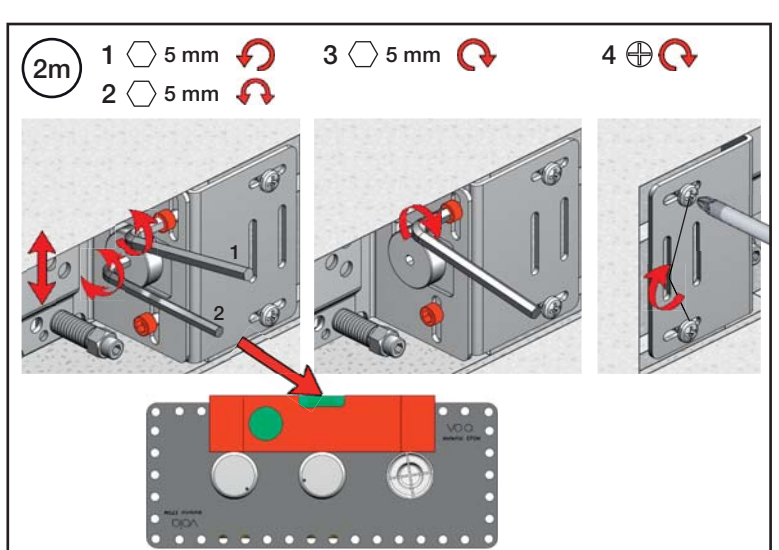
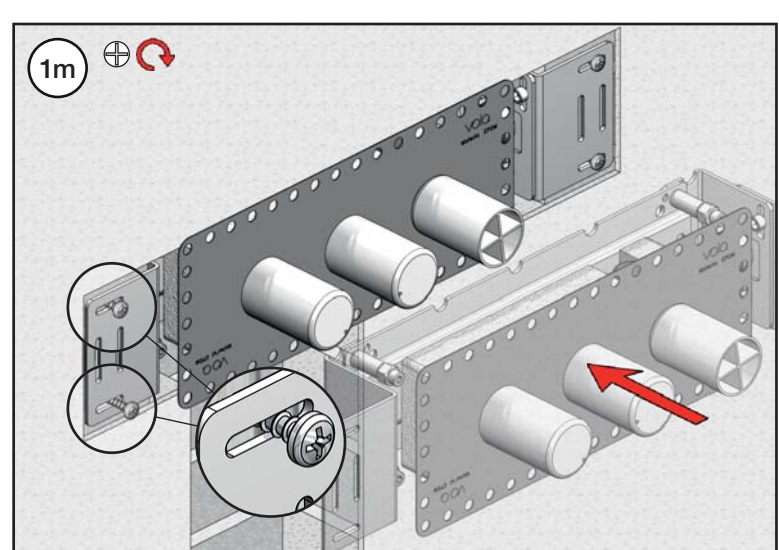
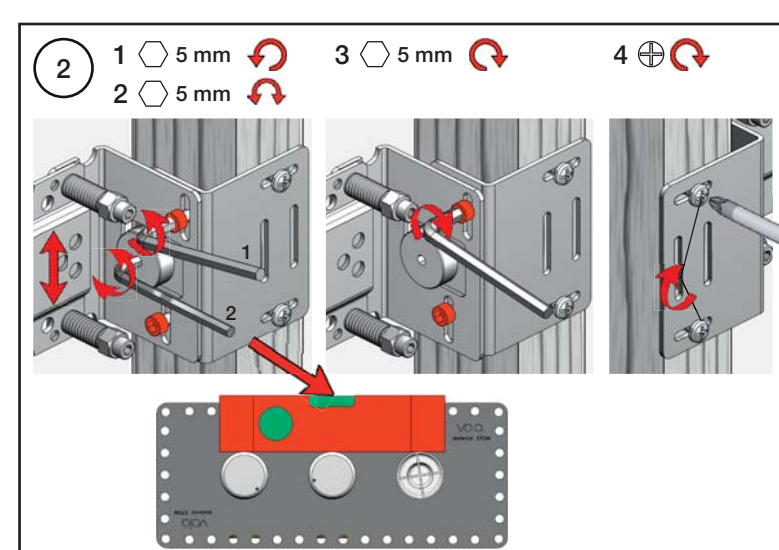
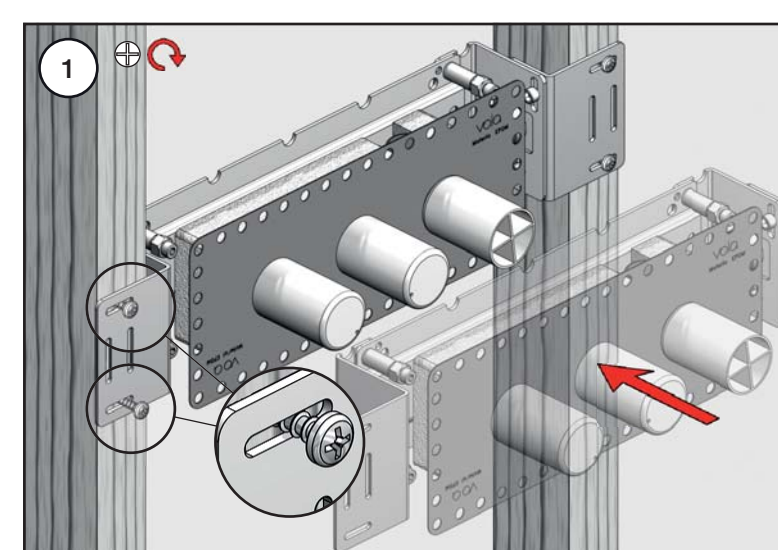


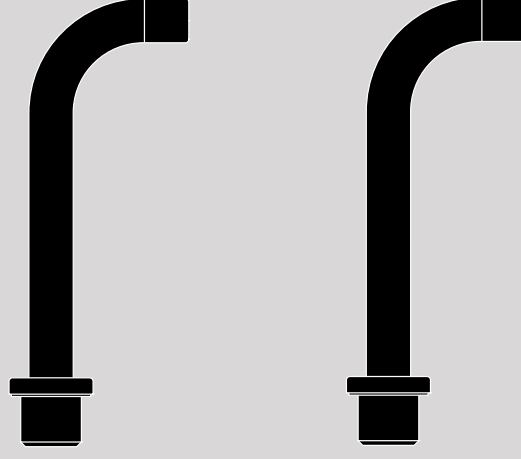
700: 700V + 200M
 800: 800V + 2 x 200M
 800N: 800NV + 200M
 800T: 800TV + 200M

	L	L1	L2	L3	H	H1	H2	H3
A	295 mm 11 1/2"	160 mm 6 1/2"	145 mm 5 3/4"	-	95 mm 3 3/4"	103 mm 4"	-	-
B	395 mm 15 1/2"	260 mm 10"	156 mm 6 1/8"	-			-	-
C	490 mm 19 1/2"	355 mm 14"	166 mm 6 1/2"	78 mm 3 1/16"			-	-
D	570 mm 23"	435 mm 17"	-	-			122 mm 4 3/4"	113 mm 4 1/2"



600-1500_V2 40999852





AUSTRALIA
 Hais Trading Pty Ltd
 2633 Leopold Street
 Darlinghurst
 NSW 2010 Sydney
 Tel: 2 9360 2722
 Fax: 2 9356 4042
 info@hais.com.au
 www.dedece.com

BELGIË
 OLA D'Yvo
 Yvo
 Havenlaan 86C
 1000 - Brussels
 Tel: 03 440 46 19
 Fax: 03 448 22 04
 sales@vola.be
 www.vola.be

CANADA
 Gingers Bath
 1000 West Beaver
 Toronto, Ontario
 M9B 4L9
 Tel: 416-787-1787
 Fax: 416-787-1748
 gingers@gingersbath.com
 www.elta.com

CHINA
 Badeluxe Trading Limited
 Basement 3
 CFCO Plaza
 No. 8 Jian Guo Men Nei Avenue
 Dong Cheng District
 Beijing 100005 China
 Tel: (86) 010 6526 1363
 Fax: (86) 010 6526 1373
 info@badeluxe.com

DANMARK
 VOLA A/S
 8700 H.C. Ørsted
 Tel: + 45 70 23 55 00
 Fax: + 45 70 23 55 11
 sales@vola.dk
 www.vola.dk

DEUTSCHLAND
 VOLA GmbH
 Schwanthaler Straße 75A
 80335 München
 Tel: 089/598959-0
 Fax: 089/598959-80
 vola@vola.de
 www.vola.de

ESPAÑA
 DEE
 Carrer del Palars, 6 - 4ª 1ª
 E-08402 Granollers, Barcelona
 Tel: +34 93 91 105 535
 Fax: +34 93 91 105 535
 comco@comco.es
 www.vola.es

ESTONIA
 Hais Interiors OÜ
 Kadaka tee 42H
 12915 Tallinn
 Tel: 71 514 10
 Fax: 71 514 11
 hais@hais.ee
 www.hais.ee

FRANCE
 sophia bath
 4 rue de la
 République
 75009 Paris
 Tel: 01 42 81 25 85
 Fax: 01 40 16 45 18
 sophia@sophia.fr
 www.sophia.fr

GREAT BRITAIN
 VOLA UK Ltd
 Unit 12, Amphill Business Park
 Station Road, Amphill
 Bedfordshire MK45 2QW
 Tel: 01525 84 11 55
 Fax: 01525 84 11 77
 sales@vola.co.uk
 www.vola.co.uk

HELLAS
 moda bagno s.a.
 50 Anapafseos Street
 Vrilissia 15 235, Athens
 Tel: 210 6367000
 Fax: 210 6367000
 M&B 419
 info@modabagno.gr
 www.modabagno.gr

HONG KONG
 porfolio group limited
 Seabright Plaza
 9-23 Shell Street
 Hong Kong
 Tel: 28 680 765
 Fax: 25 247 887
 sales@pfltd.com.hk
 www.pfltd.com.hk

H2O Pro Ltd.
 16/F First Commercial Building,
 33 Leighton Road
 Causeway Bay
 Tel: 852 2891 6660
 Fax: 852 2834 3029
 info@h2opro.com.hk
 www.h2opro.com.hk

ISLAND
 Tengli ehf.
 Smidjuvegur 76
 200 Kópavogur
 Tel: 414-1000
 Fax: 414-1001
 www.tengli.is

ITALIA
 RAPSEL Spa
 Via Volta, 13
 20019 Sesto San Giovanni
 Milano (MI)
 Tel: 02 3350 1306
 Fax: 02 3350 1306
 rapsel@rapsel.it
 www.rapsel.it

KOREA
 E.L. System Co. Ltd.
 1000 Jung B/D
 898-12
 Bangbae 1dong
 Seocho-Gu
 Seoul
 Tel: 82-2-598-4517
 Fax: 82-2-521-3786

KYPRIAKI DIMOKRATIA
 Hais Interiors Ltd.
 3, Gregorou Karekia str.
 Strovolos
 P.O. Box 21703
 1512 Nicosia
 Tel: 22 813 200
 Fax: 22 424 803
 info@hais.com.cy

LATVIA
 Hais Trading Ltd.
 Aizkraules
 1004, Riga
 Tel: 7629561
 Fax: 7627190
 info@haislatvian.lv
 www.hais.lv

LEBANON
 Gearcham Group
 S.E.I.T.I.
 Gearcham Building
 Hayek Round About
 Beirut
 Tel: 01-480 520
 Fax: 01-496 607
 info@gearchamgroup.com
 www.gearchamgroup.com

MEXICO
 Productos de Latón
 de Alta Calidad SA de CV
 General Juan Cano 27 1
 San Miguel Chapultepec
 MX-11850 México D.F.
 Tel: 01800 2253946
 Fax: 01655 26 14 9312
 p-lac@prodlaton.com
 www.prodlaton.com

NETHERLAND
 VOLA Sanitair BV
 Valkenburgstraat 23
 1011 MG Amsterdam
 Tel: 020 36 56 356
 Fax: 020 36 56 482
 info@vola.com
 www.vola.com

NIPPON
 Cera Trading Co., Ltd
 TOTO Nogizaka BLDG., 1-24-3
 Minato-Ku
 Tokyo 107-0069
 Tel: 81-3-3402-6151
 Fax: 81-3-3402-7185
 www.cera.co.jp

NORGE
 shelby teknikk as
 Strandgaten 55
 4370 Egersund
 Tel: 511 46 18 01
 Fax: 511 46 18 01
 post@shelby.no
 www.shelby.no

ÖSTERREICH
 VOLA Vertriebs GmbH
 Kandlgasse 19
 1070 Wien
 Tel: 01 528 39 71-0
 Fax: 01 528 39 71-20
 info@vola.at
 www.vola.at

PORTUGAL
 CARVALHO, BATISTA & Ca, Sa.
 Rua do Almada
 29-19-89
 Apartado 4784
 Tel: 22 339 21 26 / 7 / 9
 Fax: 22 205 36 11
 carvalhobatista@mail.telepac.pt
 www.carvalhobatista.com

SCHWEIZ
 Hais Trading Ltd.
 Müstlistr. 48
 8320 Fehraltorf
 Tel: 044/955 18 18
 Fax: 044/955 18 19
 sales@vola.ch
 www.vola.ch

SINGAPORE
 Volumetive Pte Ltd.
 Thomson Road,
 #01-15, The Centre,
 Singapore 079004
 Tel: +65 6348 2508
 Fax: +65 6348 2507
 sales@volumetivehome.com

SLOVENIA
 Moderna d.o.o.
 Perlečeva 31
 SI-1000 Ljubljana
 Tel: 01 25 66 01 95
 Fax: +386 236 21 83
 info@moderna.si
 www.moderna.si

SOUTH AFRICA
 Still the bathroom gallery
 Unit 111A, The Foundry
 Green Point Cape Town
 South Africa 7800
 Tel: 021 421 9970/2
 Fax: 021 421 9971
 info@stillbathrooms.co.za
 www.stillbathrooms.co.za

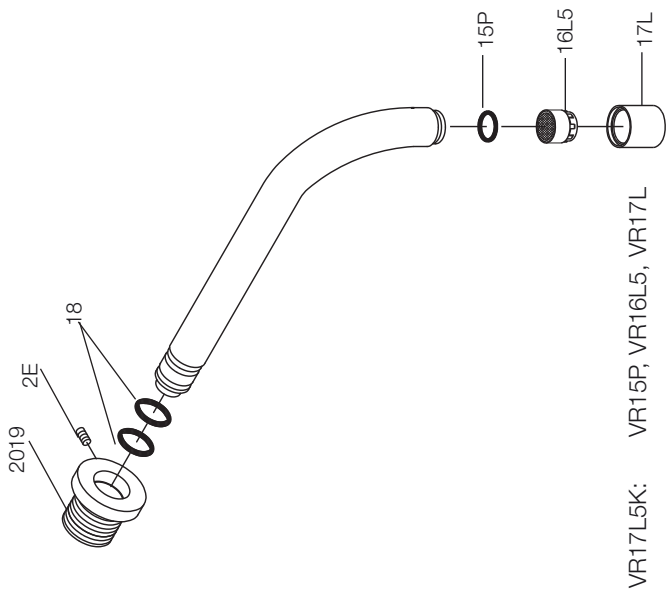
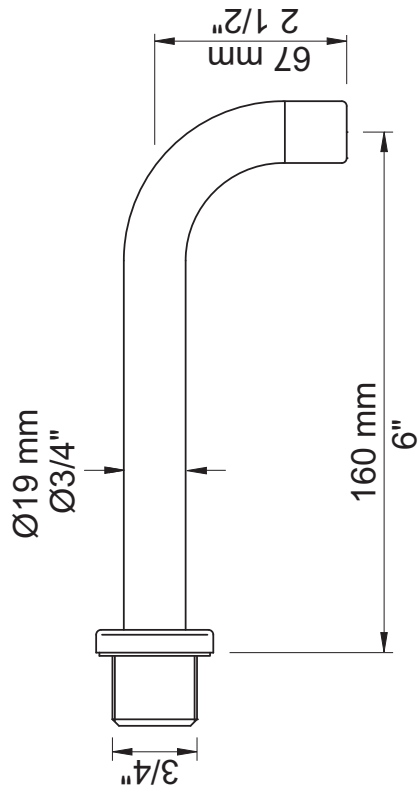
SUOMI
 INNO-TUOTE OY
 Main office and production
 TAHDENLONKONTIE 9
 02240 Eerika
 Tuusula
 Tel: 09 8870 380
 Fax: 09 8870 3833
 info@innointerior.fi
 www.inno.fi

SVERIGE
 VOLA ab
 Ruddammsgatan 14, 2
 S-803 20 Gävle
 Tel: 026-140230
 Fax: 026-140231
 sales@vola.se
 www.vola.se

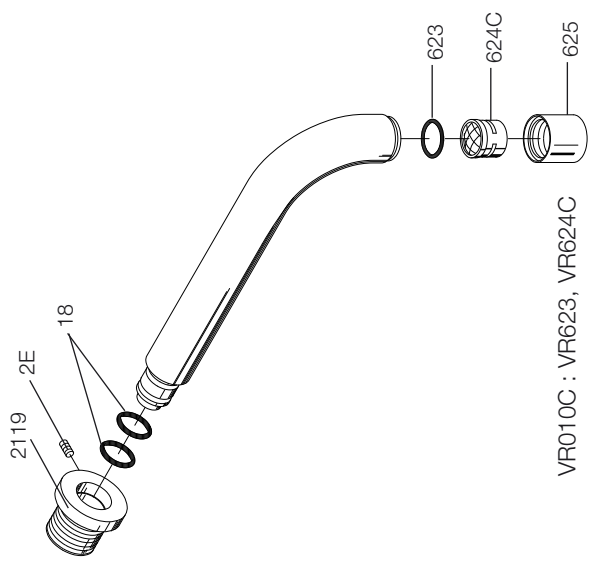
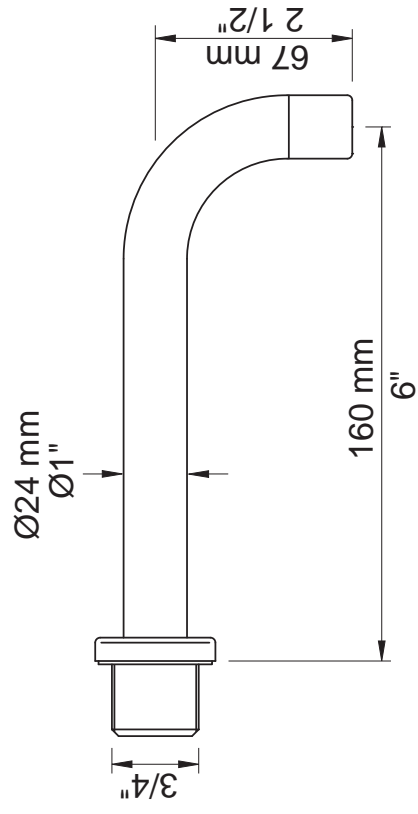
UNITED ARAB EMIRATES
 Sanipex LLC
 Sheik Zayed Road
 P.O. Box 30871
 Dubai
 Tel: 971 4 338 5660
 Fax: 971 4 339 5671
 www.sanipexdubai.com

UNITED STATES
 Haisrugs Tile and Bath Collection
 30 Commercial Street
 Freeport, NY 11520
 Tel: 516-379-8500
 Tel: 800-351-0088
 Fax: 516-223-8495
 vols@haisrugs30.com
 www.haisrugs30.com

VOLA 010




VOLA 010C



VOLA 070, 070R, 070-HT2

Fitting instruction
 Montageanleitung
 Monteringsvejledning
 Monteringsvægledning
 Montage hanleiding
 Manuel de montage

Data	Bar:	1	2	3	4	5
	(l/min)	9	9	9	9	9
	(Gal/min)	2.5	2.5	2.5	2.5	2.5
	Max. 65°C. 150°F					

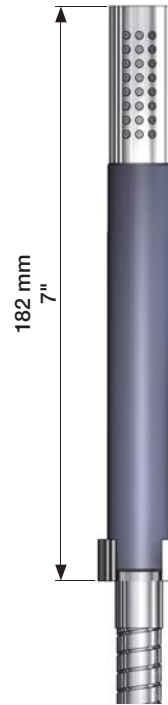


VR161:

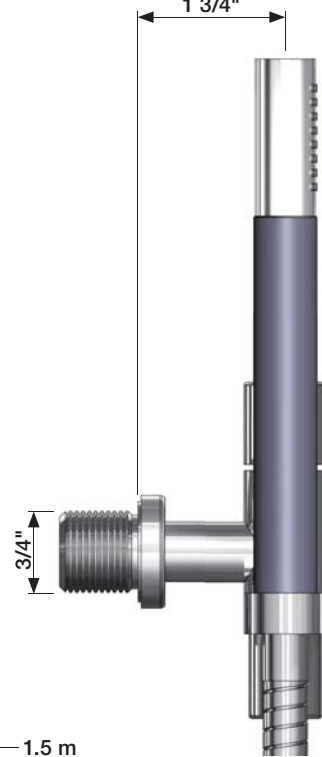
VR161K: 7 l/min - 1.85 Gal/min (Cal Green)



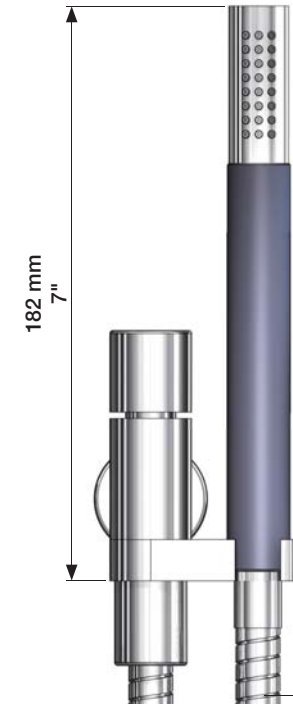
070



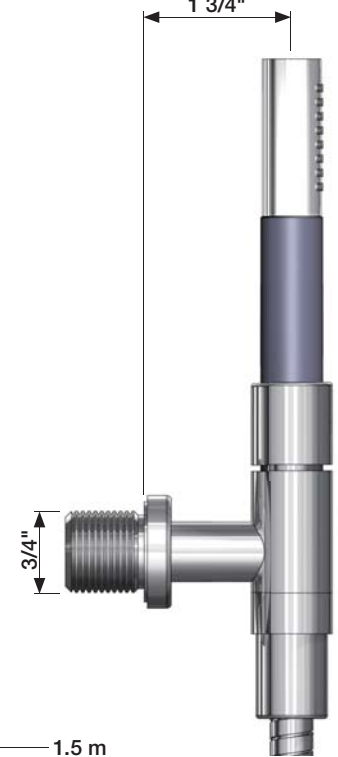
45 mm
1 3/4"



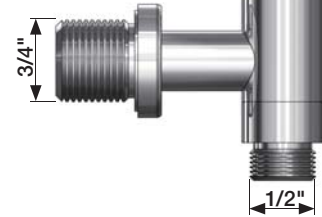
070R



45 mm
1 3/4"

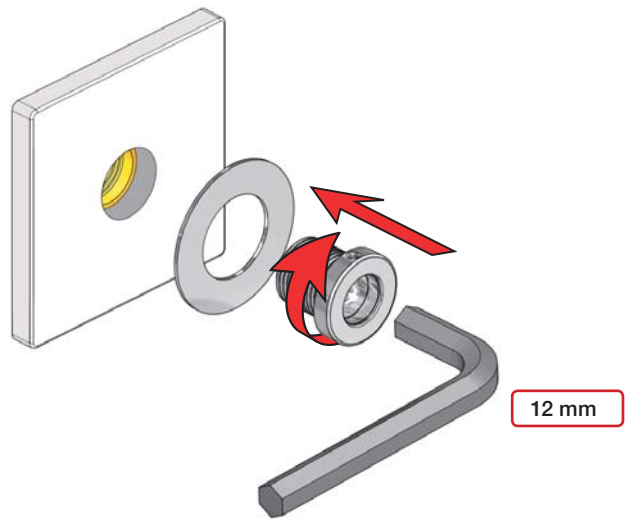


070-HT2

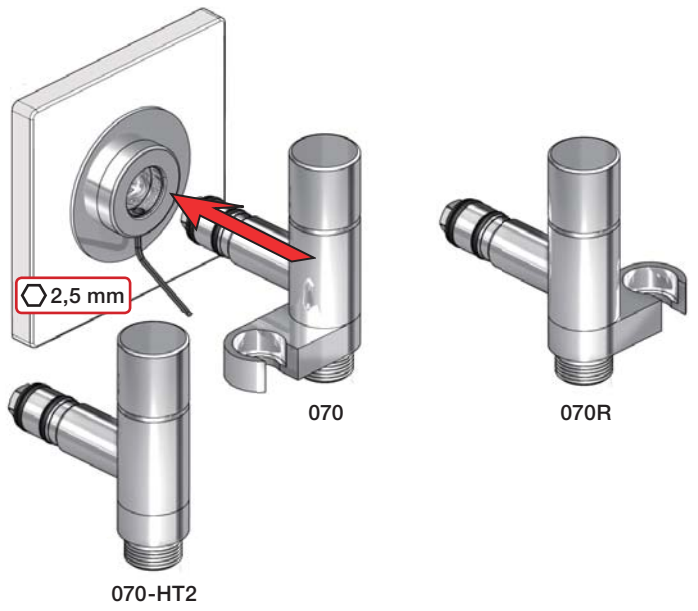


VA 1.55/18318

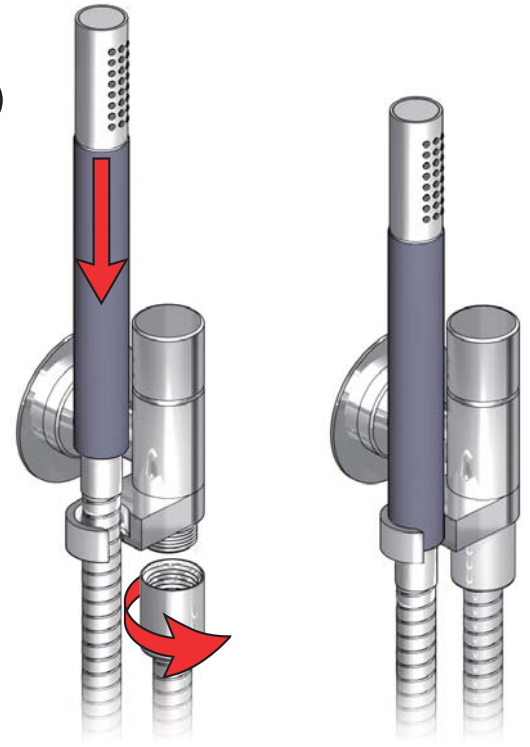
1



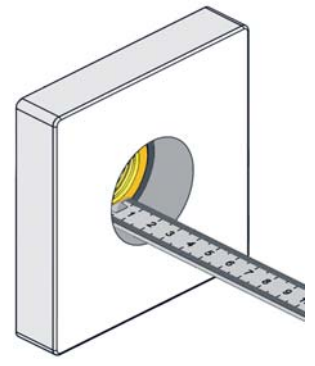
2




3



Extension Forlængerdele Verlangstukken
 Verlängerung Förlängning Modification



		VR2019: 
Tiles:	3 - 15 mm	Standard
Fliesen:	15 - 25 mm	VR2019+10
Fliser:	25 - 35 mm	VR2019+20
Tegels:	35 - 45 mm	VR2019+30
Carreaux:	45 - 55 mm	VR2019+40
	55 - 65 mm	VR2019+50

VR2019+

