

## Toilet seat Subway

### Model

9955 S1 Subway toilet seat with Soft Closing and Quick Release, incl. 9220 55 61 universal toggle hinge with lift-off

### Product Description

Subway toilet seat in Wrap Over design made of colour ingrained duroplast with hinges in stainless steel and plastic

- incl. universal toggle hinge with lift-off in stainless steel
- centre distance 140-220 mm
- load of ring seat: 240 kg
- 10 year guarantee

### Colour Programme

- 01 White (Alpin)
- 09 Pergamon
- R2 Star White (ActiveCare)
- R5 Manhattan
- S3 Edelweiß

### Hinge Finish

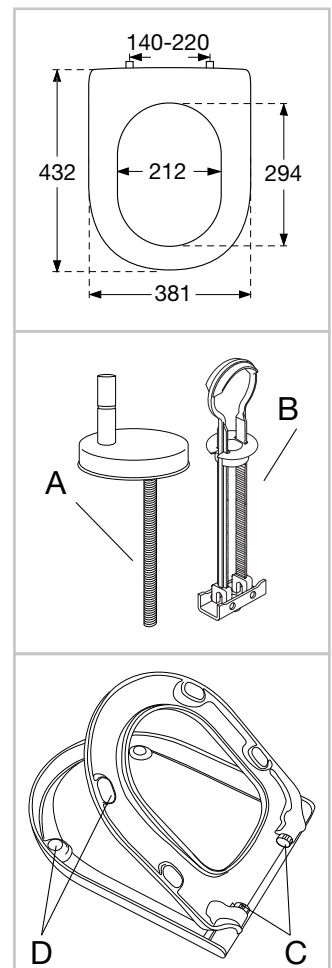
- 61 Stainless steel

### Spare Parts

- A) 9220 55 61 Universal toggle hinge with lift-off
- B) 9218 96 00 Spare part for toggle hinge
- C) 9220 14 00 Soft Closing packet
- D) 9220 81 00 Buffer for seat and cover

### Additional Information

For further information such as mounting instruction or video mounting documentation please go to the previous page and press downloads



# Toilet seat Subway

## Material Description

### TOILET SEAT:

The material is colour ingrained duroplast (UF A 10 = urea formaldehyde) that contains no environmentally hazardous substances. The body consists of approx. 50% urea (NH<sub>2</sub>CONH<sub>2</sub>), approx. 25% cellulose and approx. 25% formaldehyde (HCHO), as well as small amounts of various fillers and additives

### BUFFERS:

EVA (copolymer made of ethylene and vinyl acetate)

### DAMPER KIT:

Hydraulic damper with stainless steel damper casing and plastic parts  
Damper liquid: Anti-friction liquid

### MOUNT/HINGES:

Stainless steel

## Cleaning Instructions

Use a mild soap solution. Seat and hinges should not be left damp, but be dried with a soft cloth. When using abrasive, corrosive or chlorine based cleaners for the bowl, avoid contact with seat and hinges as it may lead to damages or flash rust. Therefore, when cleaning the bowl, make sure that seat and cover are in an upright position until all the cleaner has been flushed away

## Guarantee

The guarantee includes faults or defects in the material of our products within a periode of 10 years. Products subject to minor technical modifications and design deviations E. & O.E.

