

Product Documentation



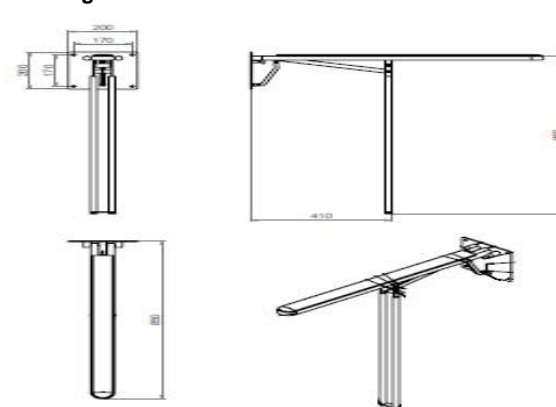
Product Name: Grab rail, hinged cantilever, 850mm, DIN

Article Number: 14.7500.02.850
Satin stainless steel
16.7500.01.850
Polished stainless steel

Photo:



Drawing:



Product Information:

Material: AISI 316 stainless steel
Surface finish: Satin 320 grain or polished
Material thickness / Radius: Ø19
Height: 850mm Width: 200mm Depth: 850mm

"Type design guidelines here"

Certificate: -
Warranty: 20 years (non moveable parts)

Spare Parts / Accessories:

Mounting:
Drill template is enclosed with product

Maintenance:
Wash down with mild detergent, rinse off with clean water and dry off with soft dry cloth.

Product Specification:

d line Hinged cantilever disabled grab rail 850 mm AISI 316 satin stainless steel

The high humidity levels in the bathroom setting necessitates the use of a non-corrosive rustresistant stainless steel. the only metal used in d line's bathroom fittings is AISI 316, also known as marine quality stainless steel.

Related Products:

14750302850, Padding profile for grab rail
14750102001, Toilet roll holder f.grab rail, f/14.7500"

Packing
1 pc. per kolli

Environment:
No environmental risk and no risk of fire