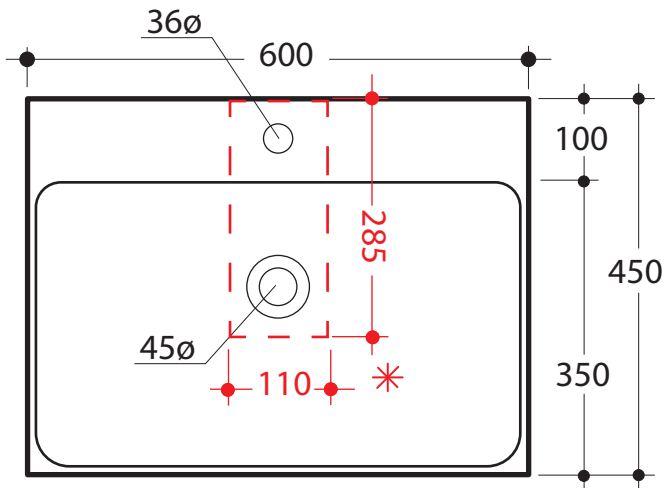


Cento 50

Art. 20651



* Udkæring
recommended hole on the top

