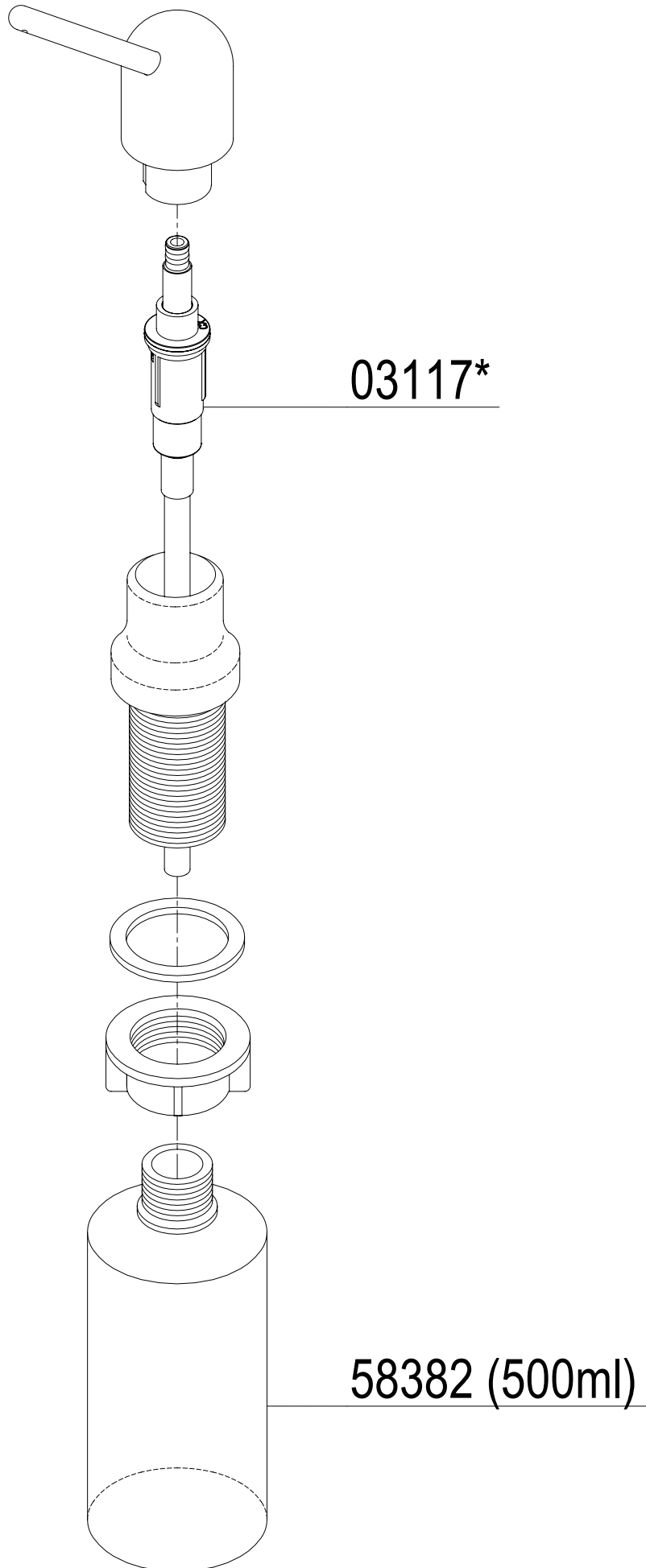


48000/48084



* after may 2010