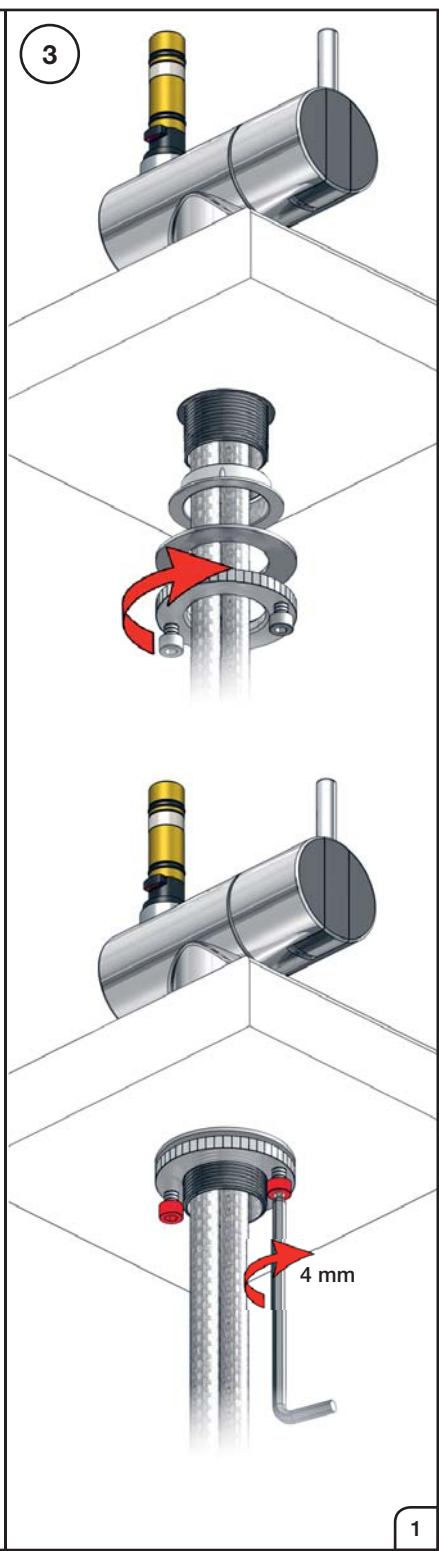
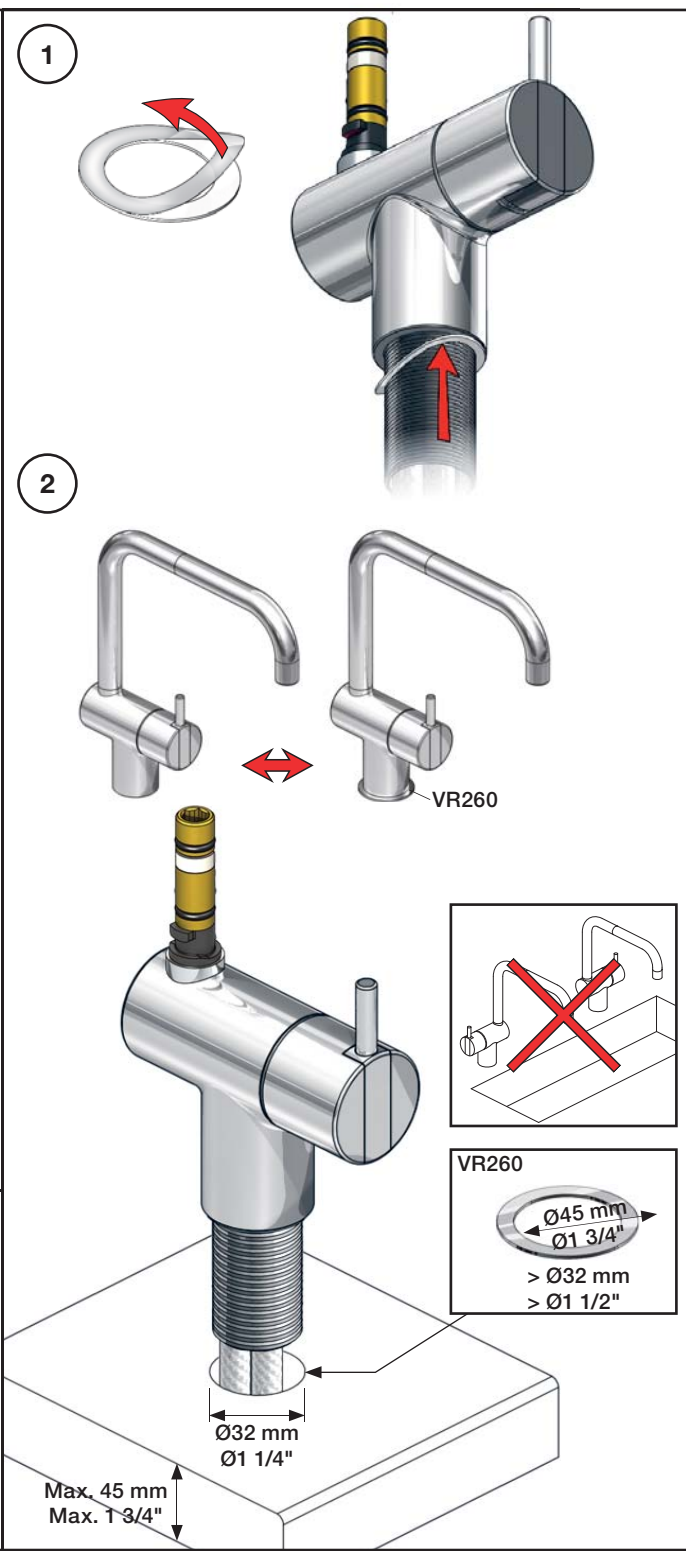
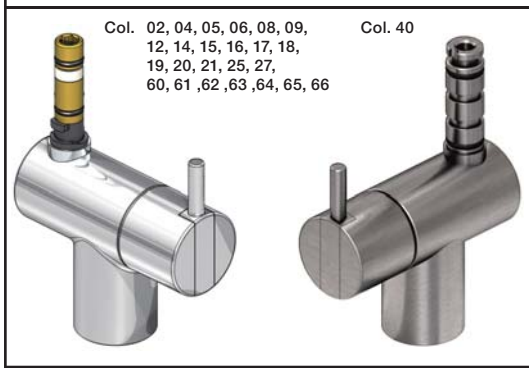
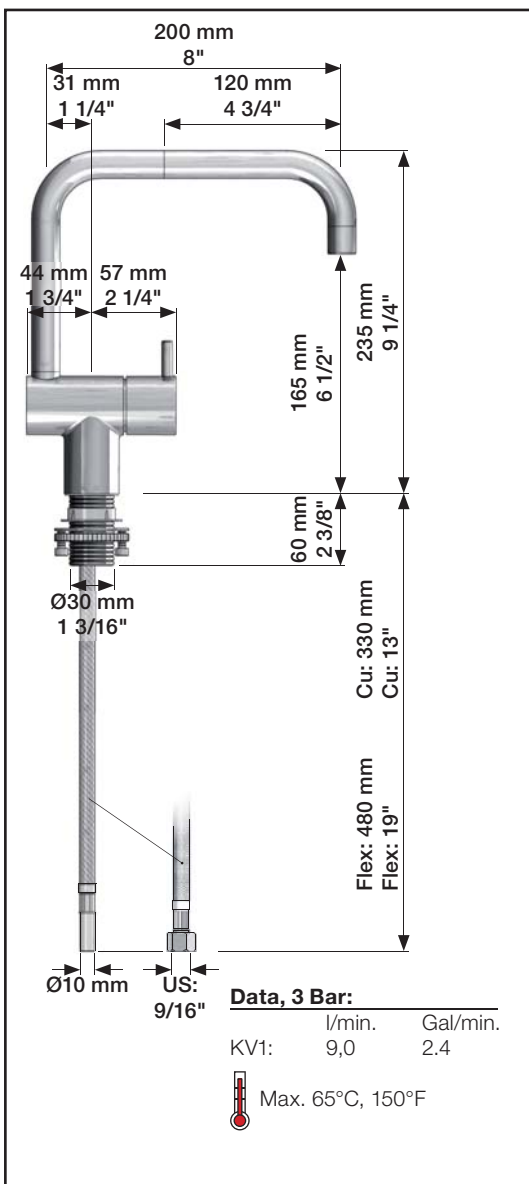
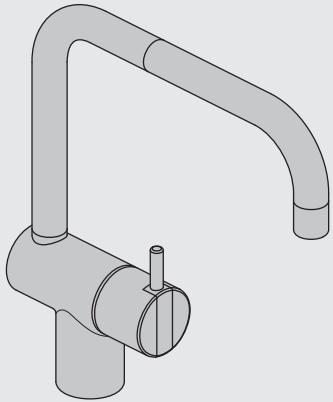


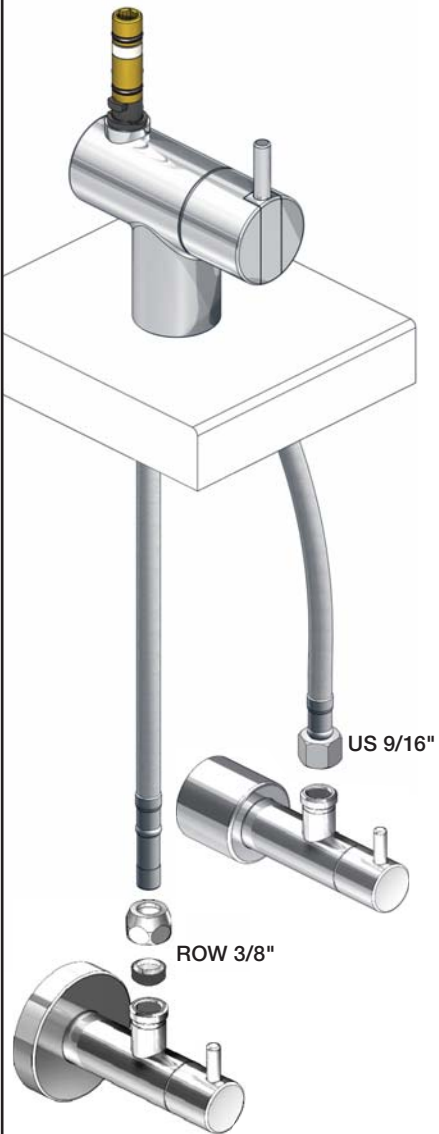
VOLA KV1

Fitting instruction
 Montageanleitung
 Monteringsvejledning
 Monteringsvægledning
 Montage hanleiding
 Manuel de montage

 GODKENDT
 TIL DRILLEKENDT
 04/00019
 04/00021

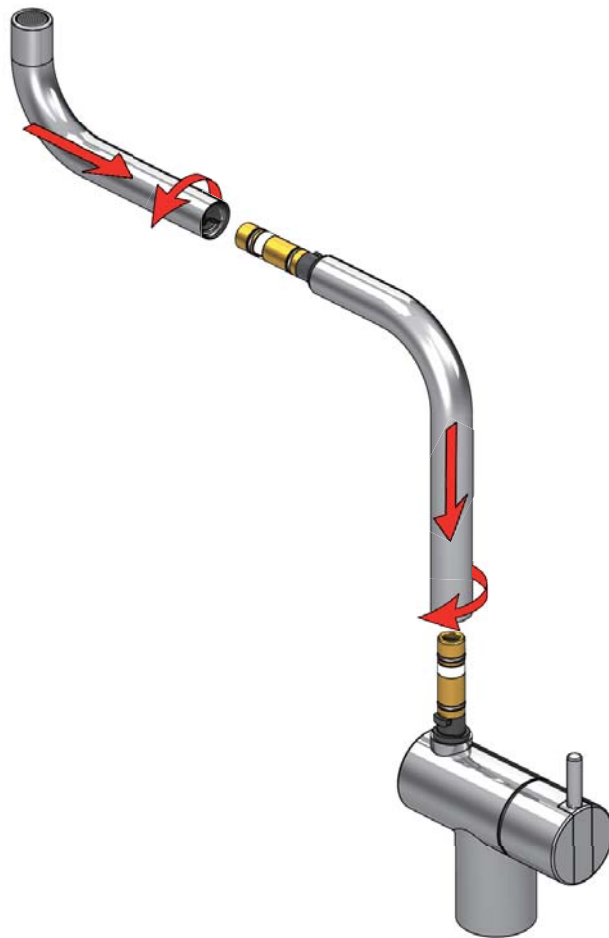


4



5

Col. 02, 04, 05, 06, 08, 09, 12, 14, 15, 16, 17, 18, 19, 20, 21, 25, 27, 60, 61, 62, 63, 64, 65, 66



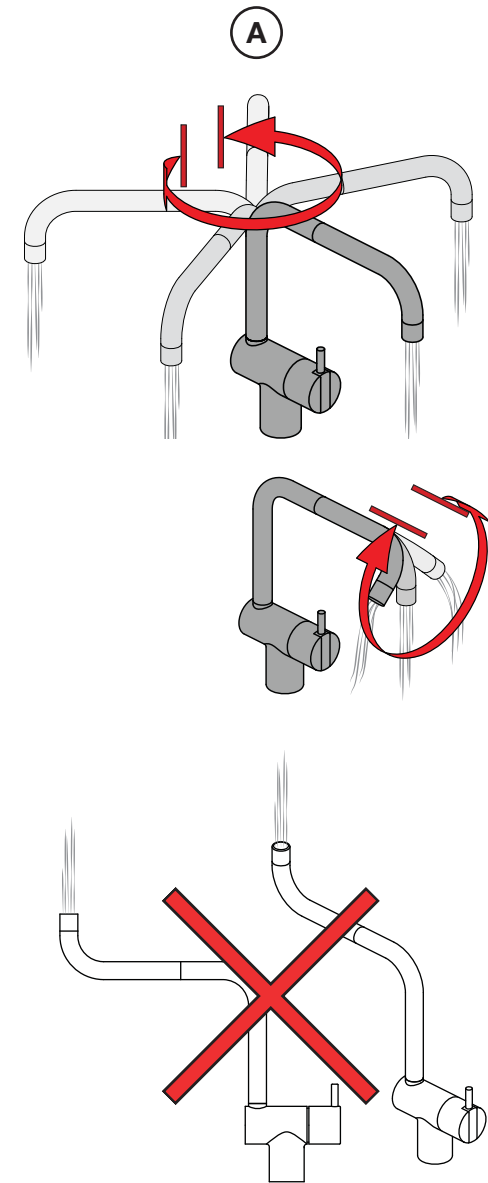
5a

Col. 40

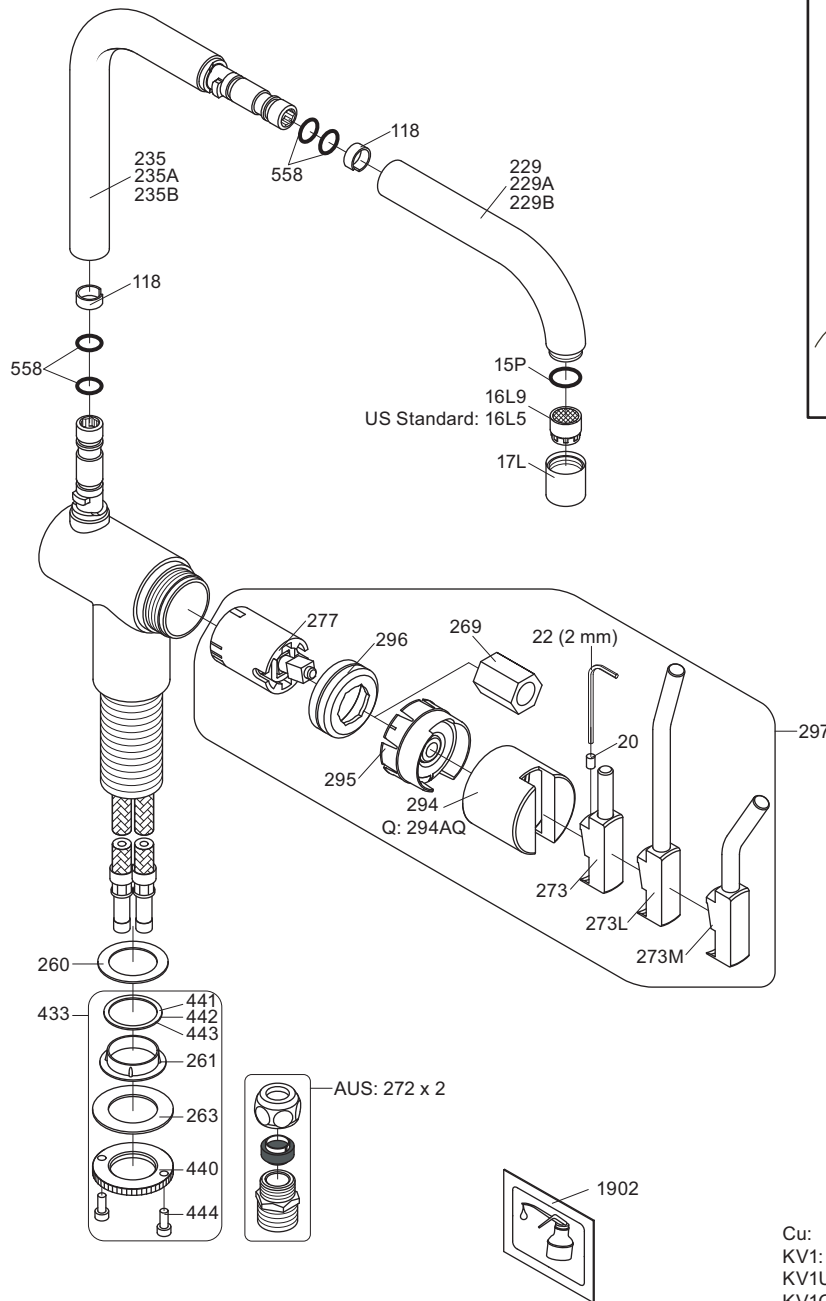


Operation
Bedienung
Betjening

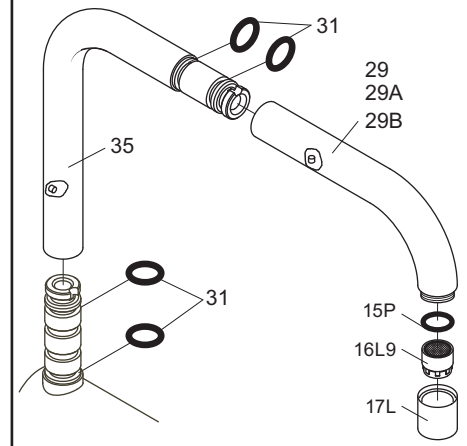
Bruk
Bedienung
Fonctionnement



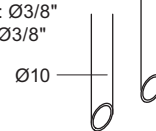
Colour: paint + 16, 19, 20



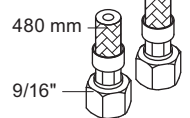
Colour: 40:



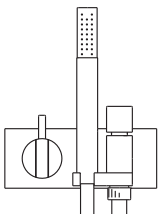
Cu:
KV1: Ø10
KV1US: Ø3/8"
KV1Q: Ø3/8"



SPX:
KV1US:



- NR.10: VR20, VR22, VR273, VR294, VR295
 VR17LK5: VR15P, VR16L5, VR17L (US Standard)
 VR17LK9: VR15P, VR16L9, VR17L
 VR30: VR15P, VR16L9, VR17L, VR29, 4xVR31, VR35, VR1902 (F40 and KV1 from 1972 - 2012)
 VR230: VR15P, VR16L9, VR17L, 2xVR118, VR229, VR235, 4xVR558, VR1902
 VR277K: VR22, VR269, VR277
 VR297: VR20, VR22, VR269, VR273, VR277, VR294, VR295, VR296
 VR433: VR261, VR263, VR440, VR441, VR442, VR443, 2xVR444



VOLA A/S
 Lunavej 2
 DK-8700 Horsens
 Tlf : + 45 7023 5500
 Fax: + 45 7023 5511
 sales@vola.com
 www.vola.com

VOLA KV1
 VOLA FKV1
 VOLA KV1Q
 VOLA FKV1US
 VOLA KV1US

Dato

Jun. 16

Rev.

8

Blad

SB 25.2