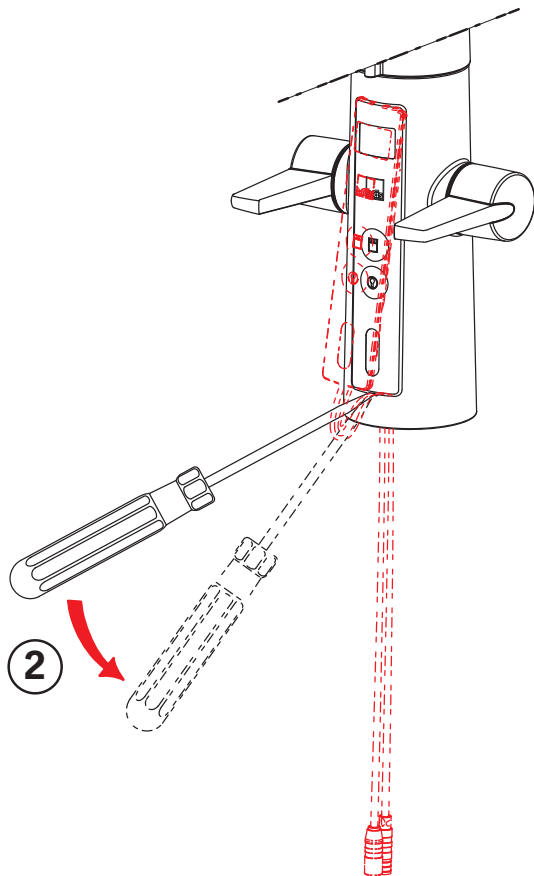


**ORAS GROUP**  
Isometsäntie 2  
P.O. Box 40  
FI-26101 Rauma  
Finland  
Tel. +358 2 83 161  
Fax +358 2 831 6300  
Info.Finland@oras.com

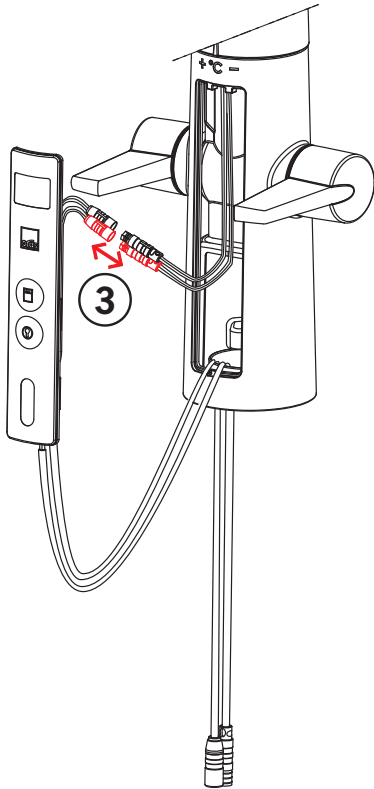


943122/05/14

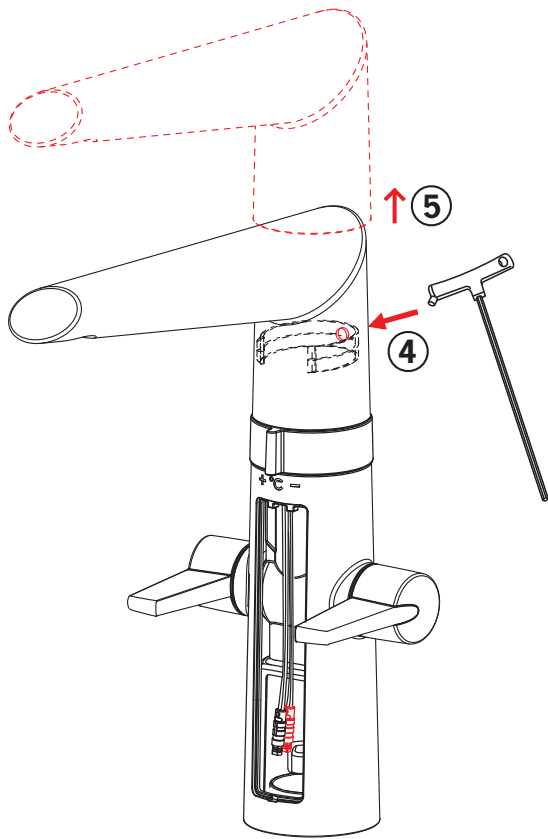
3



4

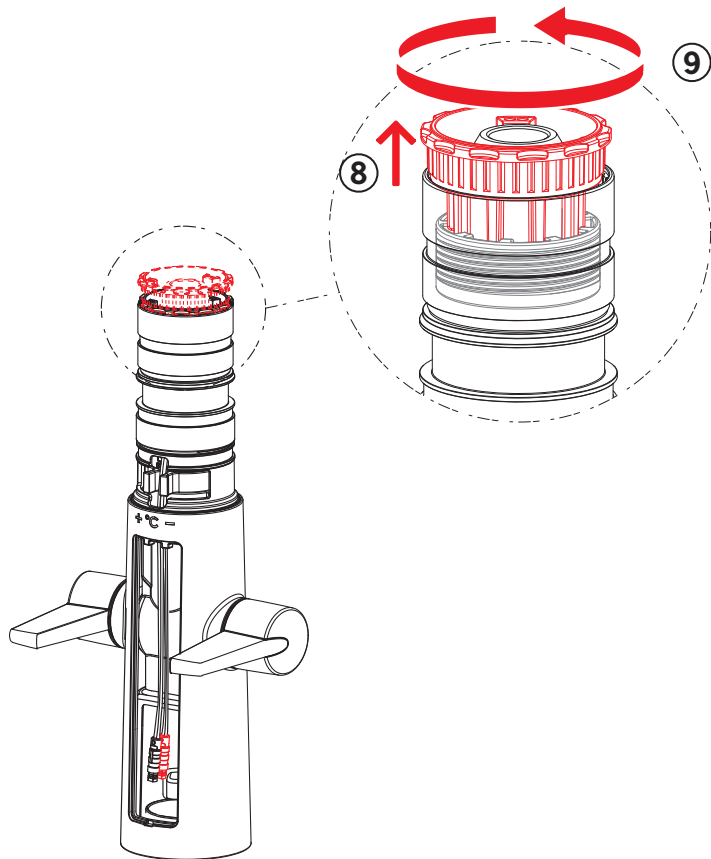


5

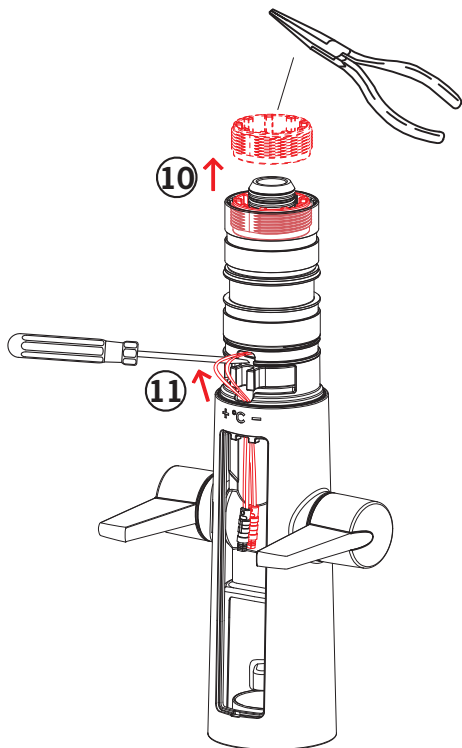




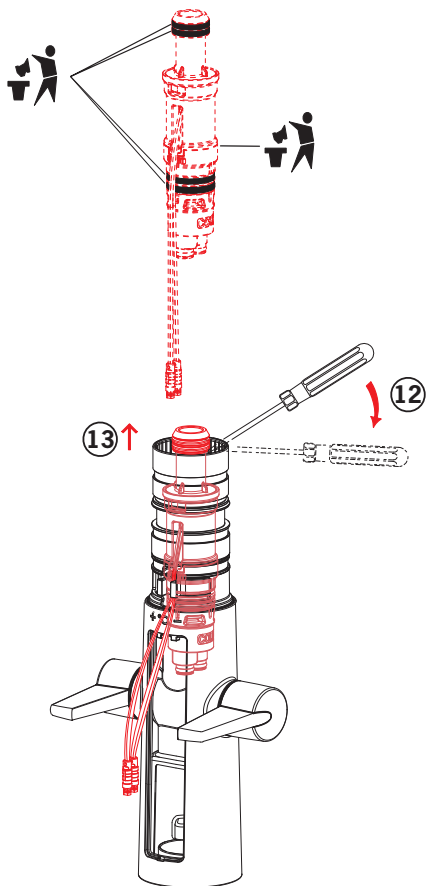
7



8

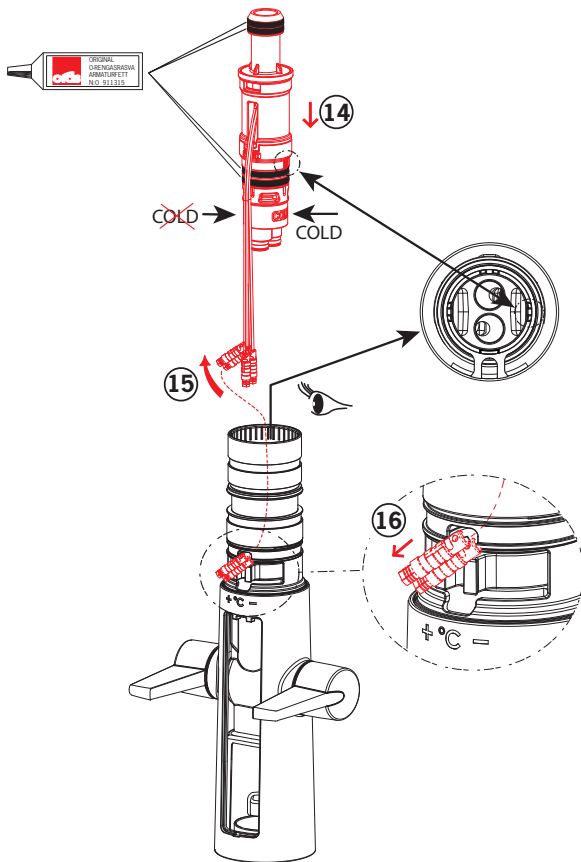


9

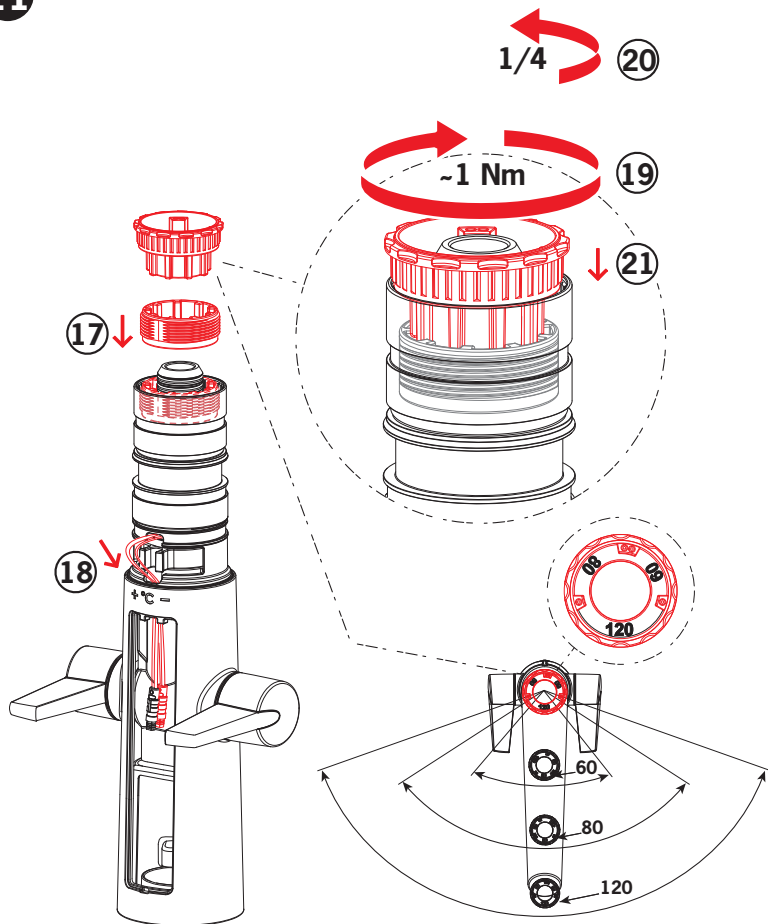




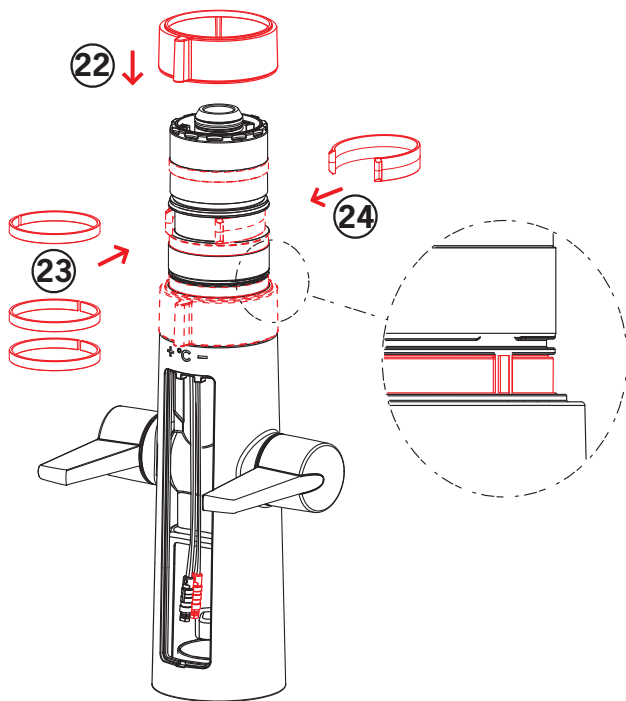
10

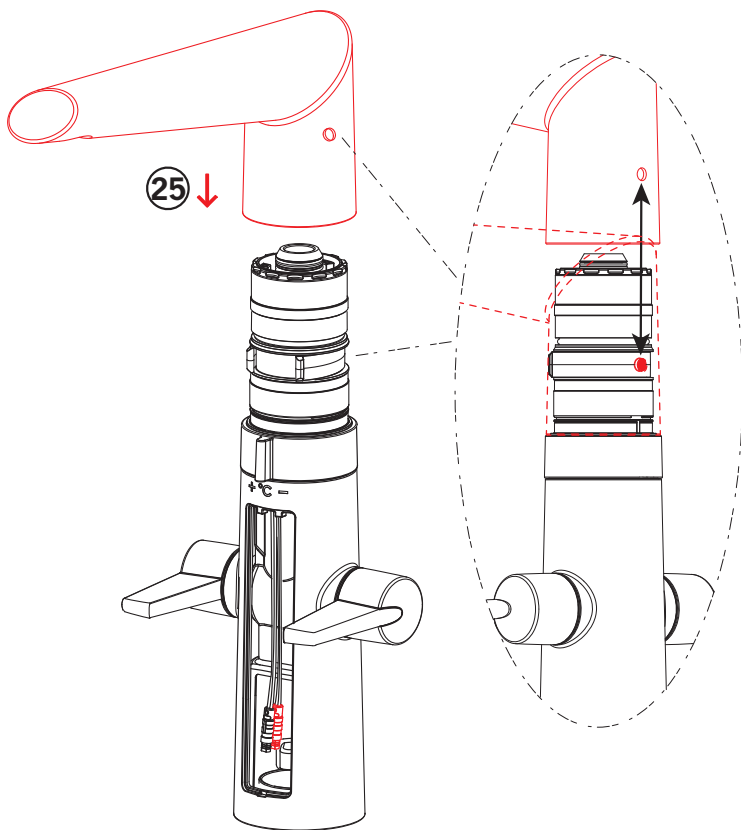


11

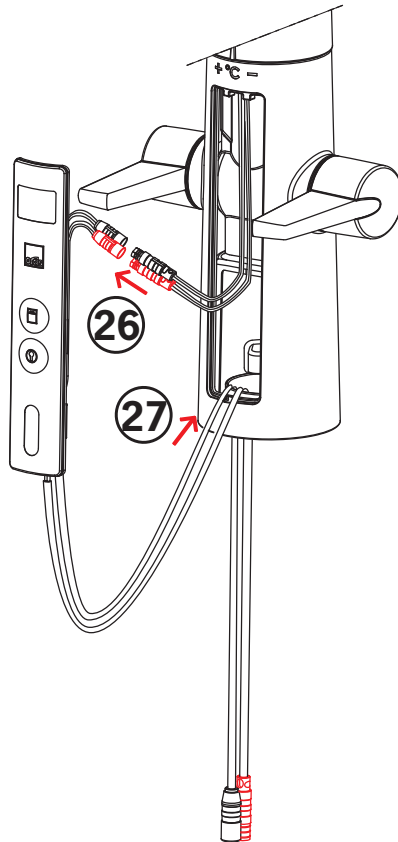


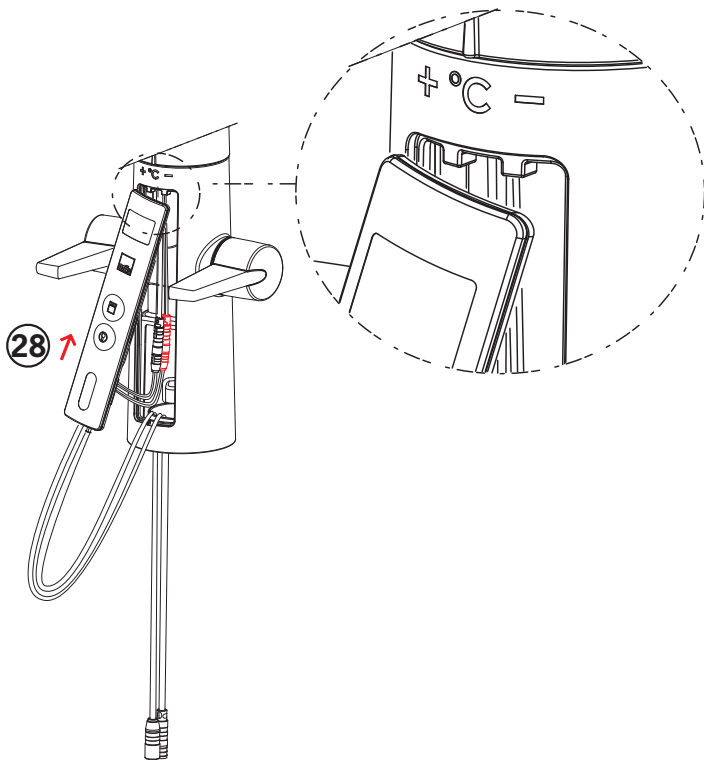
12





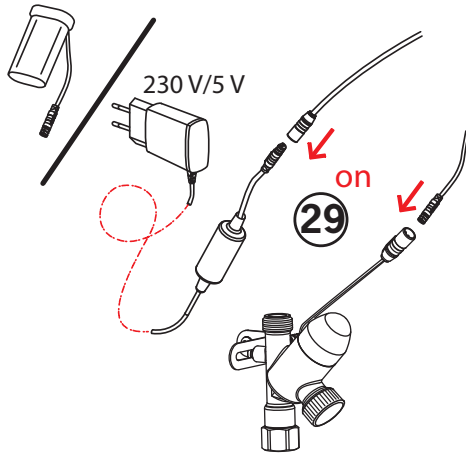
14



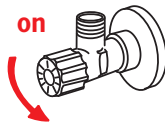


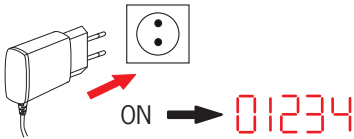
16

AA 1.5 V Lithium x 2



17





	Afterflow period (touchless function)	Max. flow period	Automatic flush	Automatic flush period	ON / OFF
	P1	P2	P3	P4	P5
U1	2 s	10 s	0	10 s	<b>OFF</b>
U2	<b>4 s</b>	<b>40 s</b>	12 h	<b>30 s</b>	ON
U3	8 s	60 s	24 h	60 s	-
U4	10 s	120 s	48 h	120 s	-
U5	20 s	180 s	72 h	180 s	FS

FS = Factory Settings

