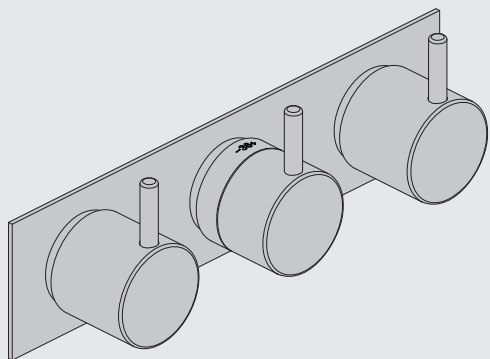


VOLA 6400DV, 6400, 6400V  
 VOLA 6400N, 6400NV, 6400T, 6400TV, 6400F, 6400FV, 6400R, 6400RV  
 VOLA 6600, 6600V

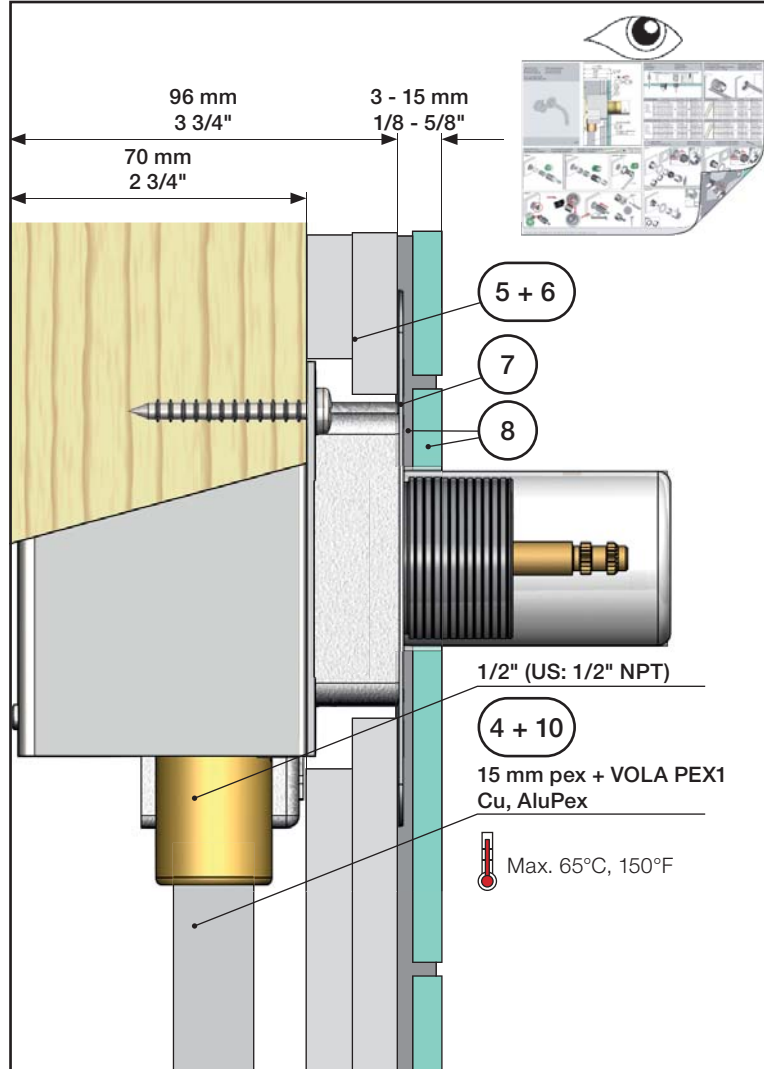
Fitting instruction  
 Montageanleitung  
 Monteringsvejledning

Monteringsvægledning  
 Montage hanleiding  
 Manuel de montage



www.vola.com

vola



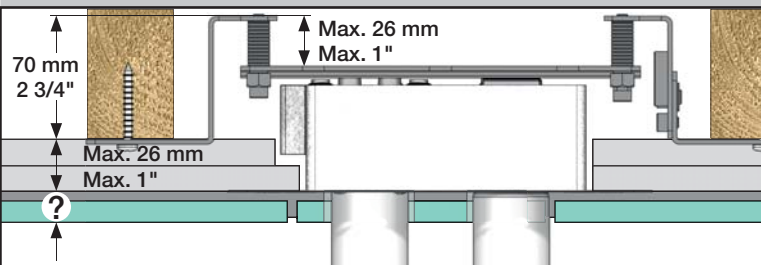
Data, 3 bar:

Combi-6	Combi-7	Combi-8 + 11	6471R-4x081K	Combi-9	Combi-10
1 2 3 050A	1 2 3 050K 050	1 2 3 050K 050A 050K	1 2 3 080K 080K	1 2 3 050A 080K	1 2 3 050 050K
1 2 3 050A: 23 l/min 6 gal/min	1 2 3 050: 23 l/min 6 gal/min	1 2 3 050A: 23 l/min 6 gal/min	1 2 3 2x080K: 25 l/min 6.6 gal/min	1 2 3 050A: 23 l/min 6 gal/min	1 2 3 050: 23 l/min 6 gal/min
1 2 3 050A: 20 l/min 5.3 gal/min	1 2 3 050: 20 l/min 5.3 gal/min	1 2 3 050A: 20 l/min 5.3 gal/min	1 2 3 2x080K: 20 l/min 5.3 gal/min	1 2 3 050A: 20 l/min 5.3 gal/min	1 2 3 050: 20 l/min 5.3 gal/min
1 2 3 050A + 010C: 2x14 l/min 2x3.7 gal/min	1 2 3 050 + 2x050K: 14+2x5 l/min 3.7+2x1.3 gal/min	1 2 3 050A + 4x050K: 2x14 l/min 2x3.7 gal/min	1 2 3 4x080K: 2x14 l/min 2x3.7 gal/min	1 2 3 050A + 2x080K: 2x14 l/min 2x3.7 gal/min	1 2 3 050 + 2x050K: 14+2x5 l/min 3.7+2x1.3 gal/min
1 2 3 010C: 20 l/min 5.3 gal/min	1 2 3 2x050K: 10 l/min 2.6 gal/min	1 2 3 4x050K: 20 l/min 5.3 gal/min	1 2 3 2x080K: 20 l/min 5.3 gal/min	1 2 3 2x080K: 20 l/min 5.3 gal/min	1 2 3 2x050K: 10 l/min 2.6 gal/min
1 2 3 010C+070: 14+9 l/min 3.7+2.4 gal/min	1 2 3 2x050K + 070: 2x5 + 9 l/min 2x1.3+2.4 gal/min	1 2 3 4x050K + 070: 4x3.5+9 l/min 4x0.9+2.4 gal/min	1 2 3 2x080K + 070: 2x7+9 l/min 2x1.9+2.4 gal/min	1 2 3 2x080K + 070: 2x7+9 l/min 2x1.9+2.4 gal/min	1 2 3 2x050K + 070: 10 + 9 l/min 2.6 + 2.4 gal/min
1 2 3 070: 9 l/min 2.4 gal/min	1 2 3 070: 9 l/min 2.4 gal/min	1 2 3 070: 9 l/min 2.4 gal/min	1 2 3 070: 9 l/min 2.4 gal/min	1 2 3 070: 9 l/min 2.4 gal/min	1 2 3 070: 9 l/min 2.4 gal/min

Fitting of extension  
 Montage von verlängerung

Montering af forlængerdele  
 Montering av förlängning

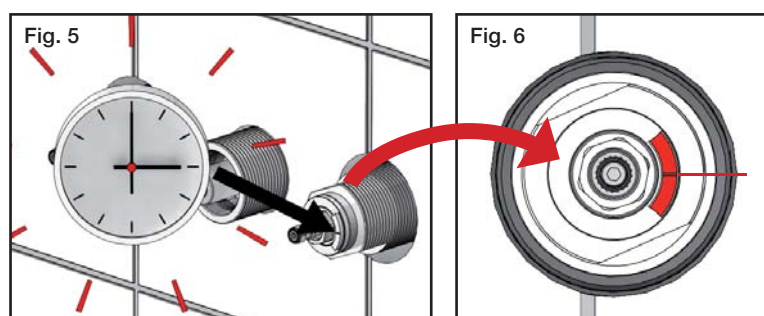
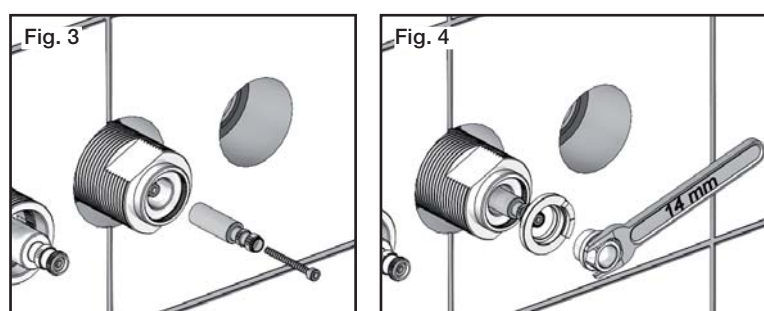
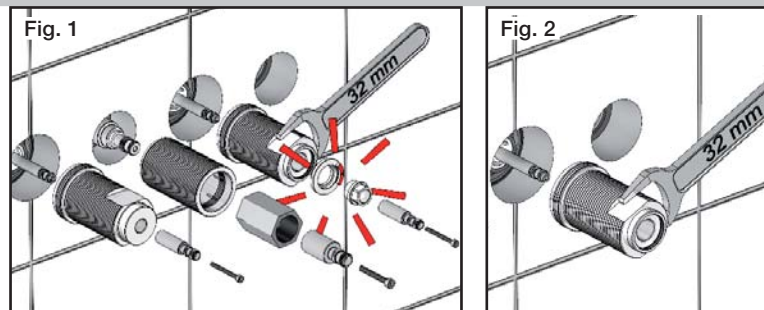
Montage van de verlengstukken  
 Montage des rallonges



	VR5250:	VR6400	VR2019:
Tiles:	3 - 15 mm	Standard	Standard
Fliesen:	15 - 25 mm	VR5250+10	VR2019+10
Fliser:	25 - 35 mm	VR5250+20	VR2019+20
Tegels:	35 - 45 mm	VR5250+30	VR2019+30
Carreaux:	45 - 55 mm	VR5250+40	VR2019+40
	55 - 65 mm	VR5250+50	VR2019+50

Extension, retrofit  
 Verlängerung, nachträglicher Einbau  
 Forlængelse, eftermontering  
 Förlängning, eftermontering  
 Aanpassing na montage  
 Modification après installation

	VR5250	VR6400	VR2019
	37 - 49 mm	Standard	Standard
	27 - 37 mm	VR5250+10	VR2019+10
	17 - 27 mm	VR5250+20	VR2019+20
	7 - 17 mm	VR5250+30	VR2019+30
	-3 - (7) mm	VR5250+40	VR2019+40
	-13 - (-3) mm	VR5250+50	VR2019+50



	L	L1	L2	L3	L4	L5	L6	H	H1	H2	H3
6400: 6400V + 3 x 200M	(B) 395 mm 15 1/2"	260 mm 10"	204 mm 8"	-	-	-	-	-	-	-	-
6400N: 6400NV + 2 x 200M	(E) 490 mm 19 1/2"	355 mm 14"	-	-	-	-	-	-	-	-	-
6400T: 6400TV + 2 x 200M	(G) 570 mm 23"	435 mm 17"	133 mm 5 1/4"	64 mm 2 1/2"	78 mm 3 1/16"	60 mm 2 3/8"	78 mm 3 1/16"	95 mm 3 3/4"	127 mm 5"	130 mm 5 1/8"	-
6400F: 6400FV + 2 x 200M	(H) 647 mm 25 1/2"	512 mm 20"	-	-	-	-	156 mm 6 1/8"	-	-	-	54 mm 2 1/8"
6400R: 6400RV + 2 x 200M											
6600: 6600V + 3 x 200M											

