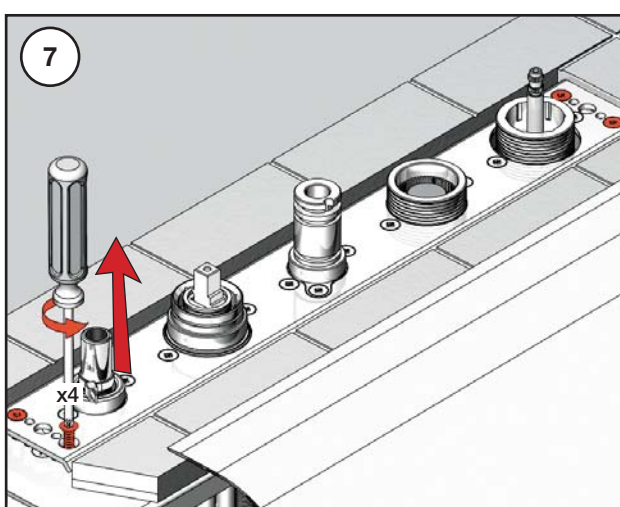
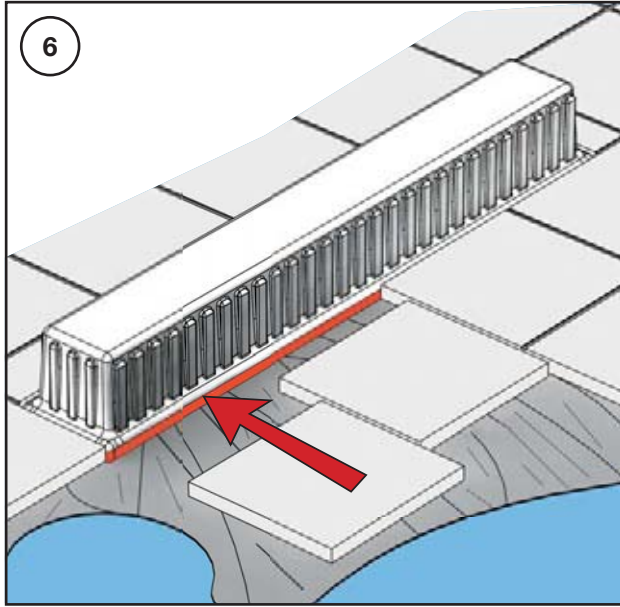
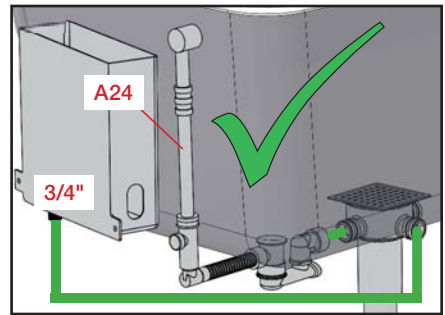
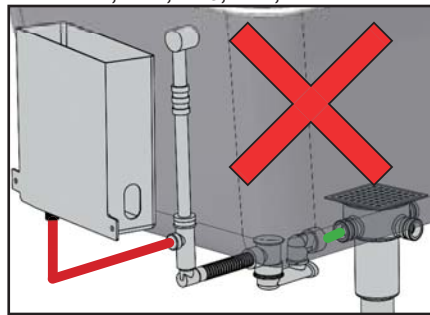
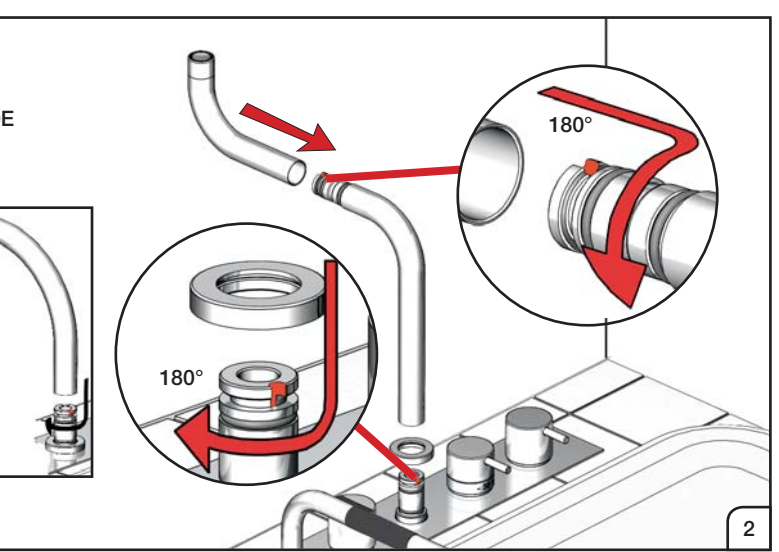
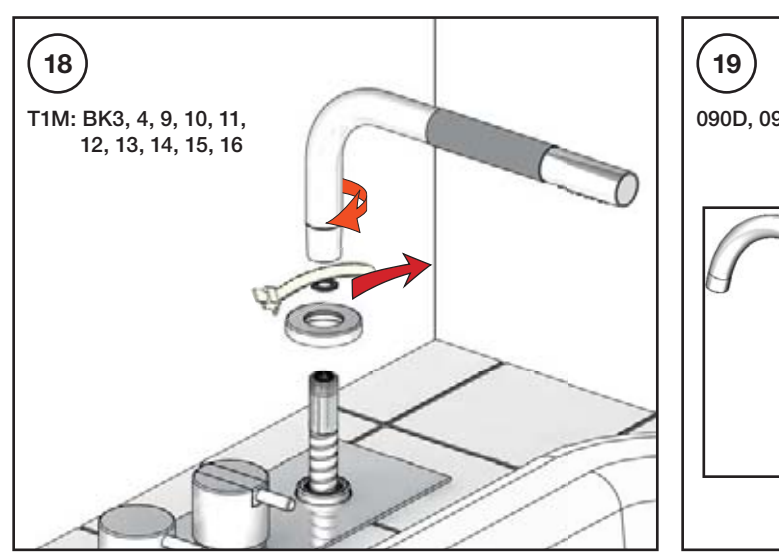
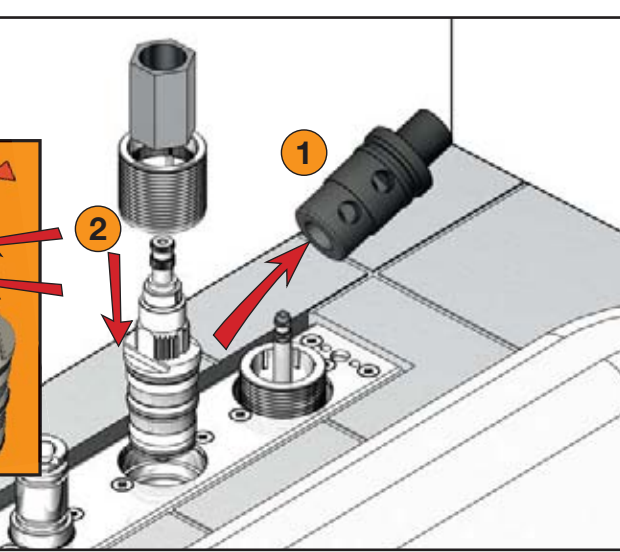
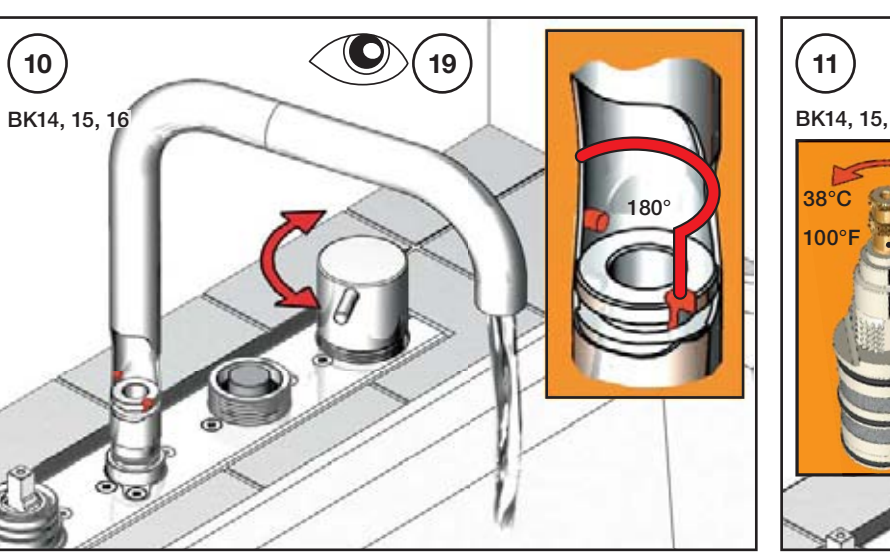
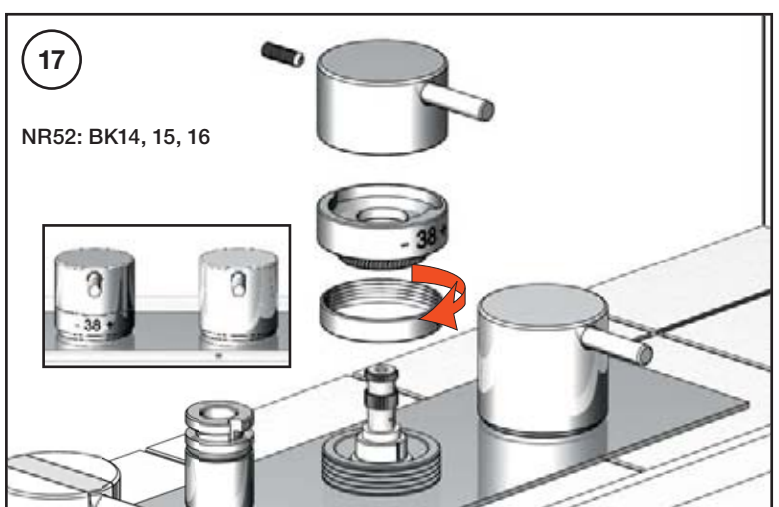
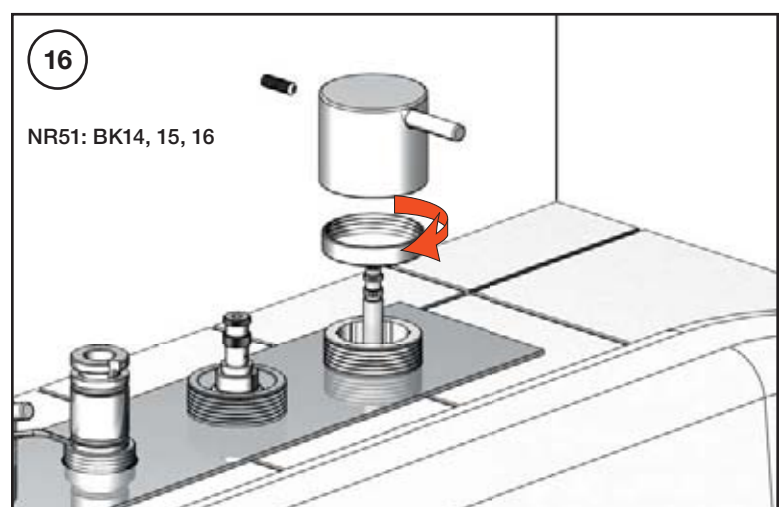
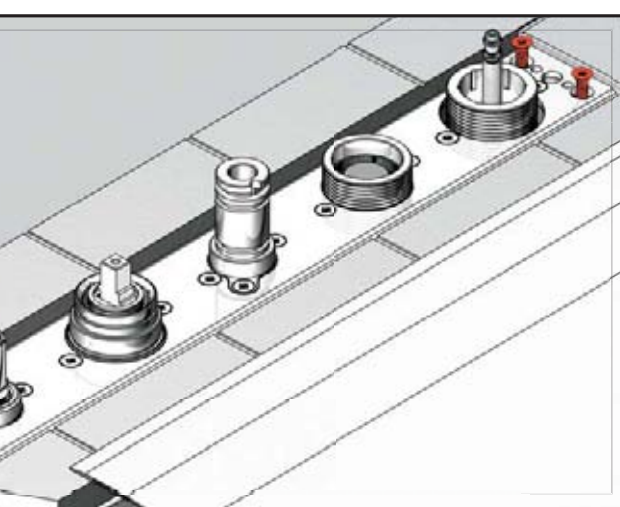
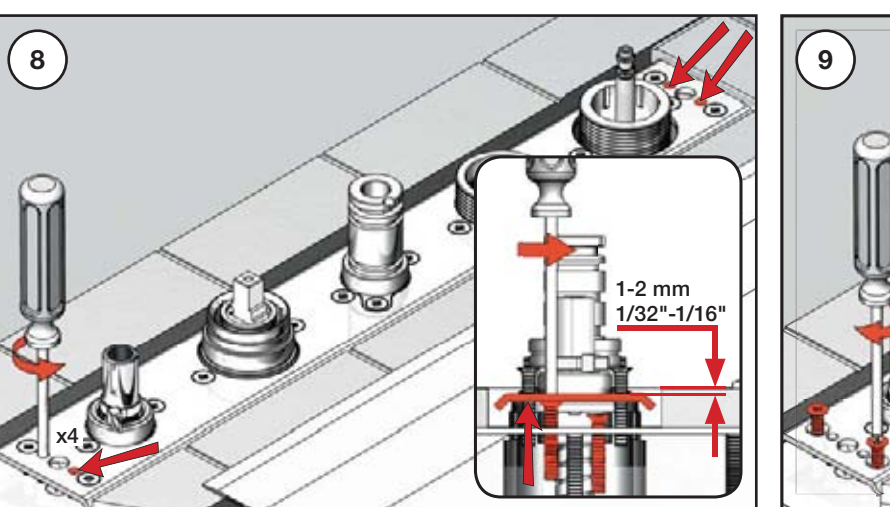
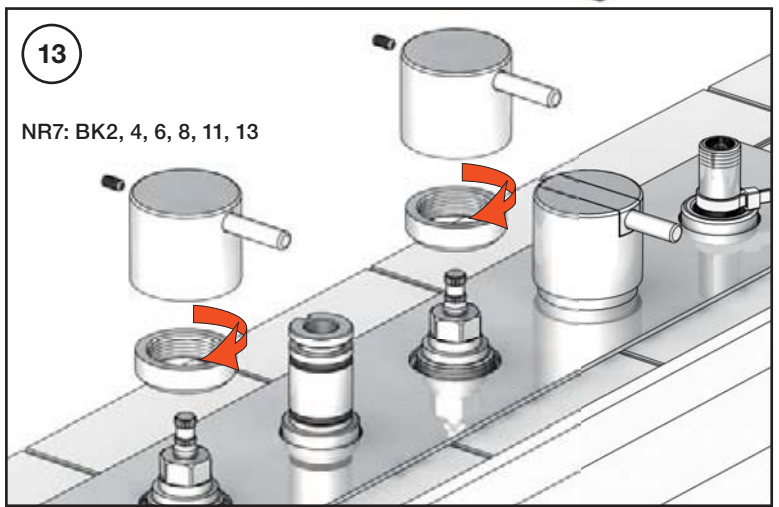
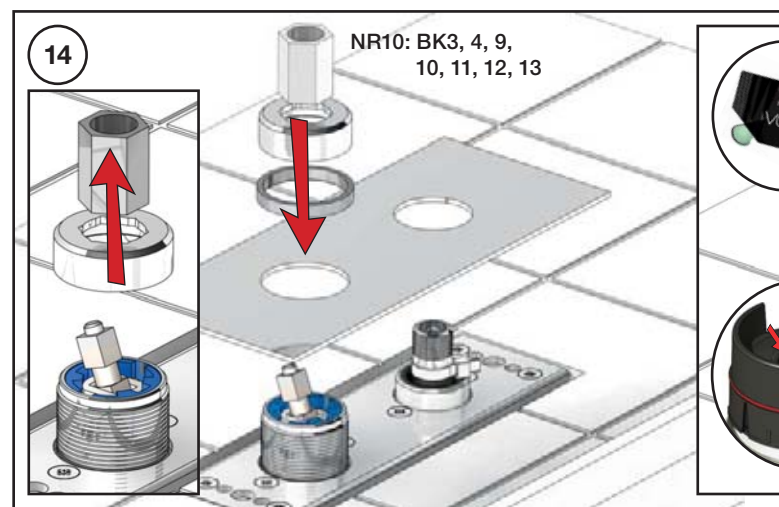
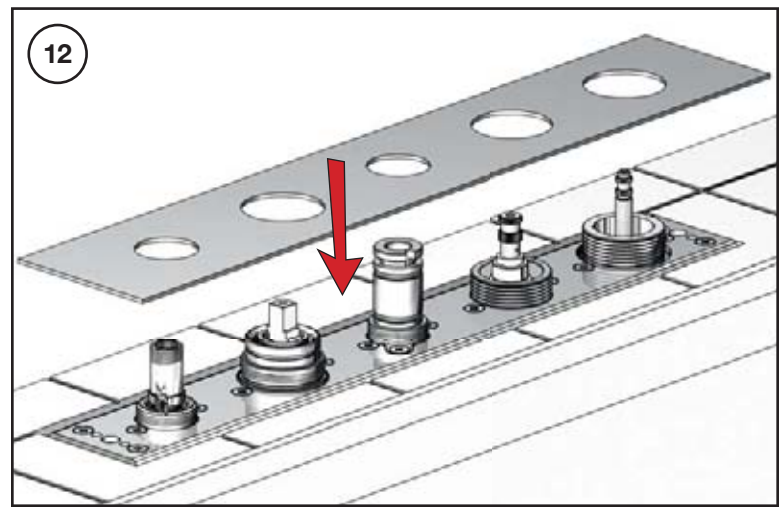


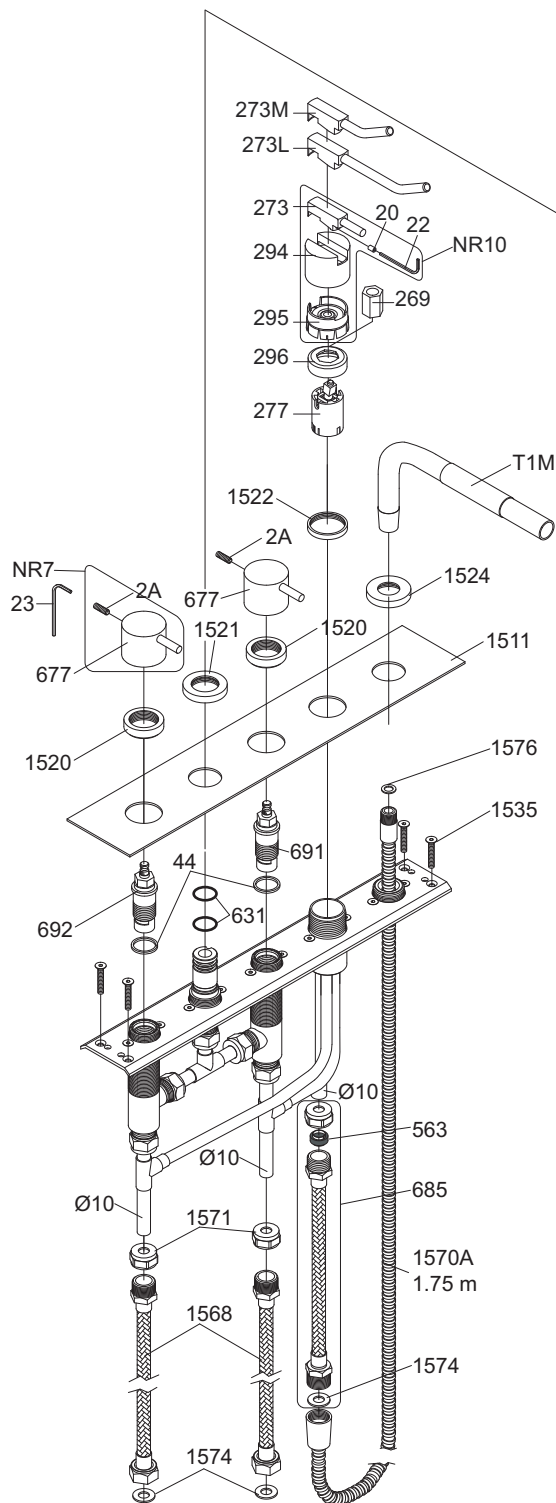
A24 + BK1, BK2, BK3, BK4, BK14:



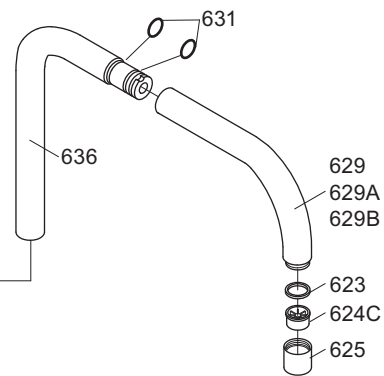
Fitting of trim  
Montage von Aufputzteilen  
Montage van de afbouwdeelen



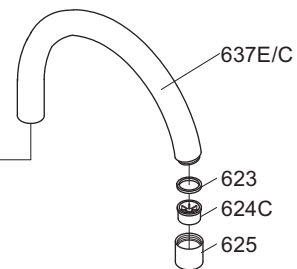




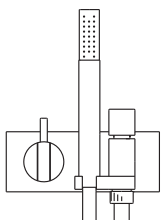
BK11-090D



BK13-090E



- NR7: VR2A, VR23, VR677  
 NR10: VR20, VR22, VR273, VR294, VR295  
 VR090D/C: VR623, VR624C, 4xVR631, VR1902  
 VR277K: VR22, VR269, VR277  
 VR297: VR20, VR22, VR269, VR273, VR277, VR294, VR295, VR296  
 VR691K: VR23, VR691  
 VR692K: VR23, VR692



**VOLA A/S**  
 Lunavej 2  
 DK-8700 Horsens  
 Tlf : + 45 7023 5500  
 Fax: + 45 7023 5511  
 sales@vola.com  
 www.vola.com

## VOLA BK11, BK13

Dato

Mar. 11

Rev.

1

Blad

SB 75