

Soap container

Knud Holscher Collection

d line

PRODUCT DATA SHEET

ITEM NUMBER SURFACE
14.7045.26.001 Plastic

PRODUCT
Soap container f/Ø85

PICTURE



TENDER TEXT

Soap container f/Ø85, f/liquid soap & disinfec.>2000, capacity -350ml.
W:Ø14 mm x H:160 mm x D:74 mm

PRODUCT SPECIFICATION

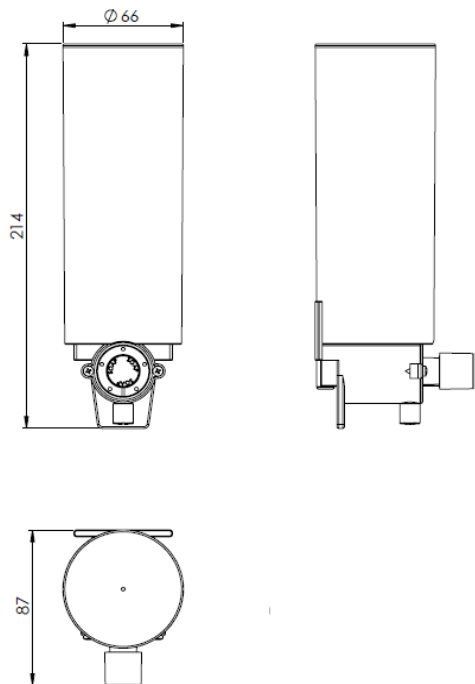
Dimensions: W:Ø14 mm x H:160 mm x D:74 mm

Material:Plastic

Capacity - 350 ml

Warranty - 2 year

DRAWING



SPARE PARTS / ACCESSORIES:

MOUNTING:

Should be mounted in dline soap dispenser

PACKING:

1 pcs. per package

PRODUCT CARE

Maintenance instructions:

- Wash down the surfaces using soapy water or mild detergent
- To prevent leaking, once a month, thoroughly wash container with warm water, so there would left no soap inside (including pump).
- Please do not use scouring powder, steel wool, chloride based detergents or other aggressive cleaning products as these may damage the surface.