

PRODUCT DOCUMENTATION



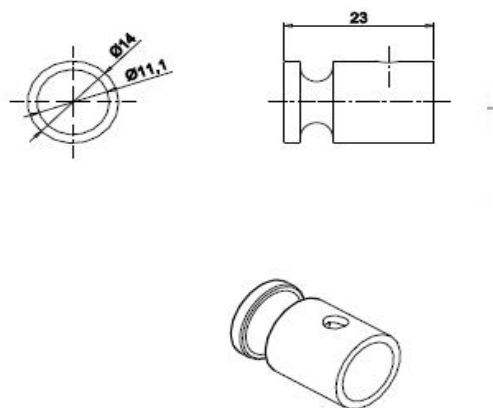
Product Name: Coat Hook, Ø14x23mm

Article Number: 14.5610.02.003
Satin stainless steel
16.5610.01.000
Polished stainless steel

Photo:



Drawing:



Product Information:

Material: AISI 316 stainless steel
Surface finish: Satin 320 grain or polished
Material thickness/radius: Ø14
Height: 14mm Width: 14mm Depth: 23mm

Product Specification:

d line Coat hook with slot Ø14x23mm with concealed fixing AISI 316 satin stainless steel.

d line Coat hook with slot Ø14x23mm with concealed fixing AISI 316 polished stainless steel.

Certificate: -
Warranty: 20 years (non-mechanical/-electronic parts)

The high humidity levels in the bathroom setting necessitates the use of a non-corrosive rust-resistant stainless steel. The only metal used in d line's bathroom fittings is AISI 316, also known as marine quality stainless steel.

Spare Parts/Accessories:

P0.0000.00.451 Screw and plug set
14.9701.00.052 Grub screw M4x3mm

Related Products:

14.4960.02.050 Thrust rose 30x2mm with 5.2mm hole satin
16.4960.01.056 Thrust rose 30x2mm with 5.2mm hole polished

Mounting:

See instruction supplied with product

Packing:

1 pc. in a bag, 25 pcs. per box incl. Ø 4.5x70mm screws with plug 8x40mm for fixing on concrete wall.

Maintenance:

Wash down with mild detergent, rinse off with clean water, and dry off with soft dry cloth.

Environment:

No environmental risk and no risk of fire.