

Product Documentation



Product Name: Spare toilet roll holder, w/snap-on cover

Article Number: 14.7062.02.016

Satin stainless steel

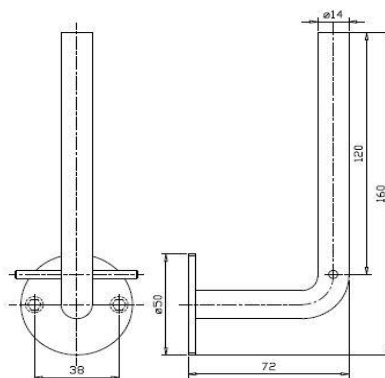
16.7062.01.016

Polished stainless steel

Photo:



Drawing:



Product Information:

Material: AISI 316 stainless steel

Surface finish: Satin 320 grain or polished

Material thickness / Radius: Ø14

Height: Width: Depth:

160mm 50mm 72mm

Type design guidelines here

Product Specification:

d line Spare toilet roll holder Ø 14 x 160 x d72 mm with snap on cover AISI 316 satin stainless steel

The high humidity levels in the bathroom setting necessitates the use of a non-corrosive rustresistant stainless steel. the only metal used in d line's bathroom fittings is AISI 316, also known as marine quality stainless steel.

Certificate: -

Warranty: 20 years (non moveable parts)

Spare Parts / Accessories:

P0.0000.00.402 screws and plugs

14.9720.02.011 Snap-on-cover for 14mm

Related Products:

Mounting:

Ø4x50mm screws and plugs 8x40mm. Please use correct screws and plugs for the type of wall

Packing

1pcs in a bag, 10 pcs per box

Maintenance:

Wash down with mild detergent, rinse off with clean water and dry off with soft dry cloth.

Environment:

No environmental risk and no risk of fire