

**AXOR Starck**  
**Single lever basin mixer 100 with lever handle and waste set**  
 Surfaces: **Chrome** Article Number: **10003000**



## Description

### product features

- consists of: single lever basin mixer, waste set
- ComfortZone 100
- projection 103 mm
- normal spray
- flow rate at 3 bar: 5 l/min
- M1 ceramic cartridge with Boltic handle lock
- temperature limitation adjustable
- suitable for continuous flow water heaters
- non-closing waste set
- connection dimension: DN15
- SVGW 1508-6409
- DVGW NW-6506BT0622
- P-IX 28555/IO
- ETA VA 1.42/20528
- ACS 17 ACC LY 654, valide jusqu'au 20.06.2022
- WRAS 1507306
- SINTEF 1834
- STA 1370

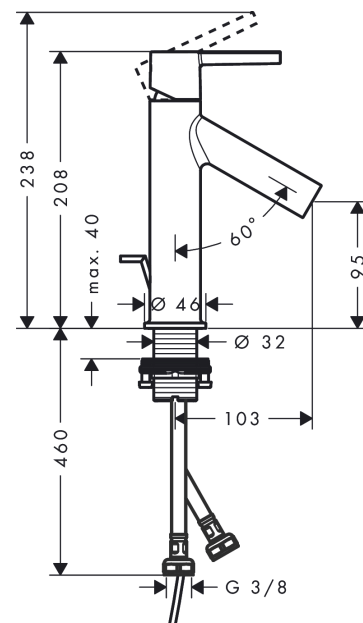
## Technology



## Product image



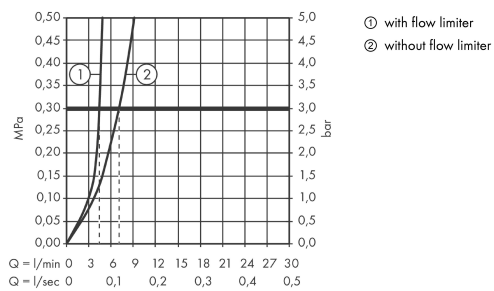
## Scale drawing



**AXOR Starck**  
**Single lever basin mixer 100 with lever handle and waste set**  
 Surfaces: **Chrome**    Article Number: **10003000**



## Flowchart

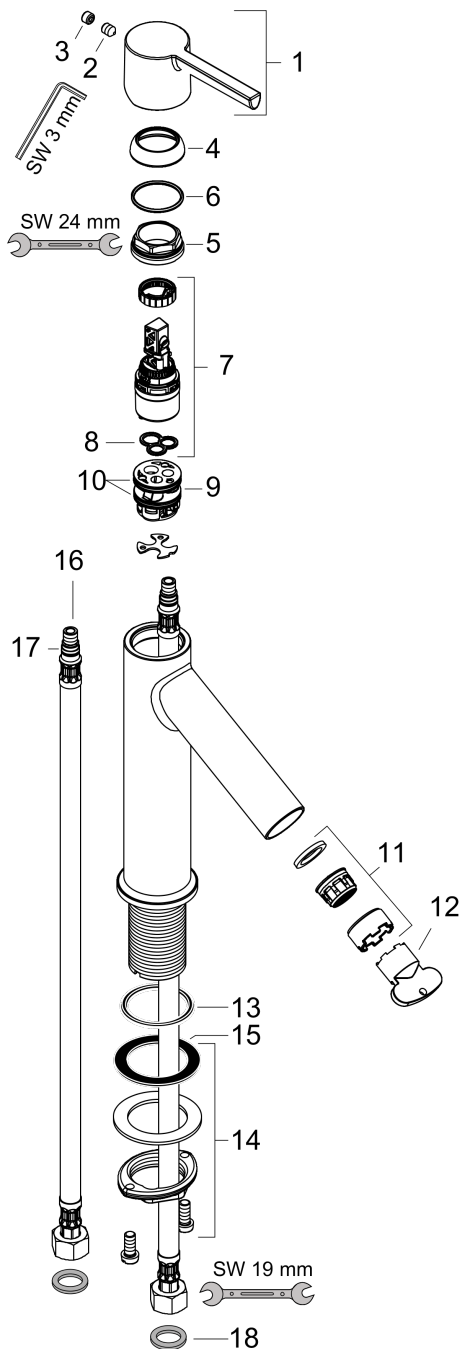


**AXOR Starck**  
**Single lever basin mixer 100 with lever handle and waste set**  
 Surfaces: **Chrome** Article Number: **10003000**



## Exploded Drawing

Year of production: >11/14



**AXOR Starck**  
**Single lever basin mixer 100 with lever handle and waste set**  
 Surfaces: **Chrome** Article Number: **10003000**



## Spare part list

Year of production: >11/14

Pos.	Description	Article Number	PC	PU
1	handle	92385000	0	1
2	hollow set screw M6x8	98444000	0	1
3	screw cover	96762000	0	1
4	flange	98863000	0	1
5	nut	95178000	0	1
6	O-Ring 22x2	98185000	0	1
7	cartridge, assy	97685000	0	1
8	seal	98865000	0	1
9	adapter for cartridge	98866000	0	1
10	O-ring 23x2	98398000	0	1
11	aerator M24x1 (5 l/min)	92386000	0	1
12	special tool	95290000	0	1
13	O-ring 34x4	98155000	0	1
14	fixing set (Ø 32)	13961000	0	1
15	lever collar	97548000	0	1
16	connection hose 600 mm M8x0,75 G3/8	96556000	0	1
17	O-ring 7x1,5	98422000	0	1
18	sealing set	95581000	0	1
a	waste	50001000	0	1
b	fixation extension 35 mm	13898000	0	1