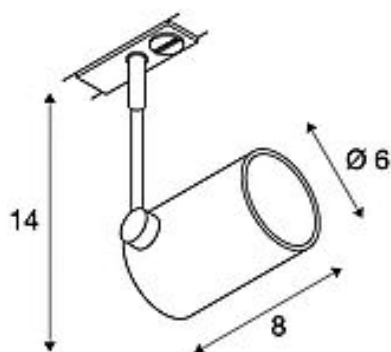


SLV BIMA 1

spot for 240V 1-phase track, single-headed, QPAR51, matt white, max. 50W, incl. 1-phase adapter



Article number	143441
Product family	BIMA
Feed-in capability	No
Lampholder / Socket	GU10
Number of light sources	1
Lamp included	No
Tilt range	200 Degree
Rotation range	350 Degree
Length	8 cm
Height	16 cm
Diameter	6 cm
Net weight	0.237 kg
Gross weight	0.294 kg
Voltage	220-240V ~50/60Hz
Max. wattage	50 Watt
Protection class	II
Energy efficiency class	A++
Lamp	QPAR51
Colour	matt white
Form	cylindric
Light distribution type 1	direct
Material	Aluminium

Articles of this series

143430	BIMA 2, spot for 240V 1-phase track, double-headed, QPAR51, matt black, max. 50W, incl. 1-phase adapter
143431	BIMA 2, spot for 240V 1-phase track, double-headed, QPAR51, matt white, max. 50W, incl. 1-phase adapter
143432	BIMA 2, spot for 240V 1-phase track, double-headed, QPAR51, silver-grey, max. 50W, incl. 1-phase adapter
143440	BIMA 1, spot for 240V 1-phase track, single-headed, QPAR51, matt black, max. 50W, incl. 1-phase adapter
143442	BIMA 1, spot for 240V 1-phase track, single-headed, QPAR51, silver-grey, max. 50W, incl. 1-phase adapter
146492	BIMA, display fitting, QPAR51, chrome, max. 35W
152230	BIMA 2, spot for 240V 3-phase track, double-headed, QPAR51,round, matt black, max. 100W, incl. 3-phase adapter
152231	BIMA 2, spot for 240V 3-phase track, double-headed, QPAR51,round, matt white, max. 100W, incl. 3-phase adapter
152232	BIMA 2, spot for 240V 3-phase track, double-headed, QPAR51,round, silver-grey max. 100W, incl. 3-phase adapter
152240	BIMA 1, spot for 240V 3-phase track, single-headed, QPAR51,round, matt black, max. 50W, incl. 3-phase adapter
152241	BIMA 1, spot for 240V 3-phase track, single-headed, QPAR51,round, matt white, max. 50W, incl. 3-phase adapter
152242	BIMA 1, spot for 240V 3-phase track, single-headed, QPAR51,round, silver-grey max. 50W, incl. 3-phase adapter
184442	BIMA, spot for 240V track EASYTEC II, QPAR51, double-headed, silver-grey, max. 100W
184452	BIMA 1, spot for 240V track EASYTEC II, QPAR51, single-headed, silver-grey, max. 50W
185440	BIMA 2, spot for 240V track EASYTEC II, double-headed, QPAR51, chrome/black, max. 100W
185450	BIMA 1, spot for 240V track EASYTEC II, single-headed, QPAR51, chrome/black, max. 50W
184440	BIMA 2, spot for 240V track EASYTEC II, QPAR51, double-headed, black, 2x50W max.
184441	BIMA 2, spot for 240V track EASYTEC II, QPAR51, double-headed, white, 2x50W max.
184450	BIMA 1, spot for 240V track EASYTEC II, QPAR51, single-headed, black, max. 50W

184451 BIMA 1, spot for 240V track EASYTEC II, QPAR51, single-headed, white, max. 50W

Adjustable high-voltage spot BIMA 1 with suitable adapter for the 240V 1-phase track system. The luminaire is made of aluminium and, thanks to the GU10 socket, is suitable for both halogen and LED lamps. This luminaire is suitable for lamps of energy classes: E - A++

Notes
