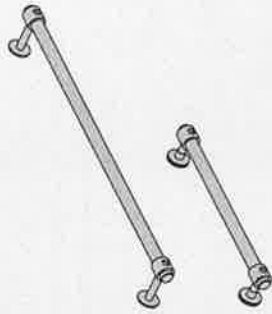


VOLA T19, T23



www.vola.com

vola

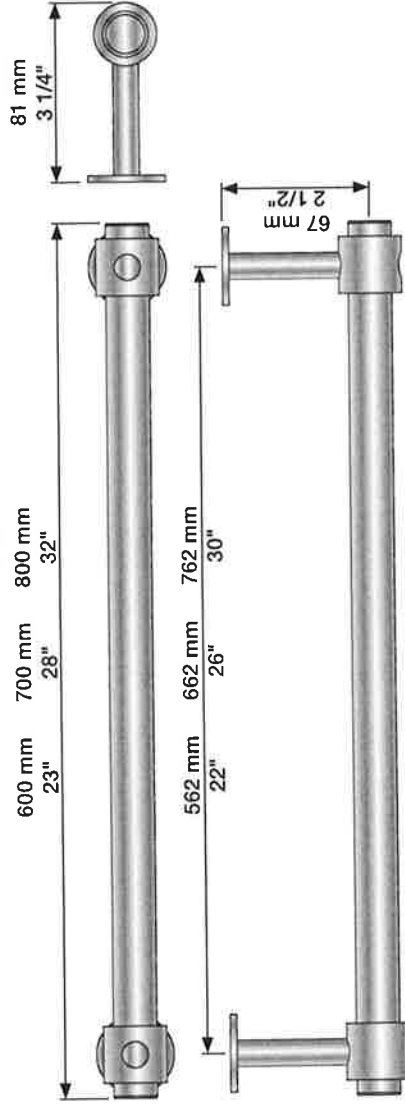
mnt_T19_T23_V2_40998994



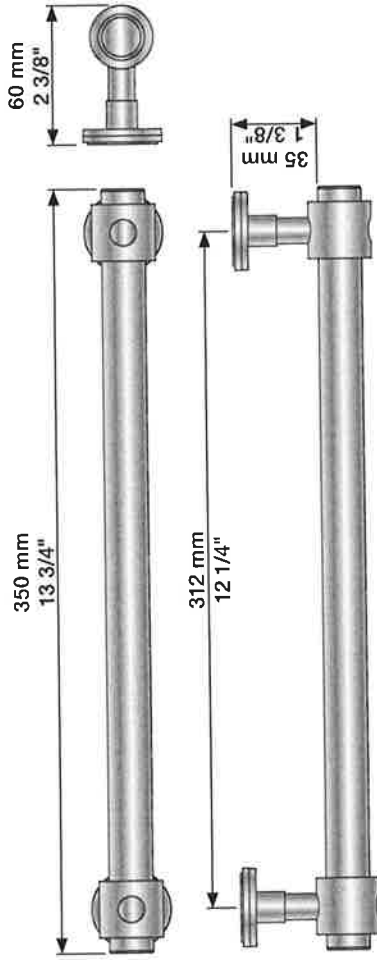
5 703182 430638

T19/6 - T19/7 - T19/8

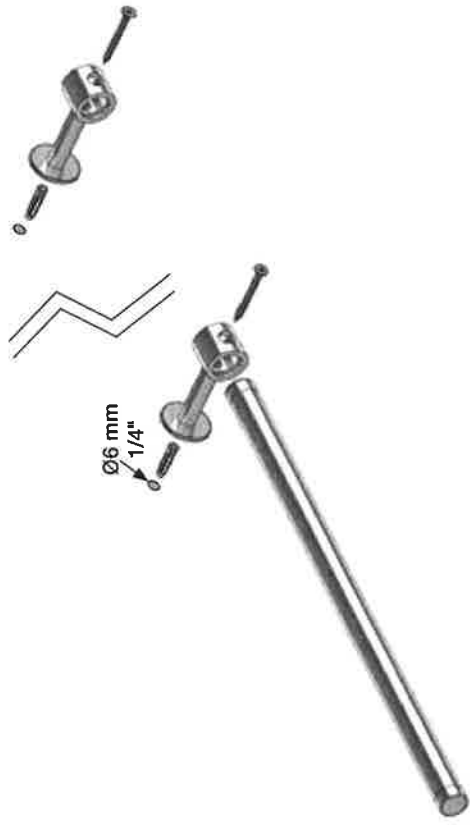
T19/6: 600 mm 23"
T19/7: 700 mm 28"
T19/8: 800 mm 32"



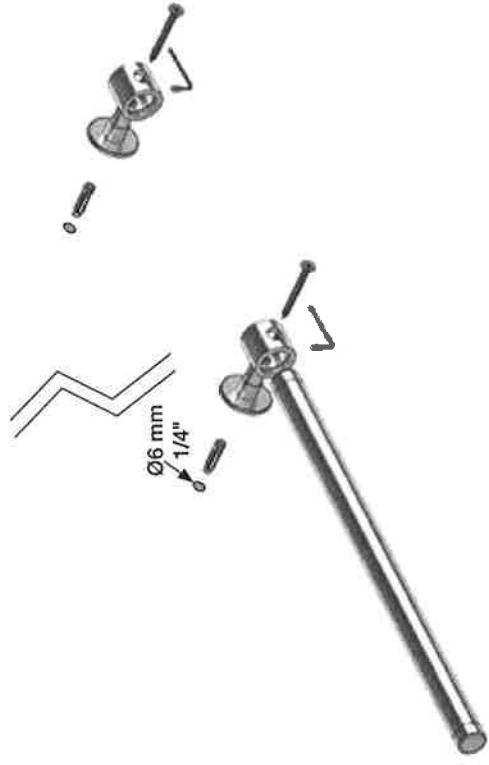
T23



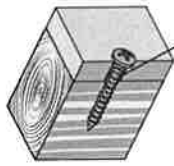
T19/6 - T19/7 - T19/8



T23 - 1



Light frame wall construction
Leichtbauwand
Let væg
mellanbjälklag trä
Hollewand constructie
Construction légère



Solid wall/Masonry

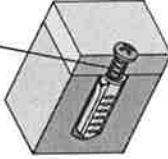
Mauerwerk

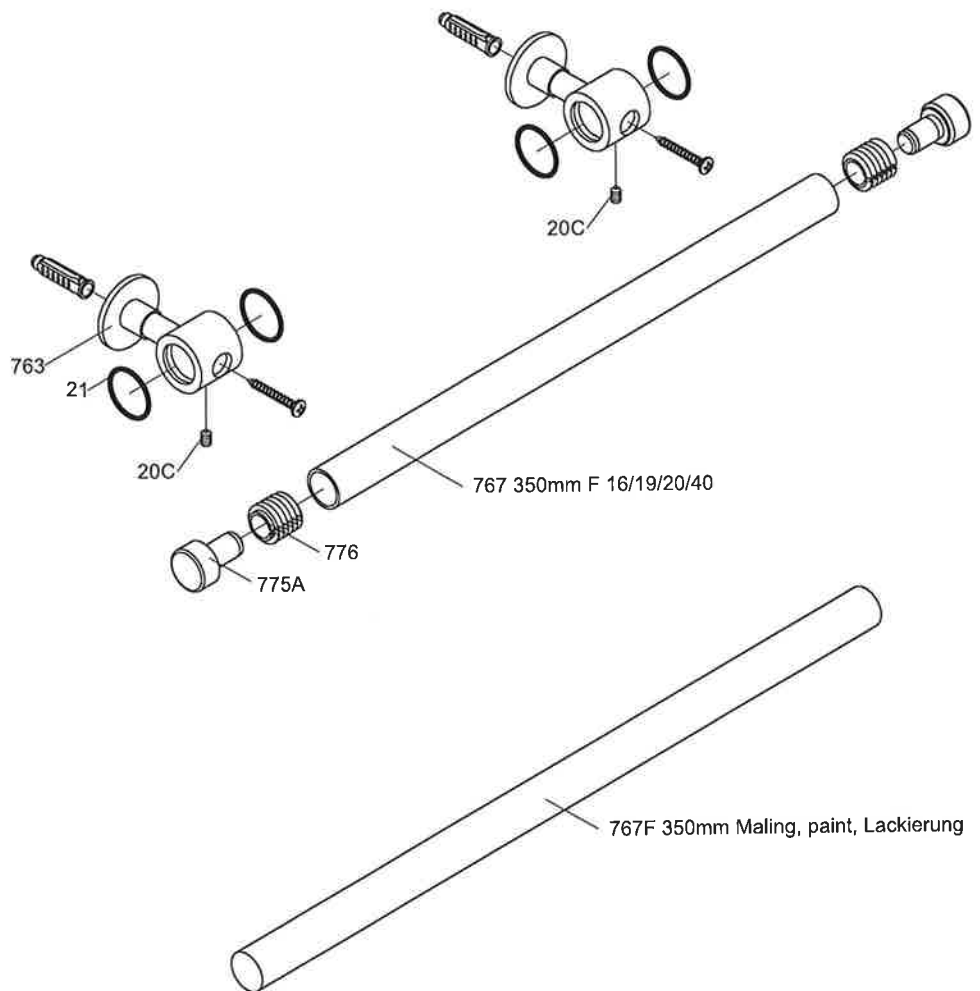
Tungvæg

mellanbjälklag betong etc.

Massieve wand

Mur plein





vola
 Lunavej 2
 DK-8700 Horsens
 Tlf : + 45 7023 5500
 Fax: + 45 7023 5511
 sales@vola.com
 www.vola.com

VOLA T23

Date
Apr. 03

Rev.
2

Sheet
SB 42.14