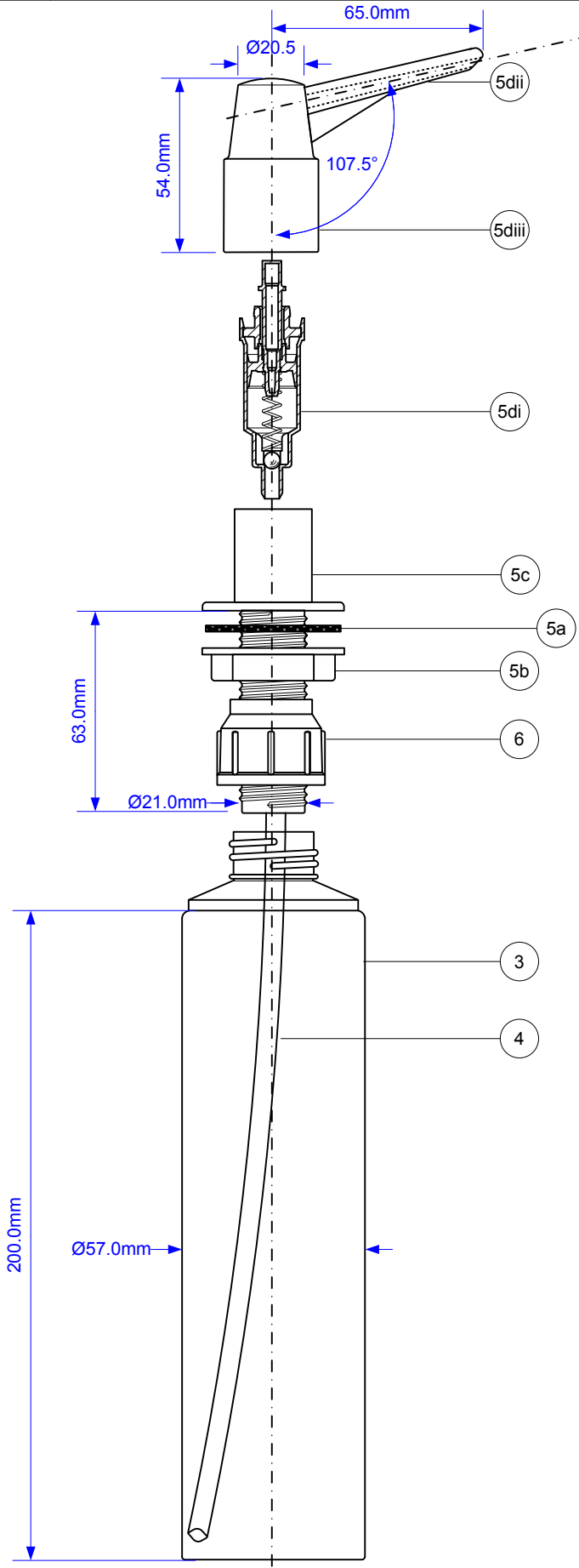


Code:

SOAP-CP

Chrome Plated



Maximum Clamping
Dimension = 50mm

Part No.	Code	Material
1	P-C-S1F	Carton
2	P-C-SOAP	Carton
3	P-SOAPBOTTLE	Polyethylene
4	P-SOAPTUBE-250	Polyethylene
5	SOAP-CP-SUB	
a	P-SPW-SOAP	Polyethylene
b	PUW-BACKNUT	Polypropylene
c	SOAP-BODY-CP	Chrome Plated ABS
d	SOAP-TOP-CP-SUB	
i	P-SOAPPUMP	Polyethylene, Stainless Steel, Nitrile
ii	SOAP-SPOUT-CP	Chrome Plated ABS
iii	SOAP-TOP-CP	Chrome Plated ABS
6	SOAP-NUT-GR	Polypropylene

© McALPINE
24/04/2013

Drawing verified
correct as of:

20/04/2015
RM

DRAWN BY

RM

REVISED

07/07/2010, 24/04/2013
20/04/2015

FILENAME

SOAP-CP.VSD

SCALE

1: 2

DATE

20/04/2015