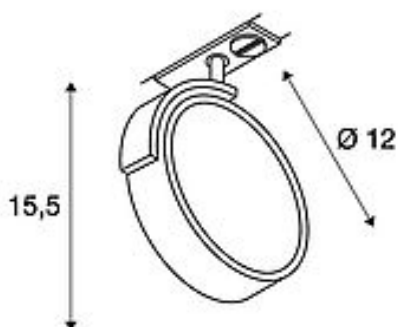


SLV KALU TRACK

spot for 240V 1-phase track, QPAR111, white, incl. 1-phase adapter



Article number	143541
Product family	KALU QPAR111
Feed-in capability	No
Lampholder / Socket	GU10
Number of light sources	1
Lamp included	No
Tilt range	90 Degree
Rotation range	350 Degree
Height	15.5 cm
Diameter	12 cm
Net weight	0.277 kg
Gross weight	0.385 kg
Voltage	230V ~50Hz
Max. wattage	75 Watt
Protection class	II
Energy efficiency class	A++
Way of mounting	Surface mounted / Ceiling mounted / Wall mounted / Ceiling track
Lamp	QPAR111
Colour	white
Form	round
Light distribution type 1	direct
Material	TBD

Articles of this series

113350	KALU RECESSED FITTING 1, single-headed, QPAR111, round, black, max. 75W, incl. clip springs
113351	KALU RECESSED FITTING 1, single-headed, QPAR111, round, white, max. 75W, incl. clip springs
113356	KALU RECESSED FITTING 1, single-headed, QPAR111, round, brushed aluminium, max. 75W, incl. clip springs
113360	KALU RECESSED FITTING 2, double-headed, QPAR111, round, black, max. 150W, incl. clip springs
113361	KALU RECESSED FITTING 2, double-headed, QPAR111, round, white, max. 150W, incl. clip springs
113366	KALU RECESSED FITTING 2, double-headed, QPAR111, round, brushed aluminium, max. 150W, incl. clip springs
113370	KALU RECESSED FITTING 3, triple-headed, QPAR111, round, black, max. 225W, incl. clip springs
113371	KALU RECESSED FITTING 3, triple-headed, QPAR111, round, white, max. 225W, incl. clip springs
113376	KALU RECESSED FITTING 3, triple-headed, QPAR111, round, brushed aluminium, max. 225W, incl. clip springs
143460	KALU TRACK, spot for 240V 1-phase track, QR111, matt black, max. 50W, incl. 1-phase adapter
143461	KALU TRACK, spot for 240V 1-phase track, QR111, white, max. 50W, incl. 1-phase adapter
143464	KALU TRACK, spot for 240V 1-phase track, QR111, silver-grey, max. 50W, incl. 1-phase adapter
143491	KALU TRACK, spot for 240V 1-phase track, TCR-TSE, white, max. 9W, incl. 1-phase adapter
143540	KALU TRACK, spot for 240V 1-phase track, QPAR111, matt black, incl. 1-phase adapter
143544	KALU TRACK, spot for 240V 1-phase track, QPAR111, silver-grey, incl. 1-phase adapter
143731	KALU TRACK, spot for 240V 1-phase track, LED, 3000K, white, incl. 1-phase adapter
143734	KALU TRACK, spot for 240V 1-phase track, LED, 3000K, silver-grey, incl. 1-phase adapter
147301	KALU wall and ceiling light, single-headed, QPAR111, round, matt white, max. 75 W

147306	KALU, wall and ceiling light, single-headed, QPAR111, round, brushed aluminium, max. 75 W
147311	KALU wall and ceiling light, double-headed, QPAR111, round, matt white, max. 150 W
147316	KALU, wall and ceiling light, double-headed, QPAR111, round, brushed aluminium, max. 150 W
147321	KALU wall and ceiling light, triple-headed, QPAR111, round, matt white, max. 225 W
147326	KALU, wall and ceiling light, triple-headed, QPAR111, round, brushed aluminium, max. 225 W
147706	KALU 2 wall and ceiling light, single-headed, QPAR111, brushed aluminium, max. 50W
147716	KALU 2 wall and ceiling light, double-headed, QPAR111, brushed aluminium, max. 100 W
152600	KALU TRACK, spot for 240V 3-phase track, LED, 3000K, round, black, incl. 3-phase adapter
152601	KALU TRACK, spot for 240V 3-phase track, LED, 3000K, round, white, incl. 3-phase adapter
152604	KALU TRACK, spot for 240V 3-phase track, LED, 3000K, round, silver-grey, incl. 3-phase adapter
152610	KALU TRACK, spot for 240V 3-phase track, QPAR111, black, max. 75 W, incl. 3-phase adapter
152611	KALU TRACK, spot for 240V 3-phase track, QPAR111, white, max. 75 W, incl. 3-phase adapter
152614	KALU TRACK, spot for 240V 3-phase track, QPAR111, silver-grey, max. 75 W, incl. 3-phase adapter
153580	KALU TRACK, spot for 240V 3-phase track, QR111, black, max. 50W, incl. 3-phase adapter
153581	KALU TRACK, spot for 240V 3-phase track, QR111, white, max. 50W, incl. 3-phase adapter
153584	KALU TRACK, spot for 240V 3-phase track, QR111, silver-grey, max. 50W, incl. 3-phase adapter
153590	KALU TRACK, spot for 240V 3-phase track, TCR-TSE, black, max. 9W, incl. 3-phase adapter
153594	KALU TRACK, spot for 240V 3-phase track, TCR-TSE, silver-grey, max. 9W, incl. 3-phase adapter
1000702	KALU, wall and ceiling light, QPAR111, single-headed, black, max. 75W

1000703	KALU, wall and ceiling light, QPAR111, double-headed, black, max. 75W
1000704	KALU, wall and ceiling light, QPAR111, three-headed, black, max. 75W
1000722	KALU, floor stand, QPAR111, single-headed, black, max. 75W
1000723	KALU, floor stand, QPAR111, single-headed, white, max. 75W
1000724	KALU, floor stand, QPAR111, single-headed, silver-grey, max. 75W
153600	KALU TRACK, spot for 3-circuit high-voltage track, LED, 3000K, black, 24°, incl. 3-circuit adapter
153601	KALU TRACK, spot for 3-circuit high-voltage track, LED, 3000K, white/black, 24°, incl. 3-circuit adapter
1002023	KALU CW, indoor surface-mounted wall and ceiling light, quad, QPAR111 black 4x75W
1002024	KALU CW, indoor surface-mounted wall and ceiling light, quad, QPAR111 white 4x75W
1002025	KALU CW, indoor surface-mounted wall and ceiling light, quad, QPAR111 brushed aluminium 4x75W

Adjustable spot KALU TRACK with suitable adapter for the 240V 1-phase track system. Conceived as an extension to the popular KALU series, this track spot takes on the shape of the product family. By the incorporated GU10 lamp holder, the spot is suitable to take LED and halogen ES111 lamps. To meet all lighting requirements, we alternatively offer versions with G53 socket and such with incorporated Philips LED modules for the 1- and 3-phase systems. This luminaire is suitable for lamps of energy classes: E - A++

Notes
