

# LOEVSCHALL

THE GOOD LIGHT

Nikkelvej 11 DK-8940

## WIFI CONTROLLER W. KINETIC SWITCH

Art. No.

3423100076 - 3423100089 - 3423100102 - 3423100115

[EN] Power must be turned off before installing fixture.

⚠ Fixture shall be installed according to local rules/guide lines.

If in doubt, please contact a certified electrician.

[DK] Strøm skal afbrydes inden installation af amatør.

⚠ Amatøren skal installeres efter lokale regler/retningslinjer.

Hvis der er tvivl, så kontakt en autoriseret el-installatør.

[SE] Strömmen måste brytas vid installation av armatur.

⚠ Armaturen måste installeras enligt lokala regler/riktlinjer.

Vid tvivel, kontakta en auktoriserad elektriker.

[NO] Strømmen må slås av for å installere armatur.

⚠ Armatur må installeres etter lokale regler/retningslinjer.

Er du i tvil, ta kontakt med en kvalifisert elektriker

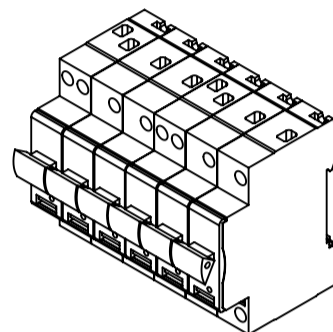
[FI] Virta on oltava sammutettuna asennuksen aikana.

⚠ Valaisin on asennettava paikallisten sääntöjen mukaisesti. Asennuksen saa tehdä vain valtuutettu sähköasentaja.

[ENG] MOUNTING INSTRUCTION  
[DK] MONTERINGSVEJLEDNING  
[SE] MONTERINGSANVISNING  
[NO] MONTERINGSANVISNING  
[FI] ASENNUSOHJEET

12VDC - max. 72W

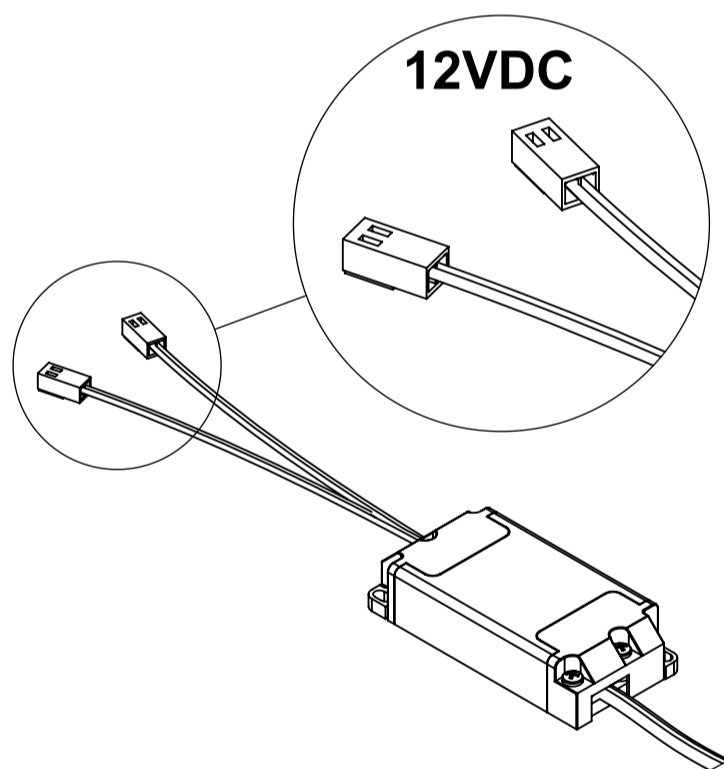
Made in P.R.C.



OFF

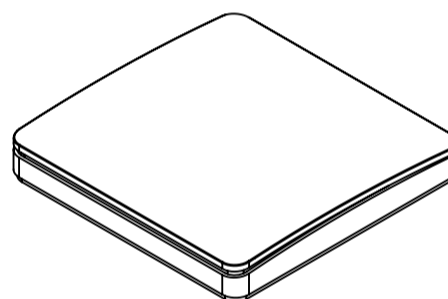
Art. No.

3423100076 - 3423100089



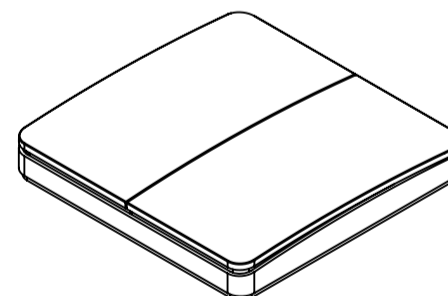
Art. No.

3423100102



Art. No.

3423100115



Installation Guide



<https://www.loevschall.dk/set-up-smarthome/?lang=en>



## Single White Controller

Item number: 3470400076

Quick Guide for setting up and connecting the Single White Controller with apps and lights.

Follow the QR code or go to  
[www.loevschall.dk/single-white-controller/?lang=en](http://www.loevschall.dk/single-white-controller/?lang=en)  
and get access to the instruction videos.



## MultiWhite® Controller

Item number: 3470400089

Quick Guide for setting up and connecting the MultiWhite® Controller with apps and lights.

Follow the QR code or go to  
<https://www.loevschall.dk/multiwhite-controller/?lang=en>  
and get access to the instruction videos.

### Instruction video overview:

Sequence A) See video 1, 2, 3, 4 (5). Watch in order - in order to learn how to set up and use the app.  
(Watching Video 5 is dependent on whether a Kinetic Switch is purchased)

Sequence B) See video 1 and 5. Watch in order - to learn the set up only using Kinetic Switch not using the app.

**1: Connecting driver, WiFi controller and light(s).**

**2: “Smart Life” App. installation and set up.**

**3: Connecting the WiFi controller and connecting light(s).**

**4: Controlling your light(s) via the App.**

**5: Connecting the Kinetic Switch to the WiFi controller and controlling the light(s) with the Kinetic Switch.**

**6a: Connecting and controlling light(s) with Google Home (Mini) via voice recognition.**

**(Play with sound)**

**6b: Connecting and controlling light(s) with Amazon Alexa (Echo Dot) via voice recognition.**

**(Play with sound)**