



Oras Safira

INSTALLATION AND MAINTENANCE GUIDE





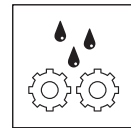
4-11



12-15



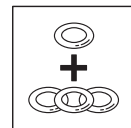
15



16-22



22-23

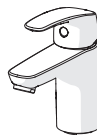
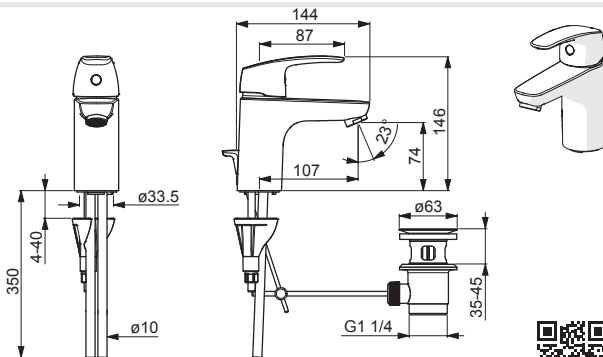


24-27



1004

I (ISO 3822)
 EN 817
 50 - 1000 kPa
 0.2 l/s (300 kPa)
 75 kPa (0.1 l/s)
 max. +80°C



static.oras.com/1004

VTT-RTH-00090-17

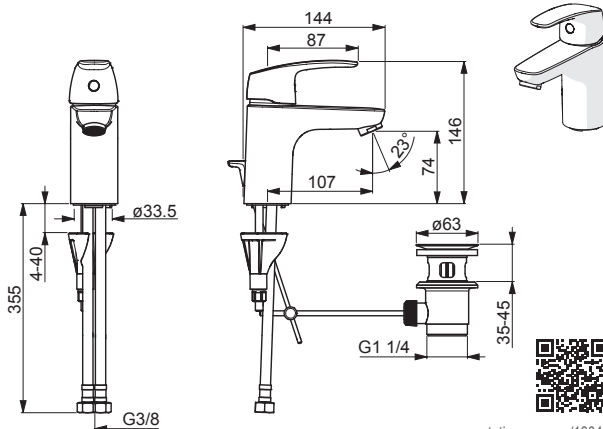


1490 KIWA Sverige 1913



1004F

I (ISO 3822) Oras lab.
 EN 817
 50 - 1000 kPa
 0.18 l/s (300 kPa)
 95 kPa (0.1 l/s)
 max. +80°C



static.oras.com/1004F

VTT-RTH-00090-17

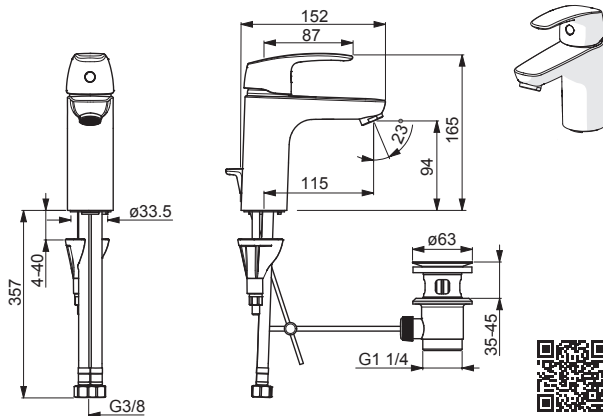


1490 KIWA Sverige 1913



1005F

I (ISO 3822)
 EN 817
 50 - 1000 kPa
 0.18 l/s (300 kPa)
 95 kPa (0.1 l/s)
 max. +80°C



static.oras.com/1005F

VTT-RTH-00090-17



1490 KIWA Sverige 1913



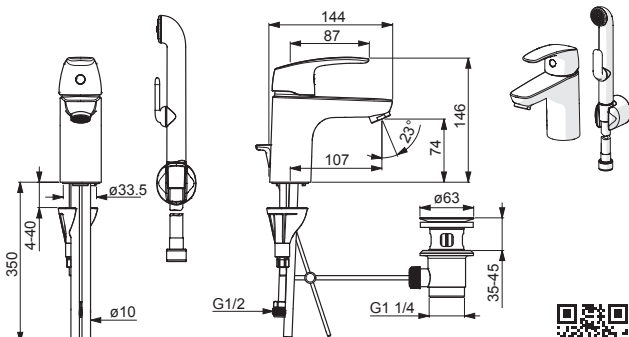
1008

I (ISO 3822)
 EN 817
 50 - 1000 kPa
 0.15 l/s (300 kPa)
 130 kPa (0.1 l/s)
 max. +80°C

VTT-RTH-00090-17



1490 KIWA Sverige 1913



static.oras.com/1008

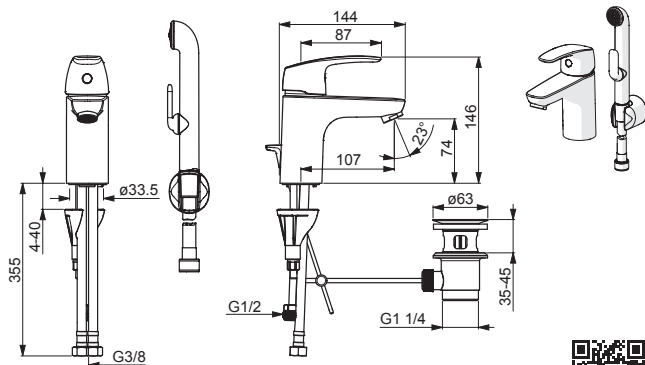
1008F

I (ISO 3822) Oras lab.
 EN 817
 50 - 1000 kPa
 0.13 l/s (300 kPa)
 160 kPa (0.1 l/s)
 max. +80°C

VTT-RTH-00090-17



1490 KIWA Sverige 1913



static.oras.com/1008F

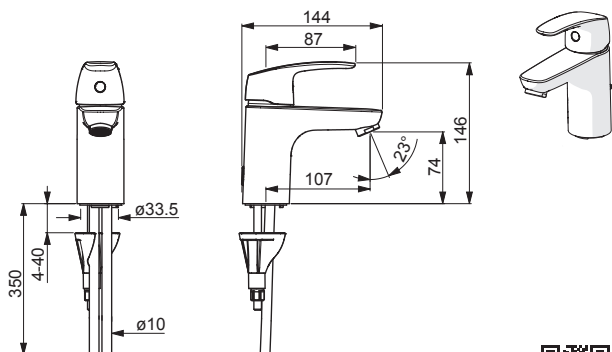
1010

I (ISO 3822)
 EN 817
 50 - 1000 kPa
 0.2 l/s (300 kPa)
 75 kPa (0.1 l/s)
 max. +80°C

VTT-RTH-00090-17



1490 KIWA Sverige 1913



static.oras.com/1010



1010F , 1010F-104 , 1010F-105

I (ISO 3822) Oras lab.

EN 817

50 - 1000 kPa

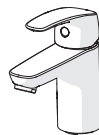
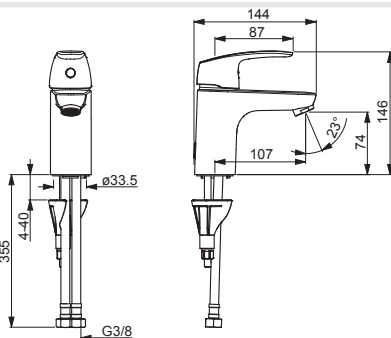
0.18 l/s (300 kPa)

0.056 l/s (300 kPa w/Controller) 1010F-104

0.07 l/s (300 kPa w/Controller) 1010F-105

95 kPa (0.1 l/s)

max. +80°C



static.oras.com/1010F



1490 KIWA Sverige 1913



1011F

I (ISO 3822)

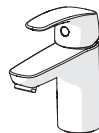
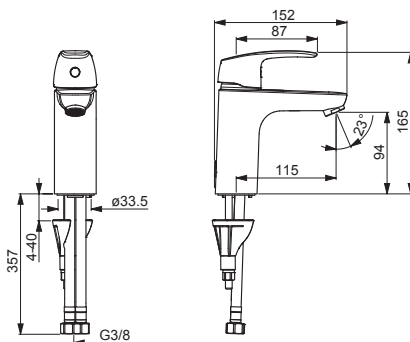
EN 817

50 - 1000 kPa

0.18 l/s (300 kPa)

95 kPa (0.1 l/s)

max. +80°C



static.oras.com/1011F

VTT-RTH-00090-17



1490 KIWA Sverige 1913



1001F

I (ISO 3822) Oras lab.

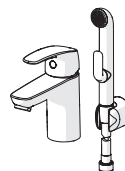
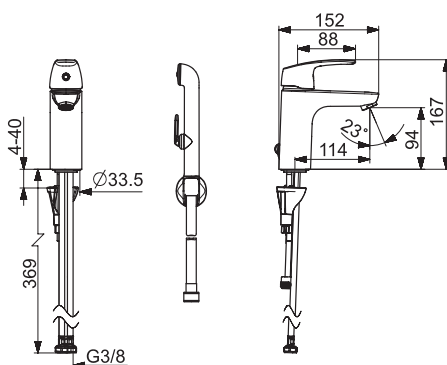
EN 817

50 - 1000 kPa

0.13 l/s (300 kPa)

160 kPa (0.1 l/s)

max. +80°C



static.oras.com/1001F

VTT-RTH-00090-17

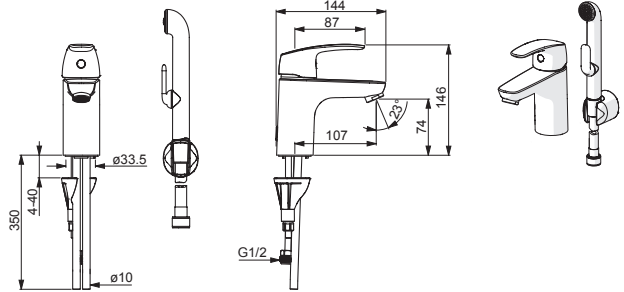


1490 KIWA Sverige 1913



1012

I (ISO 3822)
 EN 817
 50 - 1000 kPa
 0.15 l/s (300 kPa)
 130 kPa (0.1 l/s)
 max. +80°C



VTT-RTH-00090-17



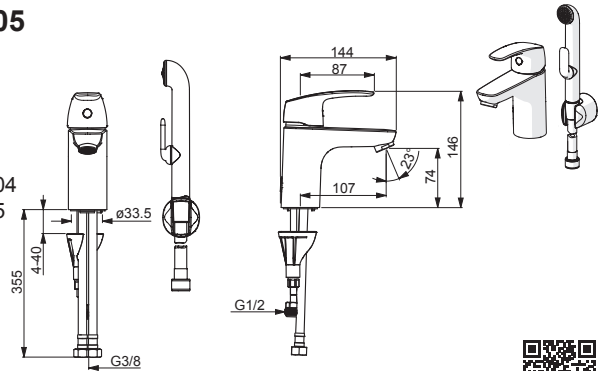
1490 KIWA Sverige 1913



static.oras.com/1012

1012F , 1012F-104 , 1012F-105

I (ISO 3822) Oras lab.
 EN 817
 50 - 1000 kPa
 0.13 l/s (300 kPa)
 0.056 l/s (300 kPa w/Controller) 1012F-104
 0.07 l/s (300 kPa w/Controller) 1012F-105
 160 kPa (0.1 l/s)
 max. +80°C



1490 KIWA Sverige 1913



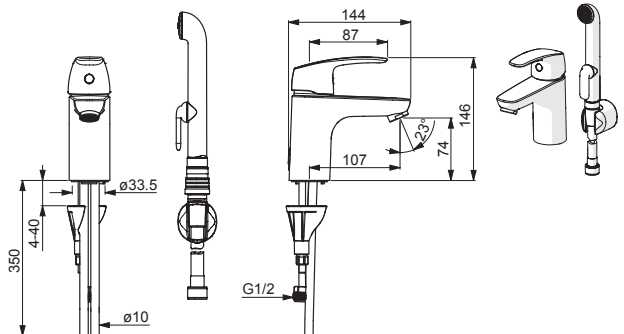
1490 KIWA Sverige 1913



static.oras.com/1012F

1012M

I (ISO 3822) Oras lab.
 EN 817
 50 - 1000 kPa
 0.15 l/s (300 kPa)
 130 kPa (0.1 l/s)
 max. +80°C

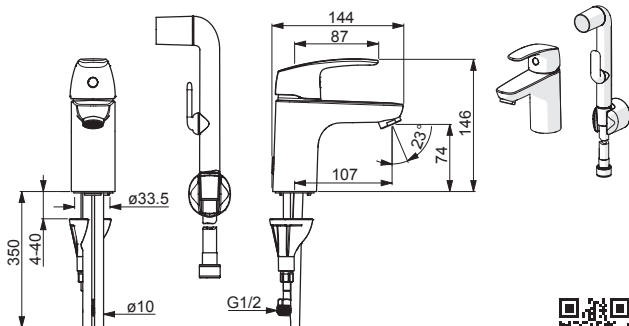


static.oras.com/1012M



1017

I (ISO 3822)
 EN 817
 50 - 1000 kPa
 0.15 l/s (300 kPa)
 130 kPa (0.1 l/s)
 max. +80°C

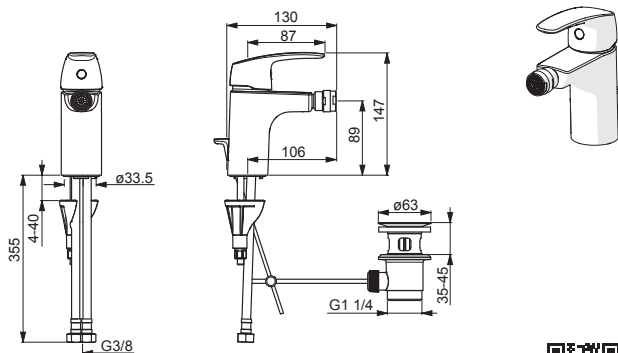


static.oras.com/1017

VTT-RTH-00090-17

1018F

I (ISO 3822) Oras lab.
 EN 817
 50 - 1000 kPa
 0.17 l/s (300 kPa)
 100 kPa (0.1 l/s)
 max. +80°C

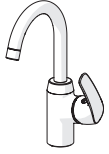
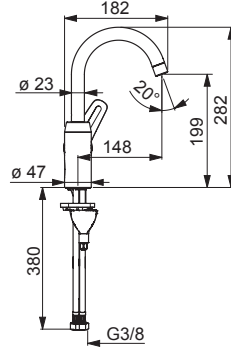
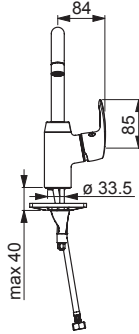


static.oras.com/1018F


 1490 KIWA Sverige 1913 

1007F

I (ISO 3822)
EN 817
50 - 1000 kPa
0.17 l/s (300 kPa)
100 kPa (0.1 l/s)
max. +80°C



VTT-RTH-00090-17

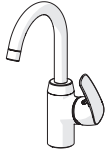
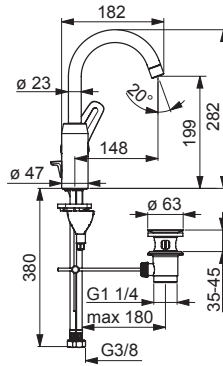
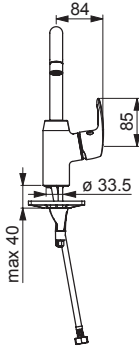
 1490 KIWA Sverige 1913



static.oras.com/1007F

1009F

I (ISO 3822) Oras lab.
EN 817
50 - 1000 kPa
0.17 l/s (300 kPa)
100 kPa (0.1 l/s)
max. +80°C



 1490 KIWA Sverige 1913

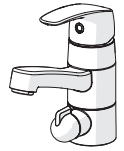
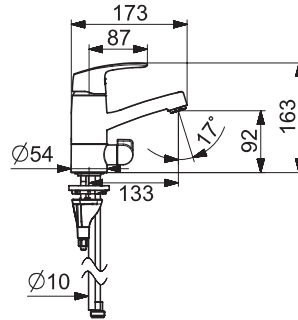
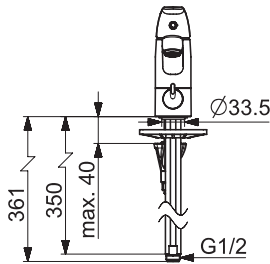


static.oras.com/1009F



1013

I (ISO 3822)
 EN 817
 50 - 1000 kPa
 0.2 l/s (300 kPa)
 75 kPa (0.1 l/s)
 max. +80°C



VTT-RTH-00090-17



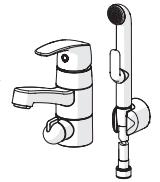
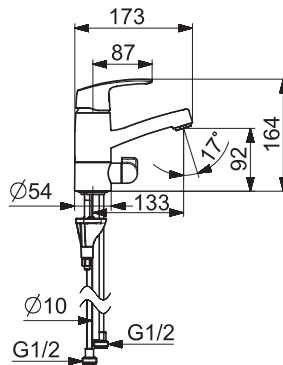
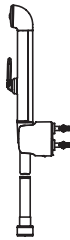
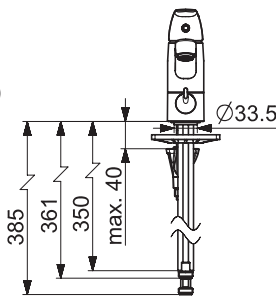
1490 KIWA Sverige 1913



static.oras.com/1013

1014

I (ISO 3822)
 EN 817
 50 - 1000 kPa
 0.15 l/s (300 kPa)
 130 kPa (0.1 l/s)
 max. +80°C



VTT-RTH-00090-17



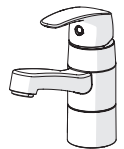
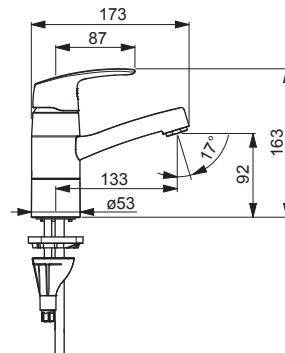
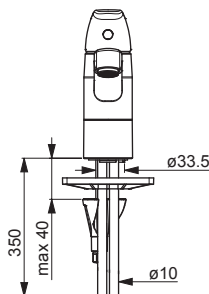
1490 KIWA Sverige 1913



static.oras.com/1014

1015

I (ISO 3822)
 EN 817
 50 - 1000 kPa
 0.2 l/s (300 kPa)
 75 kPa (0.1 l/s)
 max. +80°C



VTT-RTH-00090-17



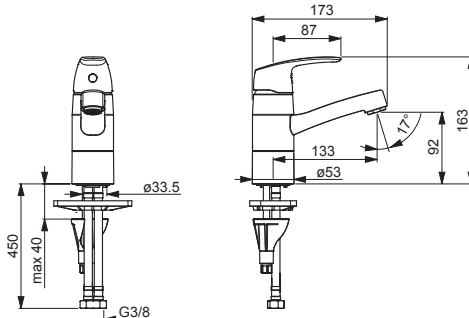
1490 KIWA Sverige 1913



static.oras.com/1015

1015F

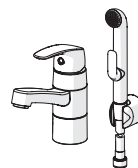
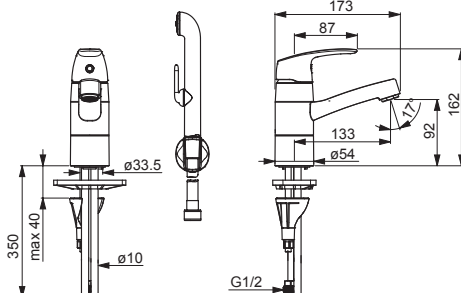
I (ISO 3822) Oras lab.
 EN 817
 50 - 1000 kPa
 0.18 l/s (300 kPa)
 95 kPa (0.1 l/s)
 max. +80°C



static.oras.com/1015F

1021

I (ISO 3822)
 EN 817
 50 - 1000 kPa
 0.15 l/s (300 kPa)
 130 kPa (0.1 l/s)
 max. +80°C



static.oras.com/1021

VTT-RTH-00090-17

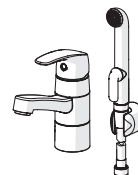
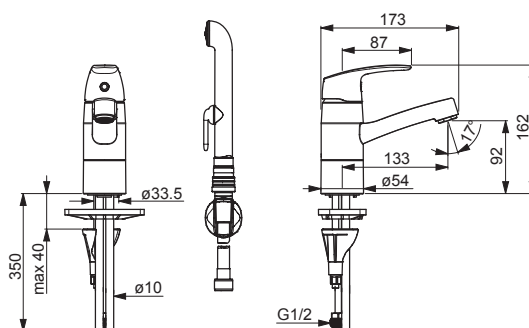


1490 KIWA Sverige 1913



1021M

I (ISO 3822)
 EN 817
 50 - 1000 kPa
 0.19 l/s (300 kPa)
 85 kPa (0.1 l/s)
 max. +80°C



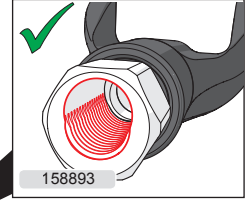
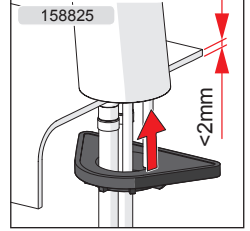
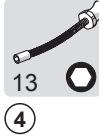
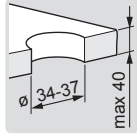
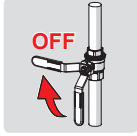
static.oras.com/1021M

VTT-RTH-00090-17

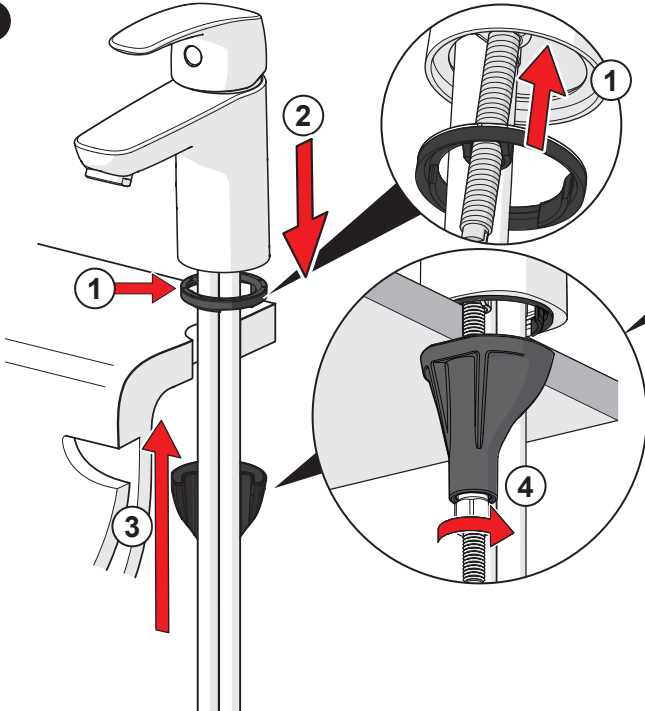


1491 KIWA Sverige 1913





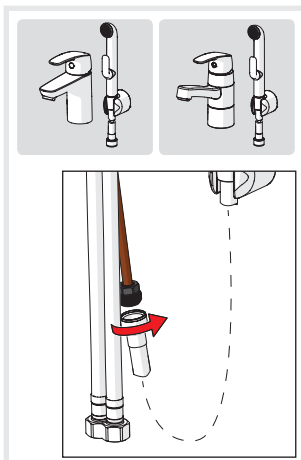
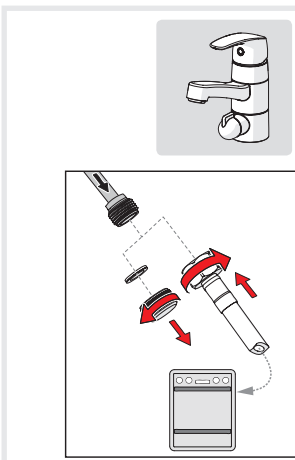
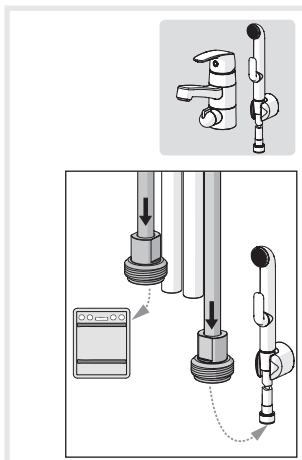
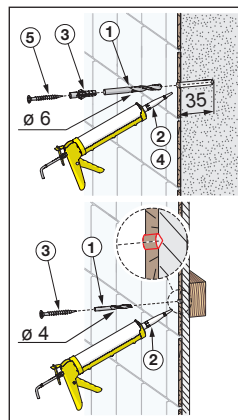
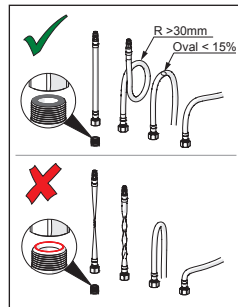
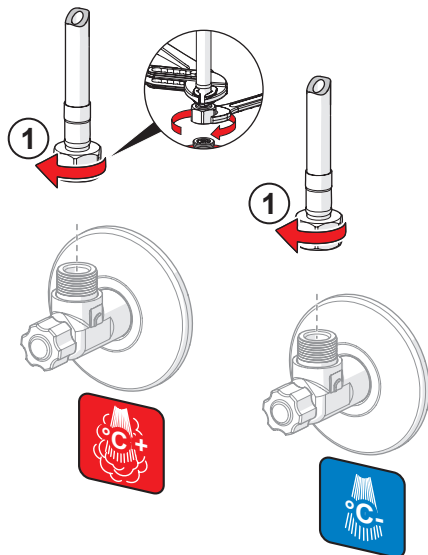
1





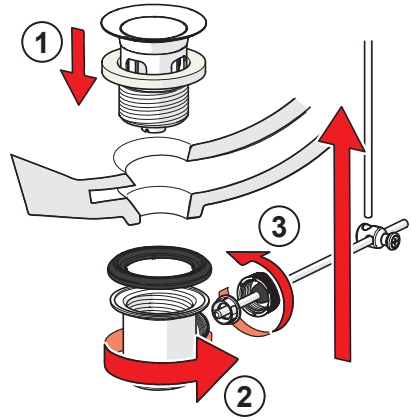
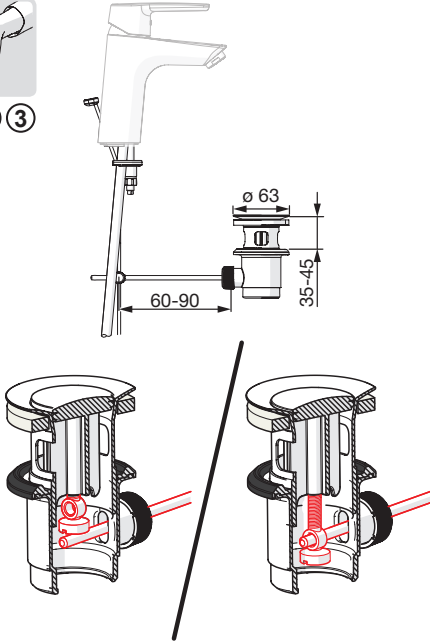
①

max.
1600 kPa



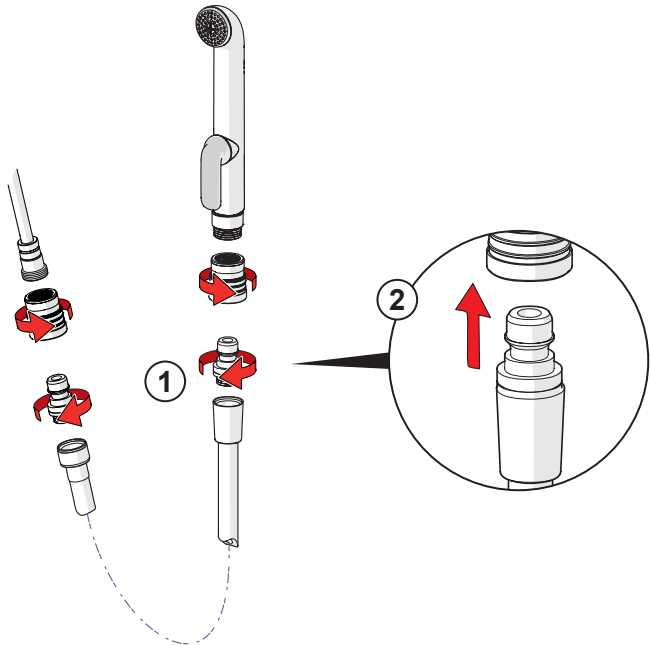


① ② ③



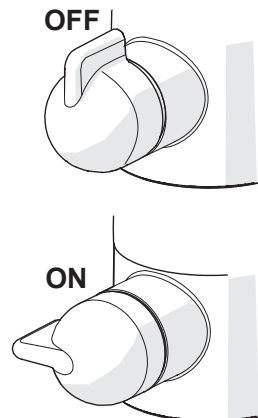
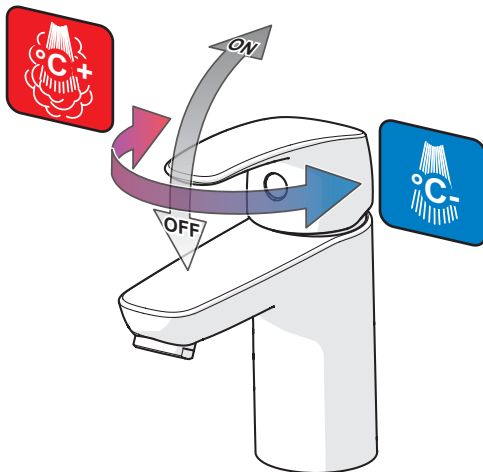
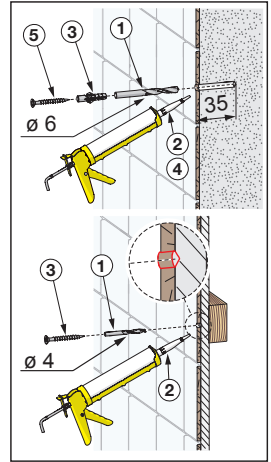
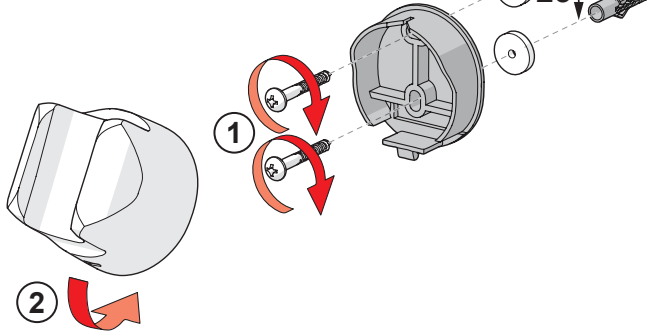
① ②

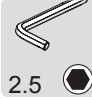
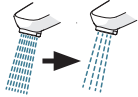
② 1012M, 1021M





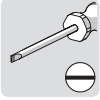
1



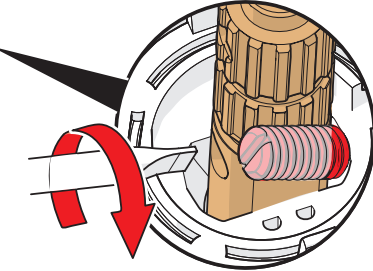
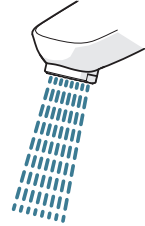
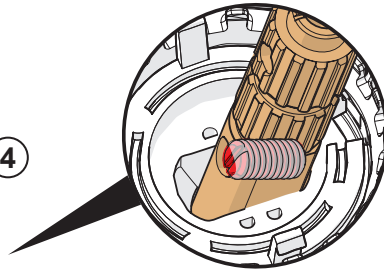
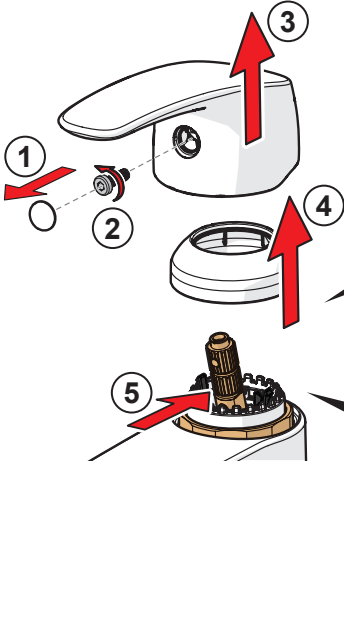


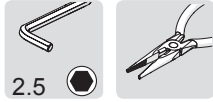
2.5

②

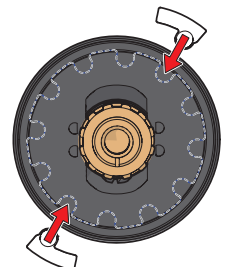
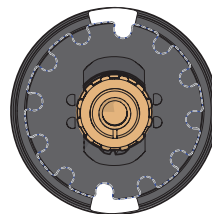
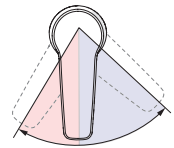
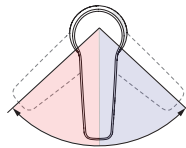
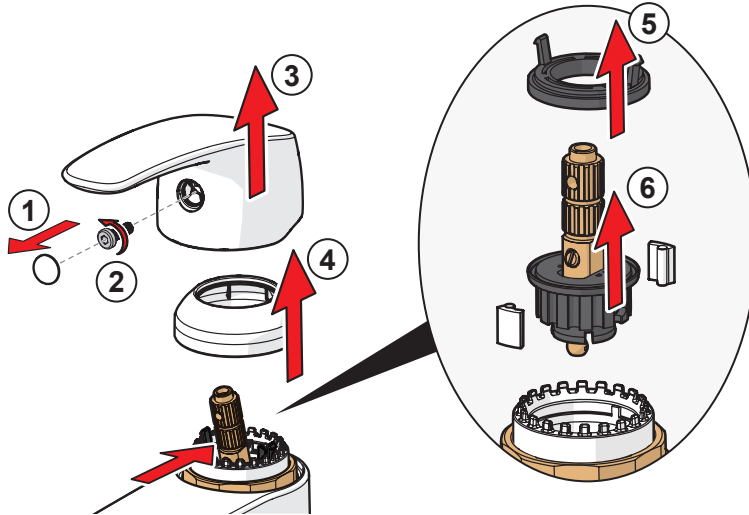


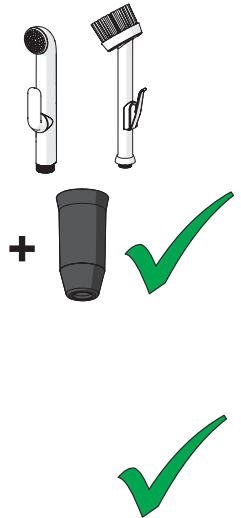
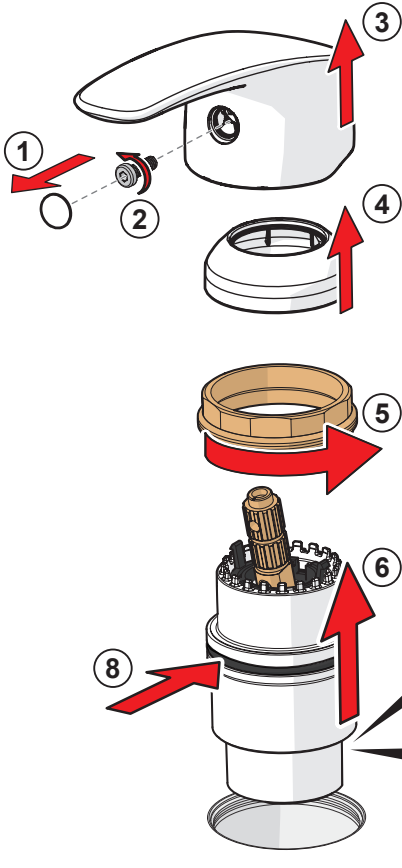
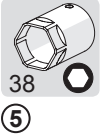
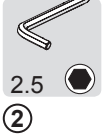
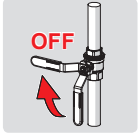
⑤

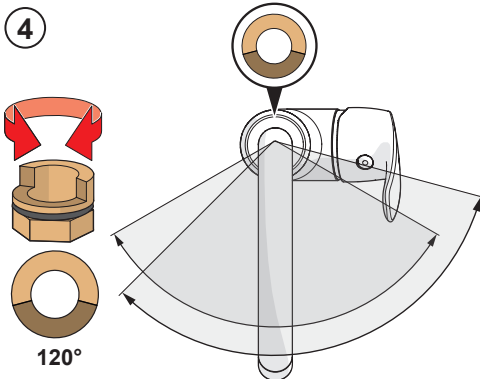
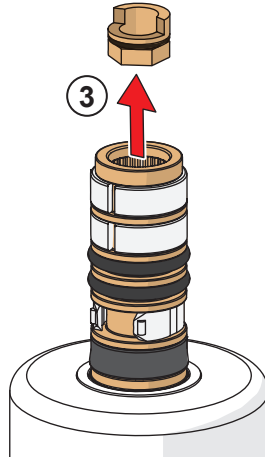
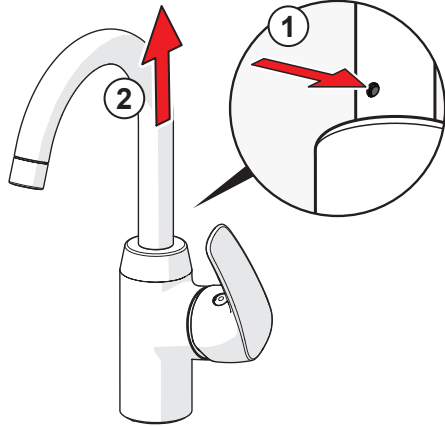
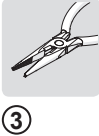
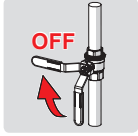




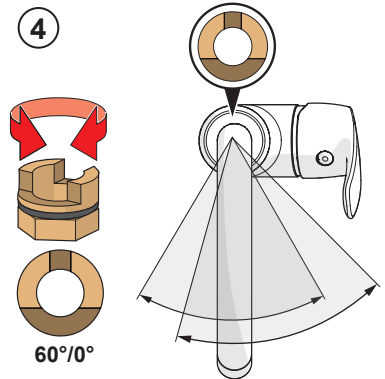
② ⑤ ⑥



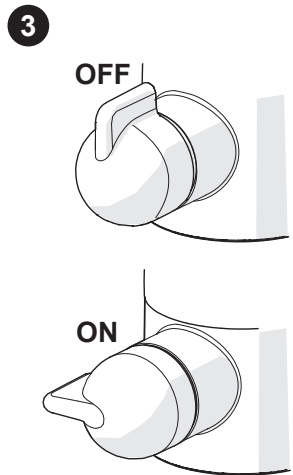
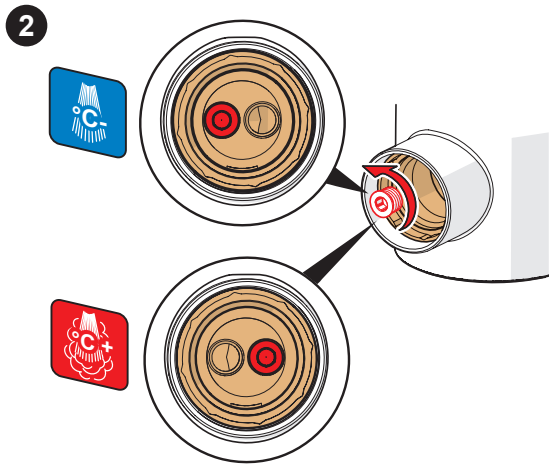
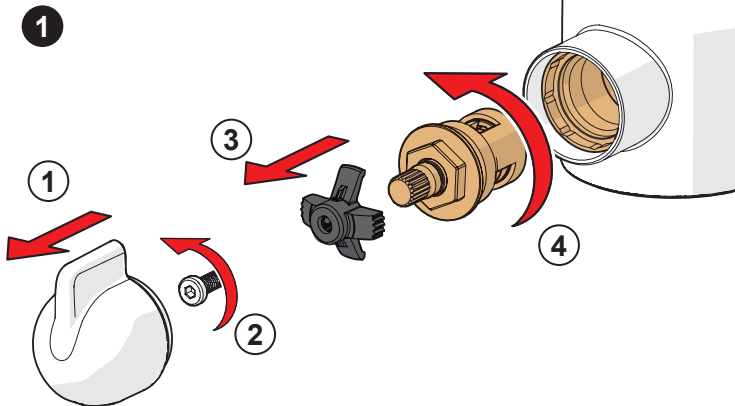
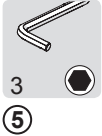
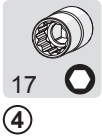
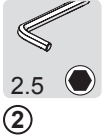
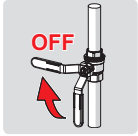
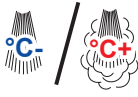


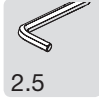


159670/10



159667/10





2.5

A1



G1

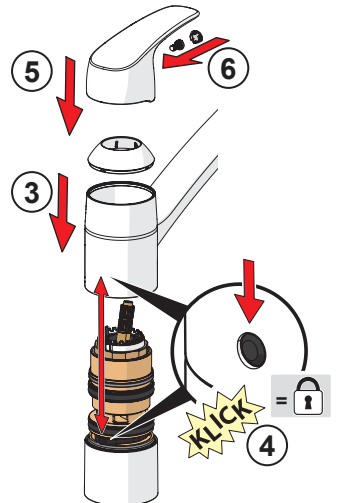
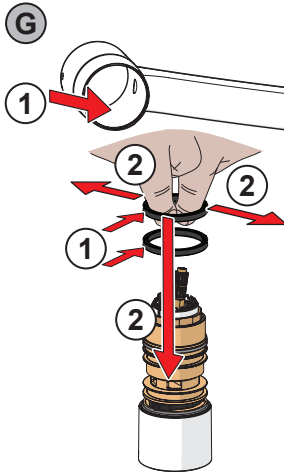
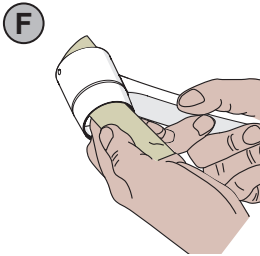
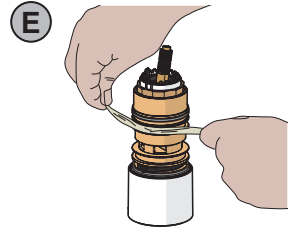
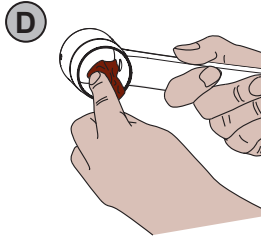
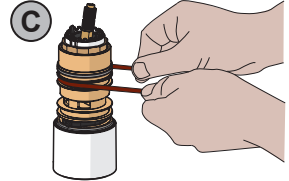
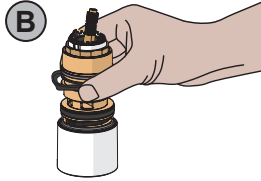
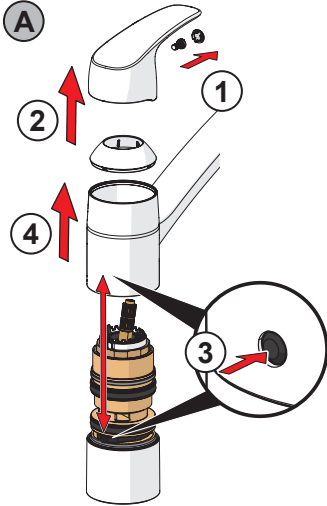


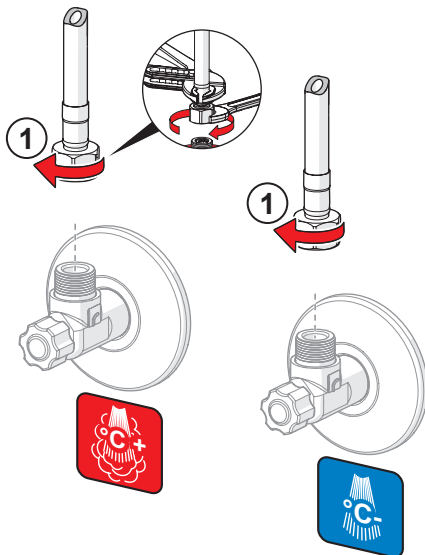
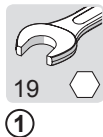
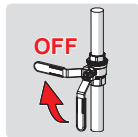
G2



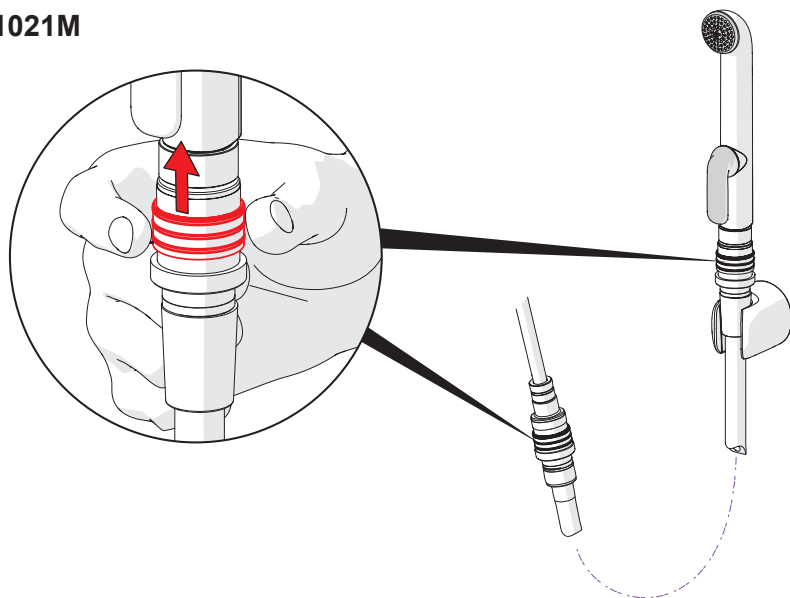
2.5

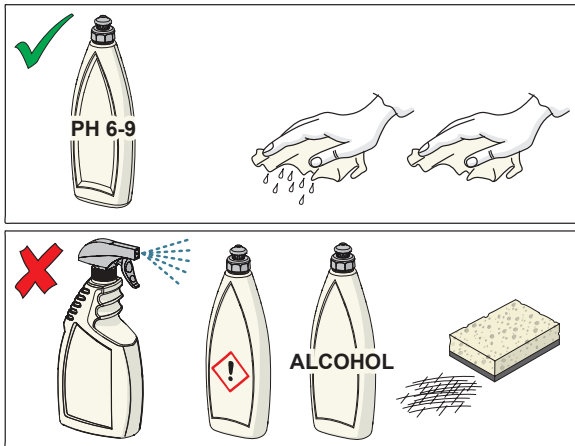
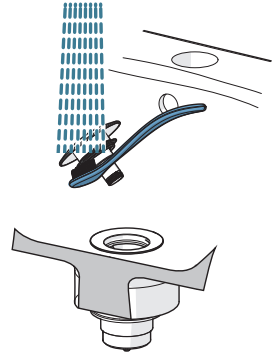
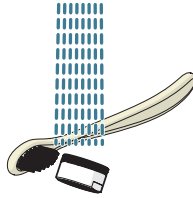
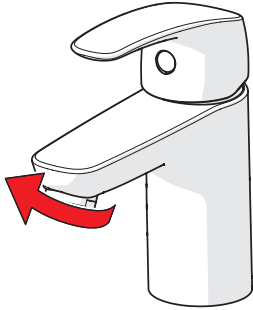
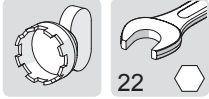
G6





1012M, 1021M

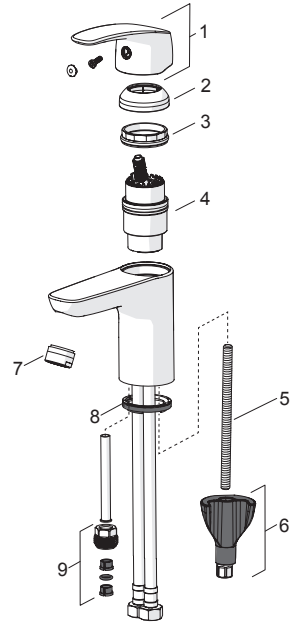






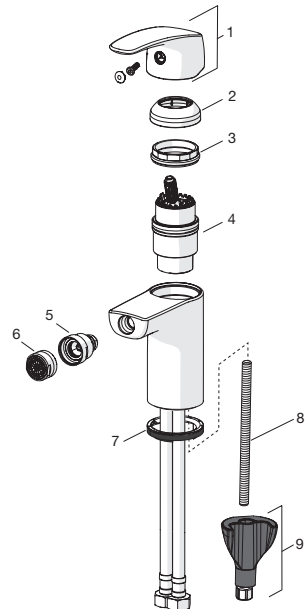
**1001F , 1004 , 1004F , 1005F , 1008 , 1008F ,
1010 , 1010F , 1010F-104 , 1010F-105 , 1011F ,
1012 , 1012F , 1012F-104 , 1012F-105 , 1012M ,
1017**

- | | | |
|---|----------|----------------------|
| 1 | 602502V | |
| 2 | 1000664V | |
| 3 | 158726 | |
| 4 | 600979V | green building |
| 4 | 158890 | |
| 5 | 1000780V | |
| 6 | 602610V | |
| 7 | 601166V | 1012F-105, 1010F-105 |
| 7 | 232211 | |
| 7 | 601434V | 1012F-104, 1010F-104 |
| 8 | 601971V | |
| 9 | 159684 | |



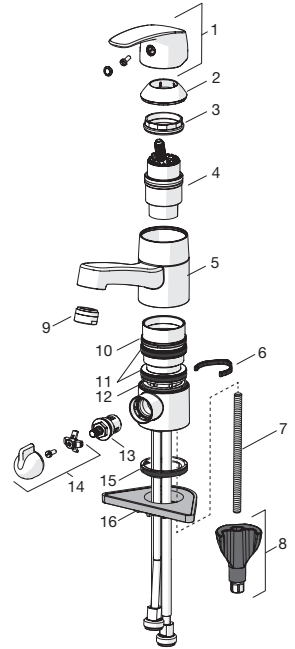
1018F

- | | |
|---|----------|
| 1 | 602502V |
| 2 | 1000664V |
| 3 | 158726 |
| 4 | 158890 |
| 5 | 601976V |
| 6 | 232211 |
| 7 | 601971V |
| 8 | 1000780V |
| 9 | 602610V |



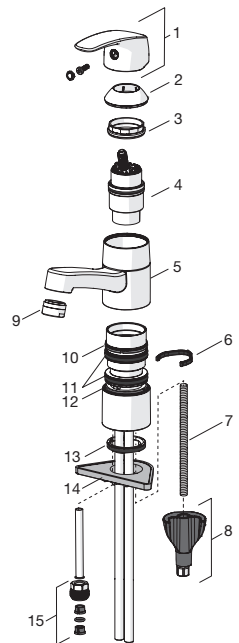
1014

- 1 602502V
- 2 602589V
- 3 158726
- 4 158890
- 5 602520V
- 6 1002207/10 40° - 80°
- 6 1001406/10 120°
- 7 1000780V
- 8 602610V
- 9 232211
- 10 601097/10
- 11 158735
- 12 159423/10
- 13 602600V
- 14 1005697V
- 15 1002371V
- 16 158825



1015 , 1015F , 1021 , 1021M

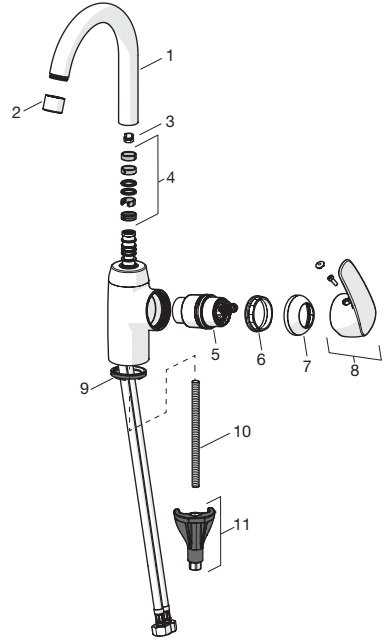
- 1 602502V
- 2 602589V
- 3 158726
- 4 158890
- 5 602520V
- 6 1002207/10 40° - 80°
- 6 1001406/10 120°
- 7 1000780V
- 8 602610V
- 9 232211
- 10 601097/10
- 11 158735
- 12 159423/10
- 13 1002371V
- 14 158825
- 15 159684





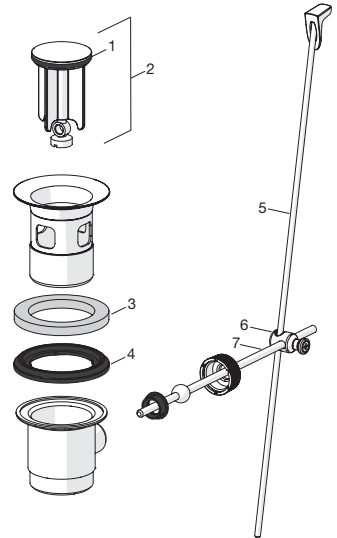
1007F , 1009F

- 1 1001055V
- 2 1001070V
- 3 159667V
- 3 159667/10
- 3 159670/10
- 4 1001098V
- 5 158890
- 6 158726
- 7 602503V
- 8 602601V
- 9 601971V
- 10 1000780V
- 11 602610V



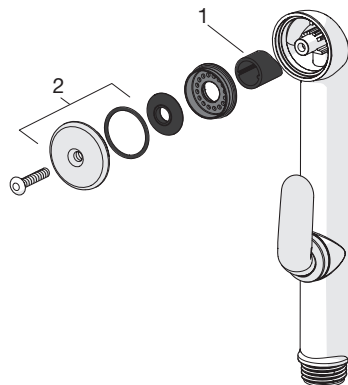
158552 , 1004 , 1004F , 1005F , 1008 , 1008F , 1018F , 1009F

- 1 559522/10
- 2 559506
- 3 559603/10
- 4 559536
- 5 559529
- 5 1000681V
- 6 559523
- 7 559591



**242050 , 1001F , 1008 , 1008F , 1012 , 1012F ,
1012F-104 , 1012F-105 , 1017 , 1014 , 1021**

- 1 249302/10
- 2 249690



Oras Group is a powerful European provider of sanitary fittings: the market leader in the Nordics and a leading company in Continental Europe. The company's mission is to make the use of water easy and sustainable and its vision is to become the European leader of advanced sanitary fittings. Oras Group has two strong brands, Oras and Hansa.

The head office of the Group is located in Rauma, Finland, and the Group has three manufacturing sites: Kralovice (Czech Republic), Olesno (Poland) and Rauma (Finland). Oras Group employs approximately 1400 people in twenty countries. Oras Group is owned by Oras Invest, a family company and an industrial owner.

ORAS LTD
Isometsäntie 2, P.O. Box 40
FI-26101 Rauma
Tel. +358 2 83 161
Fax +358 2 831 6300
info.finland@oras.com
www.oras.com

