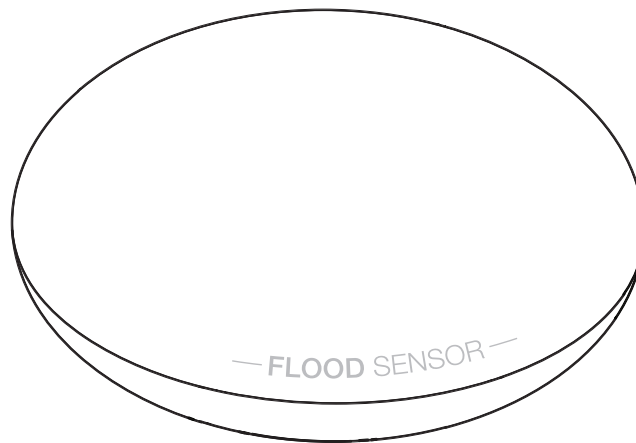




OPERATING MANUAL

EN



FIBARO FLOOD SENSOR FGBHFS-101



CONTENTS

v1.1

#1: Description and features	3	#6: Functionalities	8
#2: Powering the accessory	4	#7: Configurable parameters	9
#3: Pairing the accessory	5	#8: Specifications	10
#4: Physical installation	6	#9: Regulations	11
#5: Reset	7		

Important safety information



Read this manual before attempting to install the device!

Failure to observe recommendations included in this manual may be dangerous or cause a violation of the law. The manufacturer, Fibar Group S.A. will not be held responsible for any loss or damage resulting from not following the instructions of operating manual.

HomeKit technology

Apple HomeKit technology provides an easy, secure way to control HomeKit-enabled accessories using Siri on your iPhone, iPad, or iPod touch.

After installing your **FIBARO Flood Sensor**, configure it from a compatible app with just a few simple steps.

You can even create your own custom scenes to control your home settings. For example, you can create a scene to automatically turn off the lights, lock your doors, close the garage door, and set the thermostat to the desired temperature in just one step.



To control this HomeKit-enabled accessory, iOS 9.3.5 or later is recommended.

Controlling this HomeKit-enabled accessory automatically and away from home requires an Apple TV with tvOS 9.2 or later or an iPad with iOS 9.3 or later set up as a home hub.

#1: Description and features

FIBARO Flood Sensor is a HomeKit-enabled water sensor using *Bluetooth*® low energy technology.

Along with detecting flooding, the accessory measures the ambient temperature.

Tampering is detected whenever the accessory is moved or casing is opened.

Built-in LED indicator and an acoustic alarm signal flooding and tampering. The LED can be also used to identify the accessory.

The accessory is designed to be placed on the floor or mounted on a wall (in this case sensor should be extended using an external probe).

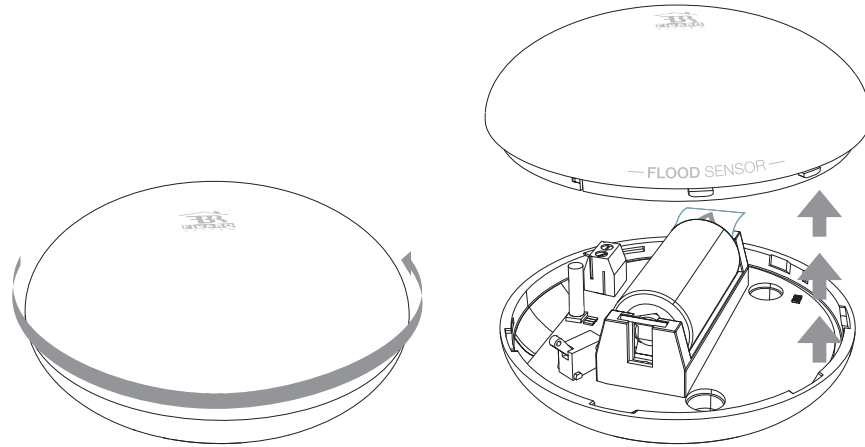
The accessory is sink-proof, which means it drifts on the water surface and keeps on sending alarm signal in case of substantial inundation of water.

Main features of FIBARO Flood Sensor:

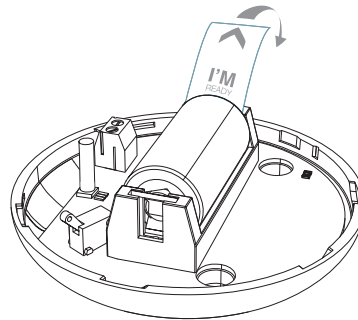
- compatible with Apple HomeKit technology
- *Bluetooth*® low energy technology for wireless communication
- detects flooding
- detects tampering using accelerometer or when the casing is opened
- easy installation - simply put on a surface prone to flooding
- may be installed anywhere - sensor can be extended using an external probe (not included)
- battery powered
- indicates state using LED diode and buzzer

#2: Powering the accessory

1. Turn the cover counter-clockwise and open it.



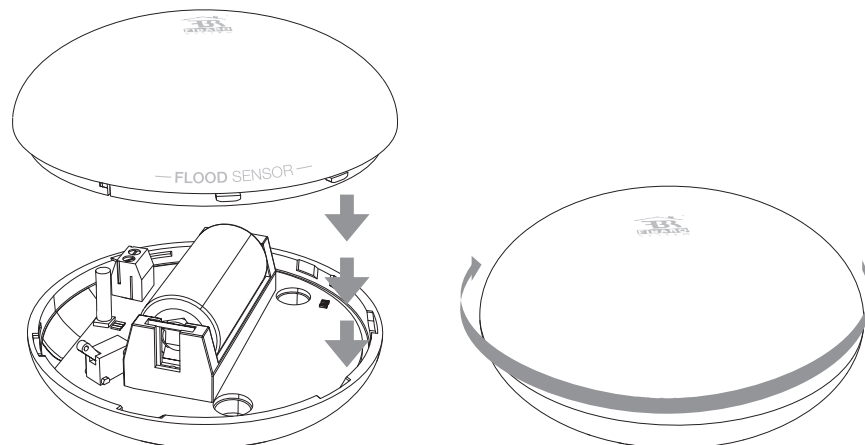
2. Remove the battery blocker.



i NOTE

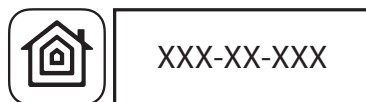
If the accessory blinks green after powering, it is already paired and has to be reset to pair again.

3. The accessory will glow red – it is ready to be paired.
4. Close the cover and turn it clockwise.



#3: Pairing the accessory

1. Open the Settings app on your iOS device.
2. Go to the *Bluetooth*[®] section, and turn the *Bluetooth*[®] on.
3. Place the accessory next to your iOS device.
4. Open a HomeKit compatible app of your choosing on your iOS device.
5. Open pairing window in your HomeKit app to detect available accessories.
6. Choose Flood Sensor you wish to pair.
7. You can identify it - Flood Sensor will triple blink blue 3 times.
8. Find HomeKit Setup Code on the last page of *Quick Start Guide* included in the box that looks like this:



9. Start pairing with your HomeKit app.
10. Point your iOS device's camera at the Setup Code to scan it or enter the Setup Code manually.
11. If entered Setup Code is valid, the device will complete the setup process.
12. Follow instructions displayed in the application.

NOTE

Remember to keep your HomeKit Setup Code in safe place. You may need it in case of re-pairing.

#4: Physical installation

i NOTE

Before completing the installation it is recommended to test sensor's operation by placing the entire sensor or sensor probe onto water surface.

i NOTE

Mounting screws shown in a diagram are not included. Choose a screw type depending on the building material it is being attached to.

! CAUTION

Sensor's contacts are dedicated to flood detection only. Do not connect external voltage!

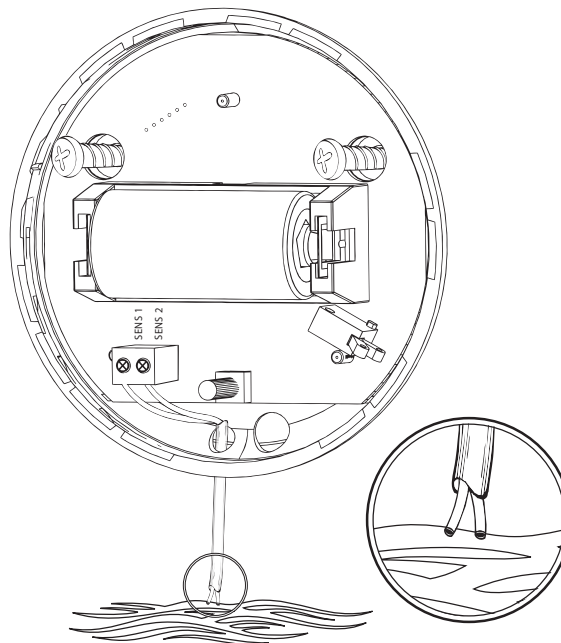
To install the Flood Sensor simply place it sensor on a surface prone to flooding.

Three electrodes underneath the device should evenly touch the surface.

Extending Flood Sensor contacts with a wired probe:

If you want the accessory to be mounted on a wall or in a distance from flooding source, sensor should be extended using an external probe (not included).

We recommend using extension probes or cables designed to detect water. Probes ends should be coated with non-corrosive metal. Connection wires should not be longer than 3m and thicker than 18AWG (0.82mm²).

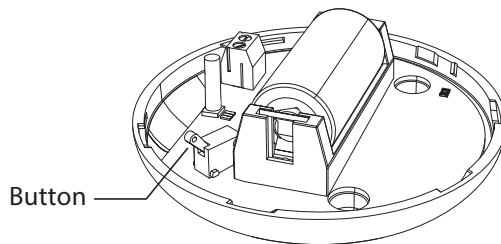


#5: Reset

Resetting the Flood Sensor to factory defaults:

Reset procedure allows to restore the accessory back to its factory settings including HomeKit pairing.

1. Open the cover.
2. Press the button 3 times then press and hold the button.



3. Wait for the LED indicator to glow yellow.
4. Release the button.
5. Click the button to confirm.
6. Accessory will glow red to confirm reset.

i NOTE

Resetting the accessory will not remove it from the app. We recommend removing it manually before pairing it again.

#6: Functionalities

Flooding detection:

The Flood Sensor alarms about flooding whenever water connects sensor's probes and reports it to your iOS device.

Until the flooding does not cease, the accessory constantly beeps and blinks red signaling the alarm.

Tampering signalization is ignored during the alarm.

Tamper detection:

The Flood Sensor detects tampering when the accessory is moved or casing is opened and reports it to your iOS device.

Tampering is indicated with an alternate blinking in red, blue and white and one short beep.

Temperature measuring:

The Flood Sensor measures ambient temperature every 10 minutes. If the measured temperature differs from previously reported by at least 1°C (1.8°F), accessory reports it to your iOS device.

Battery level measuring:

The Flood Sensor measures battery level every 24 hours and reports it to your iOS device. Additionally, if battery level is below 15%, the accessory will report low level battery status to your iOS device.

#7: Configurable parameters

1. Tamper – sensor sensitivity

This parameter allows to set sensitivity of tamper detection.

The higher the value of this parameter, the higher the sensitivity.

If the installation surface is prone to vibrations, setting lower sensitivity is recommended.

Available settings:	0 – tamper disabled 1 – low sensitivity 2 – medium sensitivity 3 – high sensitivity
Default setting:	2 (medium sensitivity)

#8: Specifications



CAUTION

Using batteries other than specified may result in explosion. Dispose of properly, observing environmental protection rules.

Power supply:	3.0V DC battery
Battery type:	CR123A
EU directives compliance:	RoHS 2011/65/EU RED 2014/53/EU
Radio protocol:	<i>Bluetooth</i> ® low energy
Radio frequency:	2.4 GHz
Range:	up to 50m (free range) (164 feet)
Operating temperature:	0-40°C (32-104°F)
Measured temperature range:	0-40°C (32-104°F)
Temperature measuring accuracy:	±0.5°C (±0.9°F)
Dimensions (diameter x height):	72 x 28 mm (2.8 x 1.1 inch)

#9: Regulations

This device complies with Part 15 of the FCC Rules

Operation is subject to the following two conditions:

1. This device may not cause harmful interference
2. This device must accept any interference received, including interference that may cause undesired operation. This equipment has been tested and found to comply with the limits for a Class B digital device, pursuant to part 15 of the FCC Rules. These limits are designed to provide reasonable protection against harmful interference in a residential installation. This equipment generates, uses and can radiate radio frequency energy and, if not installed and used in accordance with the instructions, may cause harmful interference to radio communications. However, there is no guarantee that interference will not occur in a particular installation. If this equipment does cause harmful interference to radio or television reception, which can be determined by turning the equipment off and on, the user is encouraged to try to correct the interference by one or more of the following measures:

- Reorient or relocate the receiving antenna.
- Increase the separation between the equipment and receiver.
- Connect the equipment into an outlet on a circuit different from that to which the receiver is connected.
- Consult the dealer or an experienced radio/TV technician for help.

Note

Changes and modifications not expressly approved by the manufacturer or registrant of this equipment can void your authority to operate this equipment under Federal Communications Commission's rules.

Industry Canada (IC) Compliance Notice

This device complies with Industry Canada license-exempt RSSs. Operation is subject to the following two conditions: (1) this device may not cause interference, and (2) this device must accept any interference, including interference that may cause undesired operation of the device.

Cet appareil est conforme aux normes d'exemption de licence RSS d'Industry Canada. Son fonctionnement est soumis aux deux conditions suivantes : (1) cet appareil ne doit pas causer d'interférence et (2) cet appareil doit accepter toute interférence, notamment les interférences qui peuvent affecter son fonctionnement.

Radio frequency (RF) exposure statement

This equipment should be installed and operated keeping the radiator at least 20 cm or more away from person's body.

Cet équipement doit être installé et utilisé en gardant une distance de 20 cm ou plus entre le dispositif rayonnant et le corps.

DGT Warning Statement

Article 12

Without permission, any company, firm or user shall not alter the frequency, increase the power, or change the characteristics and functions of the original design of the certified lower power frequency electric machinery.

Article 14

The application of low power frequency electric machineries shall not affect the navigation safety nor interfere a legal communication, if an interference is found, the service will be suspended until improvement is made and the interference no longer exists.

第十二條

經型式認證合格之低功率射頻電機，非經許可，公司、商號或使用者均不得擅自變更頻率、加大功率或變更原設計之特性及功能。

第十四條

低功率射頻電機之使用不得影響飛航安全及干擾合法通信；經發現有干擾現象時，應立即停用，並改善至無干擾時方得繼續使用。前項合法通信，指依電信法規定作業之無線電通信。

低功率射頻電機須忍受合法通信或工業、科學及醫療用電波輻射性電機設備之干擾。

Legal Notices

All information, including, but not limited to, information regarding the features, functionality, and/or other product specification are subject to change without notice. Fibaro reserves all rights to revise or update its products, software, or documentation without any obligation to notify any individual or entity.

FIBARO and Fibar Group logo are trademarks of Fibar Group S.A.

The Bluetooth word mark and logos are registered trademarks owned by Bluetooth SIG, Inc. and any use of such marks by Fibar Group S.A. is under license.

Apple, iPhone, iPad, iPad Air, and iPod touch are trademarks of Apple Inc., registered in the U.S. and other countries. HomeKit is a trademark of Apple Inc.

All other brands and product names referred to herein are trademarks of their respective holders.

Use of the Works with Apple HomeKit logo means that an electronic accessory has been designed to connect specifically to iPod touch, iPhone, or iPad, respectively, and has been certified by the developer to meet Apple performance standards. Apple is not responsible for the operation of this device or its compliance with safety and regulatory standards.


Warning

This product is not a toy. Keep away from children and animals!

Information according REACH

The included Panasonic CR123A battery contains 1,2-Dimethoxyethane substance. Normal use of the device does not expose the user to a given substance.

Declaration of conformity

 Hereby, Fibar Group S.A. declares that the device is in compliance with the essential requirements and other relevant provisions of Directive 2014/53/EU. The full text of the EU declaration of conformity is available at the following internet address: www.manuals.fibaro.com

WEEE Directive Compliance

Device labelled with this symbol should not be disposed with other household wastes. It shall be handed over to the applicable collection point for the recycling of waste electrical and electronic equipment.

EAC