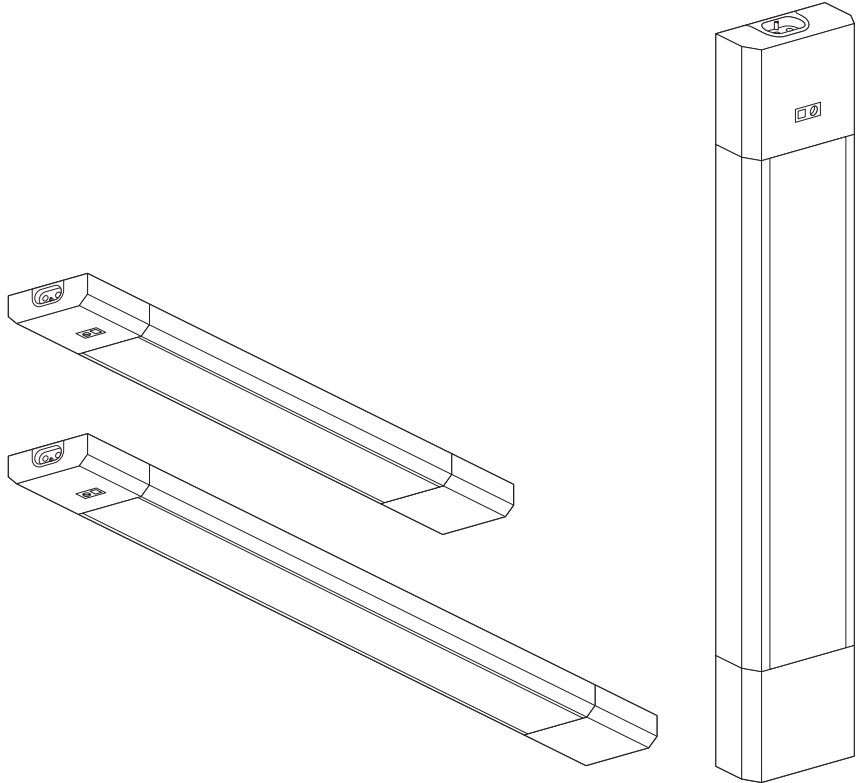
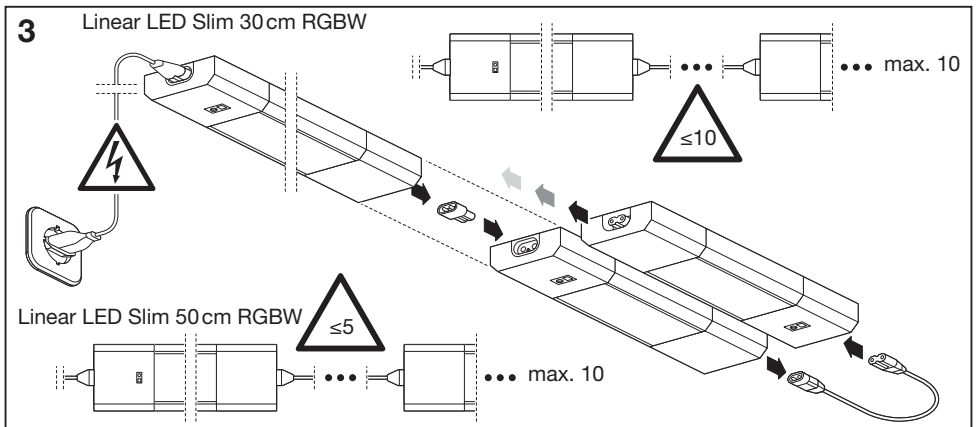
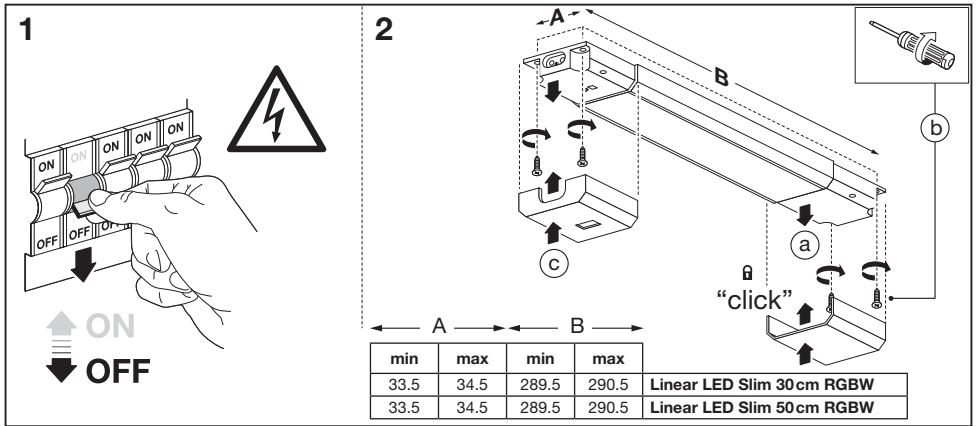
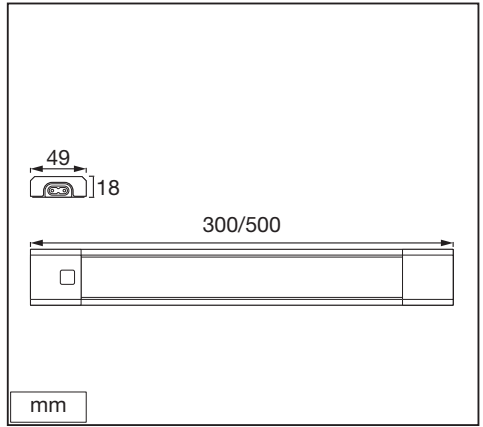
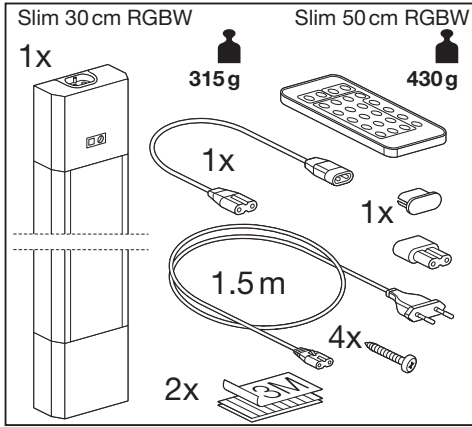
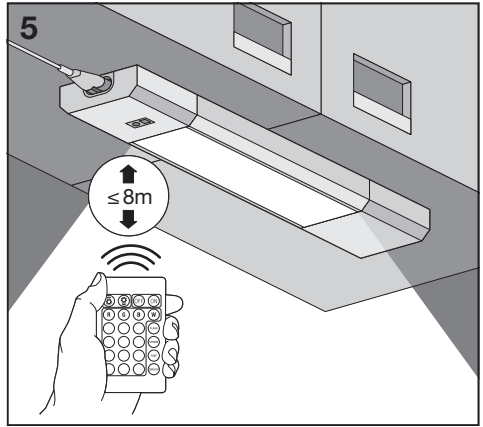
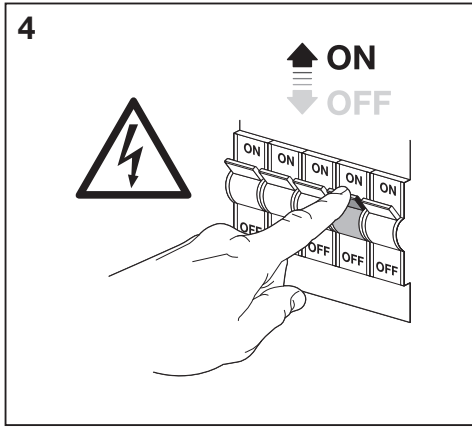
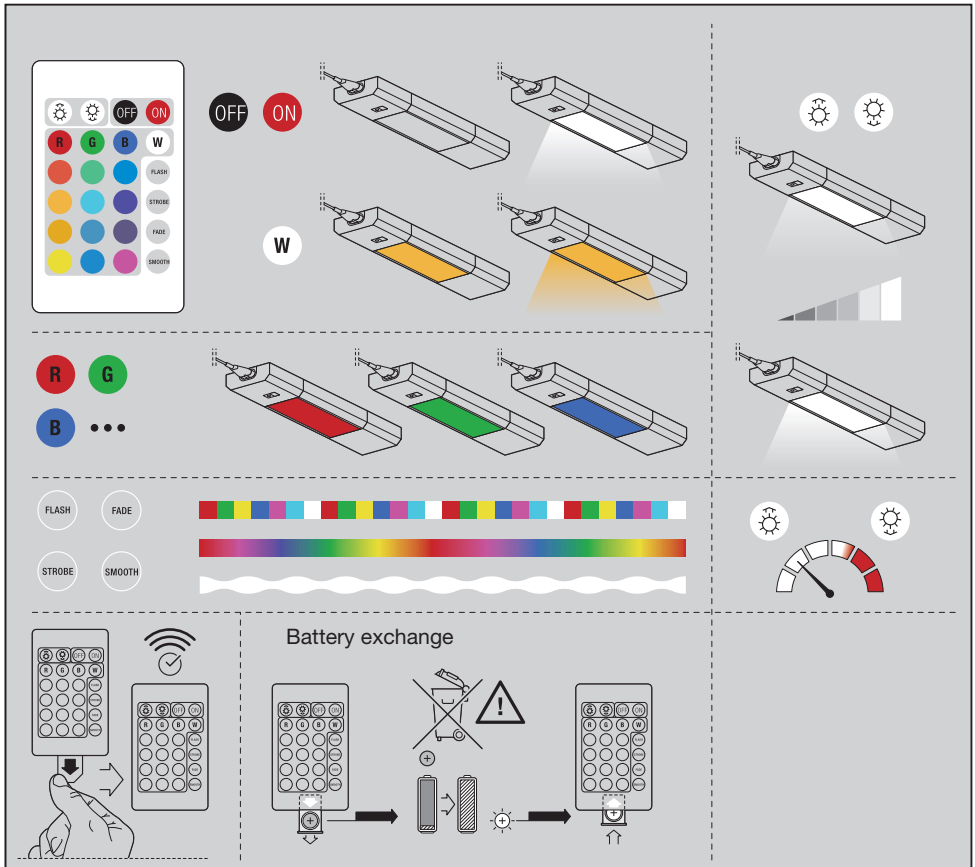

LINEAR LED SLIM RGBW



	EAN	W	lm	K	⊖ (°C)	V~	mA	Hz	PF
Linear LED Slim 30cm RGBW	4058075227651	4	230	RGB+3000	-20...+40	220-240	50	50/60	>0.5
Linear LED Slim 50cm RGBW	4058075227675	6	350	RGB+3000	-20...+40	220-240	70	50/60	>0.5



The main control interface is divided into several sections:

- Control Panel:** A grid of buttons for various functions:
 - Settings: Gear icon, Sun icon, OFF, ON.
 - Colors: R (Red), G (Green), B (Blue), W (White).
 - Effects: FLASH, STROBE, FADE, SMOOTH.
- Light States:**
 - OFF (black circle) and ON (red circle).
 - White light (W in a white circle).
 - Colorful light (R, G, B circles).
- Light Effects:**
 - FLASH: A series of colored bars.
 - FADE: A gradient bar.
 - STROBE: A series of colored bars with a wavy line below.
 - SMOOTH: A wavy line.
- Brightness Control:** A semi-circular dial with a needle and a sun icon, indicating adjustable brightness levels.
- Battery Exchange:** A diagram showing the remote control with a battery cover being removed, a battery being inserted, and the cover being replaced. It includes a warning symbol (exclamation mark in a triangle) and a crossed-out trash can icon, indicating that the battery should be disposed of properly.



C10449057
G11066066
14.02.2019



LEDVANCE GmbH
Steinerne Furt 62
86167 Augsburg, Germany
www.ledvance.com