

Mechanical time switches

- Daily time setting*
- Weekly time setting**

Type 12.01

- Daily
- 1 CO 16 A
- 35.8 mm wide
- 35 mm rail mount

Type 12.11

- Daily
- 1 NO 16 A
- 17.5 mm wide
- 35 mm rail mount

Type 12.31-0000

- Daily
- 1 CO 16 A
- 72 x 72 mm
- Front panel mount

Type 12.31-0007

- Weekly
- 1 CO 16 A
- 72 x 72 mm
- Front panel mount

- Minimum time interval setting:
1 h (12.31-0007)
30 min (12.01)
15 min (12.11 - 12.31-0000)

* Same program every day

** Different program possible for each of the 7 days of the week

For outline drawing see page 11

Contact specification

Contact configuration	1 CO (SPDT)	1 NO (SPST-NO)	1 CO (SPDT)
Rated current/Maximum peak current A	16/—	16/30	16/—
Rated voltage/Maximum switching voltage V AC	250/—	250/—	250/—
Rated load AC1 VA	4000	4000	4000
Rated load AC15 (230 V AC) VA	750	420	420

Nominal lamp rating:

incandescent (230 V) W	2000 (NO contact)	2000	2000
compensated fluorescent (230 V) W	750 (NO contact)	750	750
uncompensated fluorescent (230 V) W	1000 (NO contact)	1000	1000
halogen (230 V) W	2000 (NO contact)	2000	2000

Minimum switching load mW (V/mA)	1000 (10/10)	1000 (10/10)	1000 (10/10)
Standard contact material	AgSnO ₂	AgSnO ₂	AgCdO

Supply specification




Nominal voltage (U _N)	V AC (50/60 Hz)	230	230	120 - 230
	V DC	—	—	—
Rated power AC/DC	VA (50 Hz)/W	2/—	2/—	2/—
Operating range	AC (50 Hz)	(0.85...1.1)U _N	(0.85...1.1)U _N	(0.85...1.1)U _N
	DC	—	—	—

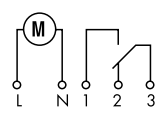
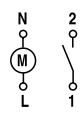
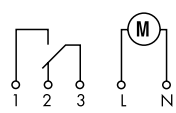
Technical data

Electrical life at rated load in AC1	cycles	50 · 10 ³	50 · 10 ³	50 · 10 ³
Type of time switch		daily	daily	daily weekly
Switching intervals /day		48	96	96 24 (168/week)
Minimum switching interval	min	30	15	15 60
Accuracy	s/day	1.5	1.5	1.5
Ambient temperature range	°C	-5...+50	-5...+50	-10...+50
Protection category		IP 20	IP 20	IP 20

Approvals (according to type)



<p>12.01</p>  <ul style="list-style-type: none"> • Mechanical daily time switch • 1 CO 16 A • 35 mm rail (EN 60715) mount 	<p>12.11</p>  <ul style="list-style-type: none"> • Mechanical daily time switch • 1 NO 16 A • 35 mm rail (EN 60715) mount 	<p>12.31</p>  <ul style="list-style-type: none"> • Mechanical daily or weekly • 1 CO 16 A • Front panel mounting
--	--	---

		
---	---	---

Type 12.51

Digital (analogue-style) time switch, daily/weekly programming

- Can be programmed in "Classic" mode via the joystick, or "Smart" mode via smartphones with NFC communication
- Minimum time interval setting - 30 minutes
- Easily configurable for daily or weekly programming

Type 12.81

Digital Astro-switch

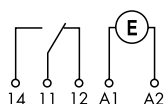
- Can be programmed in "Classic" mode via the joystick, or "Smart" mode via smartphones with NFC communication
- Astro program: calculation of sunrise and sunset times through date, time and location coordinates
- Option for Astro ON period override, by timeswitch
- Location coordinates easily settable for most European countries through post codes
- Offset function: allows programming of switching times offset from the astronomic time (by up to 90 min, in 10 min steps)
- Summer/Winter European, Australian, Brazilian time
- 1 CO 16 A output contact
- LCD status indication, set-up and programming
- Lock with a 4-digit PIN
- Back-light display
- Internal battery for set-up and programming without supply, easily replaceable from the front
- Protective separation between supply and contacts
- 35 mm wide
- 35 mm rail (EN 60715) mount
- Cadmium free contact material

For outline drawing see page 11

NEW 12.51



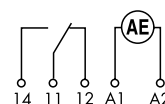
- Digital time switch
- 1 CO 16 A



NEW 12.81



- Digital Astro-switch
- 1 CO 16 A

**Contact specification**

Contact configuration		1 CO (SPDT)	1 CO (SPDT)
Rated current/Maximum peak current	A	16/30 (120 A - 5 ms)	16/30 (120 A - 5 ms)
Rated voltage/Maximum switching voltage	V AC	250/400	250/400
Rated load AC1	VA	4000	4000
Rated load AC15 (230 V AC)	VA	750	750
Nominal lamp rating:			
230 V incandescent/halogen	W	2000	2000
fluorescent tubes with electronic ballast	W	1000	1000
fluorescent tubes with electromechanical ballast	W	750	750
CFL	W	400	400
230 V LED	W	400	400
LV halogen or LED with electronic ballast	W	400	400
LV halogen or LED with electromechanical ballast	W	800	800
Minimum switching load	mW (V/mA)	1000 (10/10)	1000 (10/10)
Standard contact material		AgSnO ₂	AgSnO ₂

Supply specification

Nominal voltage (U _N)	V AC (50/60 Hz)	110...230	110...230
	V DC	110...230	110...230
Rated power AC/DC	VA (50 Hz)/W	2.8/0.9	2.8/0.9
Operating range	AC (50 Hz)	(0.8...1.15)U _N	(0.8...1.15)U _N
	DC	(0.8...1.15)U _N	(0.8...1.15)U _N

Technical data

Electrical life at rated load in AC1	cycles	100 · 10 ³	100 · 10 ³
Switching intervals		48	—
Minimum switching interval	min	30	—
Accuracy	s/day	1	1
Ambient temperature range	°C	-20...+50 (see page 7, diagram L12)	-20...+50 (see page 7, diagram L12)
Protection category		IP 20	IP 20

Approvals (according to type)

Digital time switch, weekly programming
- Can be programmed in "Classic" mode via the joystick, or "Smart" mode via smartphones with NFC communication

Type 12.61

- 1 CO 16 A

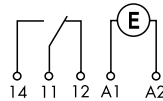
Type 12.62

- 2 CO 16 A

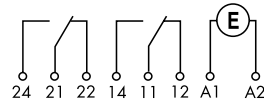
- Functions:
Switch ON, Switch OFF
Pulse: 1s...59 min
- Minimum time interval setting - 1 minute
- Summer/Winter European, Australian, Brazilian time
- LCD status indication, set-up and programming
- Lock with a 4-digit PIN
- Back-light display
- Internal battery for set-up and programming without supply, easily replaceable from the front
- Protective separation between supply and contacts
- 35 mm wide
- 35 mm rail (EN 60715) mount
- Cadmium free contact material



- Weekly programming
- 1 CO 16 A
- Switch ON, Switch OFF, Pulse



- Weekly programming
- 2 CO 16 A
- Switch ON, Switch OFF, Pulse



For outline drawing see page 12

Contact specification

Contact configuration		1 CO (SPDT)	2 CO (DPDT)
Rated current/Maximum peak current	A	16/30 (120 A - 5 ms)	16/30 (120 A - 5 ms)
Rated voltage/Maximum switching voltage	V AC	250/400	250/400
Rated load AC1	VA	4000	4000
Rated load AC15 (230 V AC)	VA	750	750
Nominal lamp rating:			
230 V incandescent/halogen	W	2000	2000
fluorescent tubes with electronic ballast	W	1000	1000
fluorescent tubes with electromechanical ballast	W	750	750
CFL	W	400	400
230 V LED	W	400	400
LV halogen or LED with electronic ballast	W	400	400
LV halogen or LED with electromechanical ballast	W	800	800
Minimum switching load	mW (V/mA)	1000 (10/10)	1000 (10/10)
Standard contact material		AgSnO ₂	AgSnO ₂

Supply specification

Nominal voltage (U _N)	V AC (50/60 Hz)	110...230	110...230
	V DC	110...230	110...230
Rated power AC/DC	VA (50 Hz)/W	2.8/0.9	2.8/0.9
Operating range	AC (50 Hz)	(0.8...1.1)U _N	(0.8...1.1)U _N
	DC	(0.8...1.1)U _N	(0.8...1.1)U _N

Technical data

Electrical life at rated load in AC1	cycles	100 · 10 ³	100 · 10 ³
Type of time switch		Weekly	Weekly
Memory locations for switching times		50	50
Minimum internal setting	min	1	1
Accuracy	s/day	1	1
Ambient temperature range	°C	-20...+50 (see page 7, diagram L12)	-20...+50 (see page 7, diagram L12)
Protection category		IP 20	IP 20

Approvals (according to type)



Weekly Astro time switch

- Can be programmed in "Classic" mode via the joystick, or "Smart" mode via smartphones with NFC communication
- "Astro" program: calculation of sunrise and sunset times through date, time and location coordinates

Type 12.A1

- 1 CO 16 A

Type 12.A2

- 2 CO 16 A

• Functions:

- "Astro" ON, "Astro" OFF
- Switch ON, Switch OFF
- Pulse: 1s...59 min
- Location coordinates easily settable for most European countries through Post codes
- Offset function: allows programming of switching times offset from the astronomical time (by up to 90 min, in 1 min step)
- Minimum time interval setting - 1 minute
- Summer/Winter European, Australian, Brazilian time
- LCD status indication, set-up and programming
- Lock with a 4-digit PIN
- Back-light display
- Internal battery for set-up and programming without supply, easily replaceable from the front
- Protective separation between supply and contacts
- 35 mm wide
- 35 mm rail (EN 60715) mount
- Cadmium free contact material

For outline drawing see page 12

Contact specification

Contact configuration	1 CO (SPDT)	2 CO (DPDT)
Rated current/Maximum peak current A	16/30 (120 A - 5 ms)	16/30 (120 A - 5 ms)
Rated voltage/Maximum switching voltage V AC	250/400	250/400
Rated load AC1 VA	4000	4000
Rated load AC15 (230 V AC) VA	750	750
Nominal lamp rating:		
230 V incandescent/halogen W	2000	2000
fluorescent tubes with electronic ballast W	1000	1000
fluorescent tubes with electromechanical ballast W	750	750
CFL W	400	400
230 V LED W	400	400
LV halogen or LED with electronic ballast W	400	400
LV halogen or LED with electromechanical ballast W	800	800
Minimum switching load mW (V/mA)	1000 (10/10)	1000 (10/10)
Standard contact material	AgSnO ₂	AgSnO ₂

Supply specification

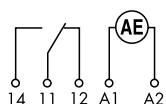
Nominal voltage (U _N)	V AC (50/60 Hz)	110...230	110...230
	V DC	110...230	110...230
Rated power AC/DC	VA (50 Hz)/W	2.8/0.9	2.8/0.9
Operating range	AC (50 Hz)	(0.8...1.1)U _N	(0.8...1.1)U _N
	DC	(0.8...1.1)U _N	(0.8...1.1)U _N

Technical data

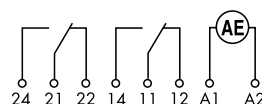
Electrical life at rated load in AC1	cycles	100 · 10 ³	100 · 10 ³
Type of time switch		Weekly	Weekly
Memory locations for switching times		50	50
Minimum internal setting	min	1	1
Accuracy	s/day	1	1
Ambient temperature range	°C	-20...+50 (see page 7, diagram L12)	-20...+50 (see page 7, diagram L12)
Protection category		IP 20	IP 20

Approvals (according to type)**NEW 12.A1**

- Weekly programming
- 1 CO 16 A
- Switch ON, Switch OFF, Pulse

**NEW 12.A2**

- Weekly programming
- 2 CO 16 A
- Switch ON, Switch OFF, Pulse



Electronic digital time switches

- 1 Weekly time setting
- Push-button setting

Type 12.21

- 1 CO 16 A
- 35.8 mm wide

Type 12.22

- 2 CO 16 A
- 35.8 mm wide

Type 12.71

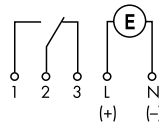
- 1 CO 16 A
- 17.8 mm wide

- Minimum time interval setting - 1 minute
- Internal battery for set-up without supply
- Pulse output function:
1 s... 59:59(mm:ss)
- Automatic adjustment for daylight saving
- 35 mm rail (EN 60715) mount

12.21



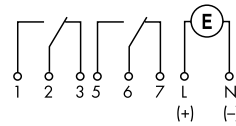
- Digital weekly time switch
- 1 CO 16 A



12.22



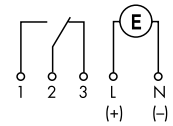
- Digital weekly time switch
- 2 CO 16 A



12.71



- Digital weekly time switch
- 1 CO 16 A
- 17.8 mm wide



For outline drawing see page 11, 12

Contact specification

Contact configuration	1 CO (SPDT)	2 CO (DPDT)	1 CO (SPDT)
Rated current/Maximum peak current A	16/30	16/30	16/30
Rated voltage/Maximum switching voltage V AC	250/—	250/—	250/—
Rated load AC1 VA	4000	4000	4000
Rated load AC15 (230 V AC) VA	750	750	420
Nominal lamp rating:			
230 V incandescent/halogen W	1200	1200	400
fluorescent tubes with electronic ballast W	500	500	100
fluorescent tubes with electromechanical ballast W	400	400	100
CFL W	300	300	50
230 V LED W	300	300	50
LV halogen or LED with electronic ballast W	300	300	50
LV halogen or LED with electromechanical ballast W	500	500	100
Minimum switching load mW (V/mA)	1000 (10/10)	1000 (10/10)	1000 (10/10)
Standard contact material	AgCdO	AgCdO	AgNi

Supply specification

Nominal voltage (U _N)	V AC (50/60 Hz)	—	—	—	230
	V AC/DC	12 - 24	24	24	—
Rated power AC/DC	VA (50 Hz)/W	1.4/1.4	1.4/1.4	1.4/1.4	2/—
Operating range	AC (50 Hz)	(0.9...1.1)U _N	(0.9...1.1)U _N	(0.9...1.1)U _N	(0.85...1.1)U _N
	DC	(0.9...1.1)U _N	(0.9...1.1)U _N	(0.9...1.1)U _N	—

Technical data

Electrical life at rated load in AC1	cycles	50 · 10 ³	50 · 10 ³	50 · 10 ³
Type of time switch		weekly	weekly	weekly
Memory locations for switching times*		30	30	30
Minimum switching interval	min	1	1	1
Accuracy	s/day	0.5	0.5	0.5
Ambient temperature range	°C	-30...+55	-30...+55	-30...+55
Protection category		IP 20	IP 20	IP 20

Approvals (according to type)



* Switching times in memory may be used more than once i.e. when selected for different days.

Ordering information

Example: 12 series digital (analogue style) time switch, 1 CO 16 A contact, (110...230)V AC/DC supply

1 2 . 5 1 . 8 . 2 3 0 . 0 0 0 0

Series

Type

- 0 = Daily, 35.8 mm wide
- 1 = Daily, 17.5 mm wide
- 2 = Weekly, 35.8 mm wide
- 3 = Daily or Weekly, 72 x 72 mm
- 5 = Digital (analogue style),
NFC programming, 35 mm wide
- 6 = Weekly, NFC programming,
35 mm wide
- 7 = Weekly, 17.5 mm wide
- 8 = Astro-switch, NFC programming,
35 mm wide
- A = Weekly "Astro", NFC programming,
35 mm wide

No. of poles

- 1 = 1 CO (SPDT), 16 A
- 1 = 1 NO (SPST), 16 A
- 2 = 2 CO (DPDT), 16 A

Option

- 0 = With power back-up
- 1 = Without power back-up
(type 12.11)

Supply voltage

- 012 = 12 V AC/DC
- 024 = 24 V AC/DC
- 120 = 120 V AC
- 230 = 230 V AC
- 230 = (110...230)V AC/DC
(types 12.51, 12.81, 12.61,
12.62, 12.A1, 12.A2)

Supply version

- 0 = AC (50/60 Hz)/DC (types 12.21.0.012,
12.21.0.024, 12.22.0.024, 12.71.0.024)
- 8 = AC (50/60 Hz)
- 8 = AC (50/60 Hz)/DC (types 12.51, 12.81, 12.61,
12.62, 12.A1, 12.A2)

Option

- 0 = Standard
- 0 = Daily only for 12.31
- 7 = Weekly only for 12.31

Special version

- 0 = Standard

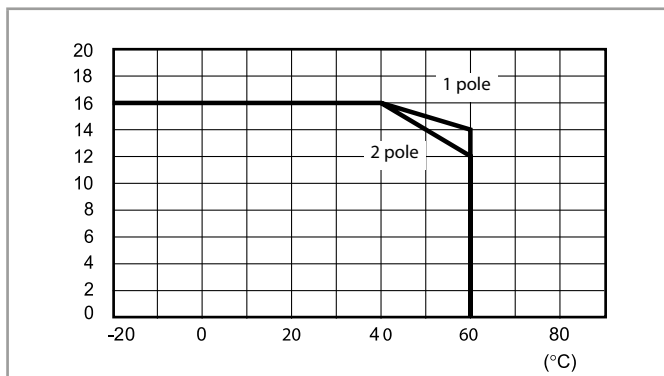
Codes

- 12.01.8.230.0000
- 12.11.8.230.0000
- 12.11.8.230.1000
- 12.21.0.012.0000
- 12.21.0.024.0000
- 12.22.0.024.0000
- 12.31.8.230.0000
- 12.31.8.230.0007
- 12.51.8.230.0000
- 12.71.0.024.0000
- 12.71.8.230.0000
- 12.81.8.230.0000
- 12.61.8.230.0000
- 12.62.8.230.0000
- 12.A1.8.230.0000
- 12.A2.8.230.0000

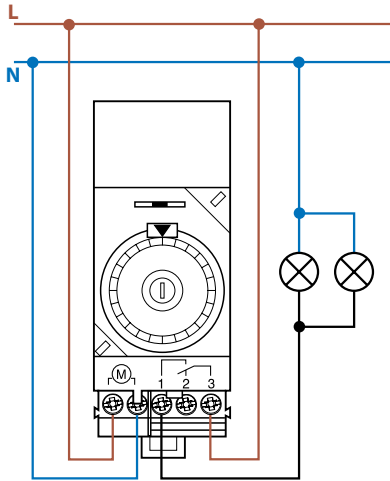
Technical data

Insulation		12.51, 12.61, 12.62, 12.81, 12.A1, 12.A2	12.01, 12.11, 12.31, 12.21, 12.22, 12.71
Dielectric strength between supply and contacts	V AC	4000	4000
Dielectric strength between open contacts	V AC	1000	1000
Rated impulse voltage (between supply and contacts)	kV/(1.2/50) μ s	6	6
Rated impulse voltage (between open contacts)	kV/(1.2/50) μ s	1.5	1.5
EMC specifications			
Type of test		Reference standard	
Electrostatic discharge	contact discharge	EN 61000-4-2	4 kV
	air discharge	EN 61000-4-2	8 kV
Radiated electromagnetic field (80...1000 MHz)		EN 61000-4-3	10 V/m
Fast transients (burst 5/50 ns, 5 and 100 kHz)		EN 61000-4-4	4 kV
Voltage pulses on supply terminals (surge 1.2/50 μ s)	common mode	EN 61000-4-5	4 kV
	differential mode	EN 61000-4-5	4 kV
Radiofrequency common mode voltage (0.15...80 MHz)		EN 61000-4-6	10 V
Voltage dips	70% U_N , 40% U_N	EN 61000-4-11	10 cycles
Short interruptions		EN 61000-4-11	10 cycles
Radio frequency conducted emissions	0.15...30 MHz	EN 55014	class B
Radiated emissions		30...1000 MHz	EN 55014
class B			class B
class B			class B
Terminals			
Screw torque		Nm	0.8
Max. wire size		mm ²	AWG
	solid cable	1 x 6 / 2 x 4	1 x 10 / 2 x 12
	stranded cable	1 x 4 / 2 x 2.5	1 x 12 / 2 x 14
Wire strip length	mm	9	
Other data			
Power back-up (Battery life)		6 years (12.51, 12.61, 12.62, 12.81, 12.A1, 12.A2, 12.21, 12.22, 12.71)	
Battery type		CR 2032, 3 V, 230 mAh (12.51, 12.61, 12.62, 12.81, 12.A1, 12.A2)	
Power back-up		100 h (12.01, 12.11, 12.31 - following 80 h continuous energisation)	
Power lost to the environment		12.51, 12.61, 12.81, 12.A1	12.62, 12.A2
	in stand-by W	0.2	0.2
	without contact current W	0.9	0.9
	with rated current W	1.5	2.1
		12.01, 12.11, 12.31	12.21, 12.22, 12.71
		—	—
		1.5	2
		2.5	3 (for 1 pole)/ 4 (for 2 pole)

L 12 - Rated current vs ambient temperature



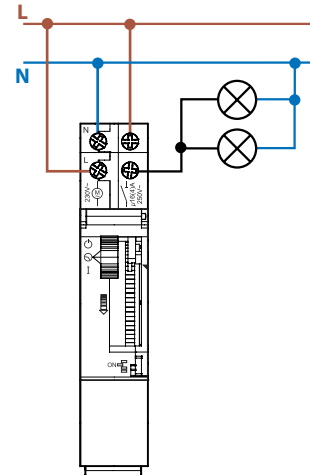
Wiring diagrams



Type 12.01

Selector switch:

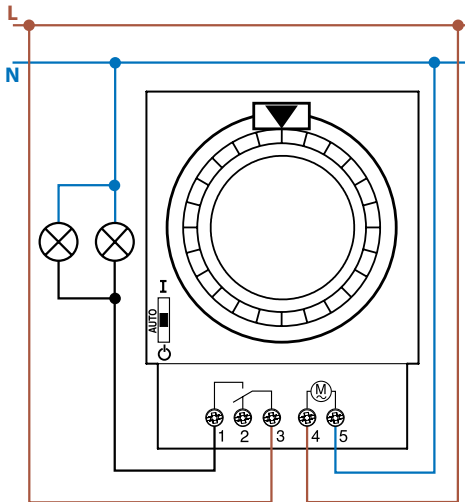
- ⊖ = Permanently OFF
- AUTO = Automatic
- I = Permanently ON



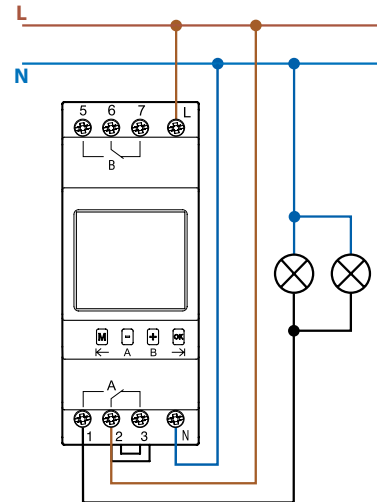
Type 12.11

Selector switch:

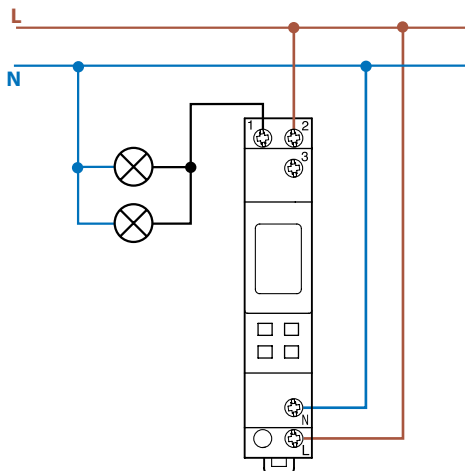
- ⊖ = Permanently OFF
- ⊙ = Automatic
- I = Permanently ON



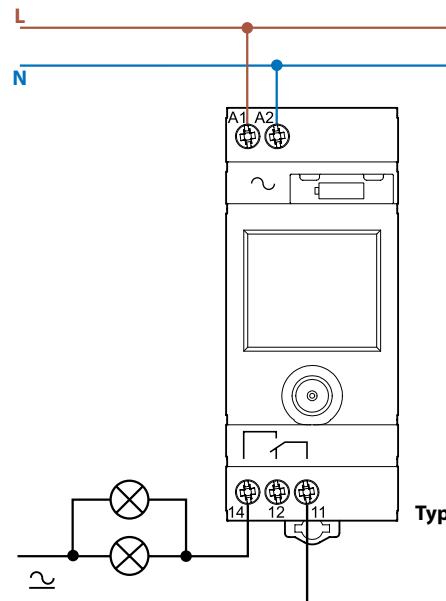
Type 12.31



Type 12.21
12.22

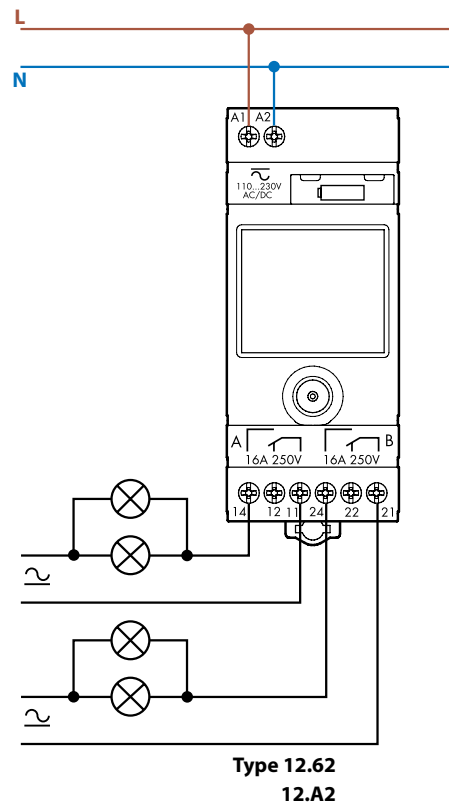
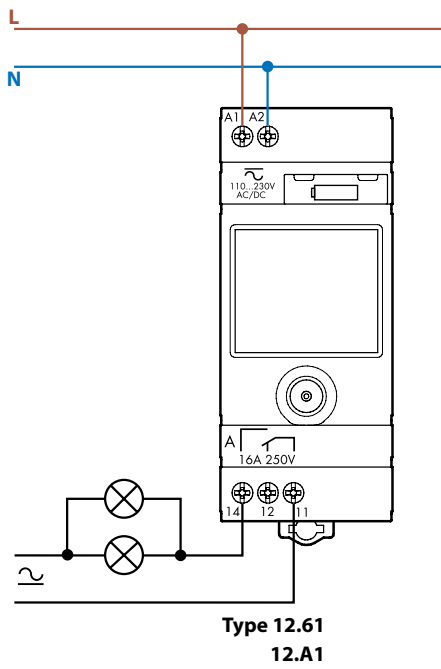


Type 12.71



Type 12.51
12.81

Wiring diagrams



Two programming modes for type 12.51, 12.61, 12.62, 12.81, 12.A1, 12.A2

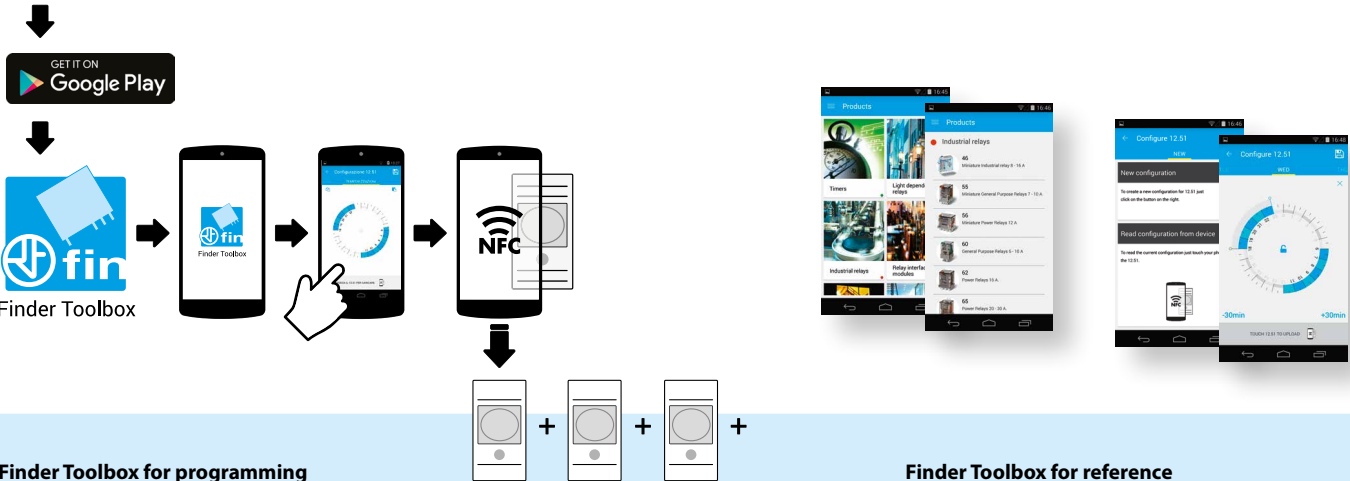
“Smart”

Mode via smartphones with NFC communication using Finder toolbox Android App.



“Classic”

Mode via the joystick



Finder Toolbox for programming

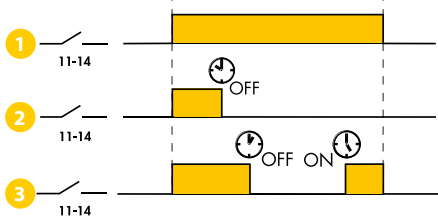
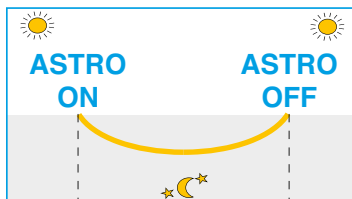
Once the App FINDER Toolbox is downloaded and installed, you can read an existing program, or program your device with maximum flexibility, changing the smallest details and saving your program directly to your smartphone.

At this point you simply touch the time switch with the smartphone to transfer the data.

Finder Toolbox for reference

Finder Toolbox provides all technical data sheets and news from Finder.

Functions type 12.81



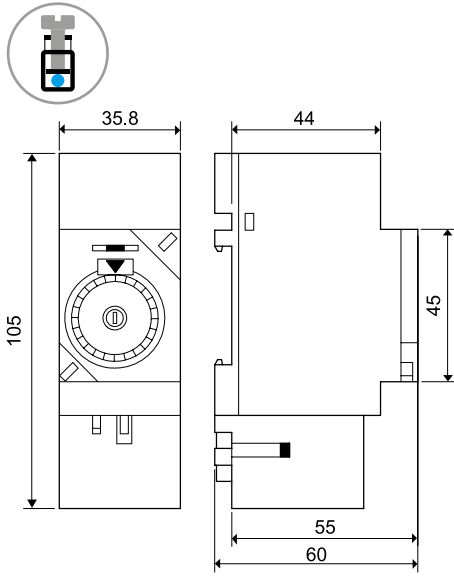
The Override feature permits the 12.81 three different ways of functioning:

- 1 Classic function where the **AstroON** and **AstroOFF** times are determined by the geographic coordinates. These times vary every day.
- 2 Functions such that the output turns on according to the **AstroON** time and turns off according to the clock off-time OFF . Application example: shop window lighting on by **AstroON** at sunset and off OFF at 00:30.
- 3 Functions such that the output turns on according to the **AstroON** time and turns off according to the clock off-time OFF , and then turns back on at the clock on-time ON (for the remainder of the ASTRO time period). Application example: company car park lighting, on by **AstroON** at sunset, off end of the evening shift at 23:00 OFF . On again at the beginning of the morning shift at 5:00 ON and off automatically by **AstroOFF***

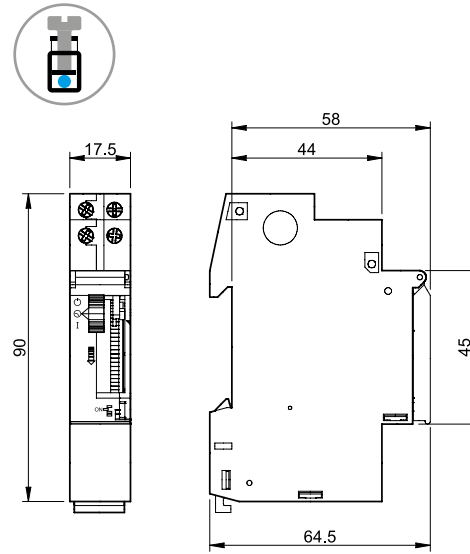
* Depending on the time of year (summer specifically) it may be that the override ON time will fall after the AstroOFF time. In this case, the output switches off at the AstroOFF time and the override ON time is ignored.

Outline drawings

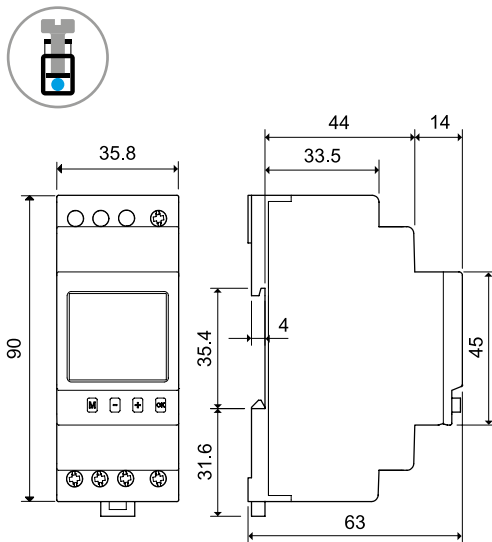
12.01
Screw terminal



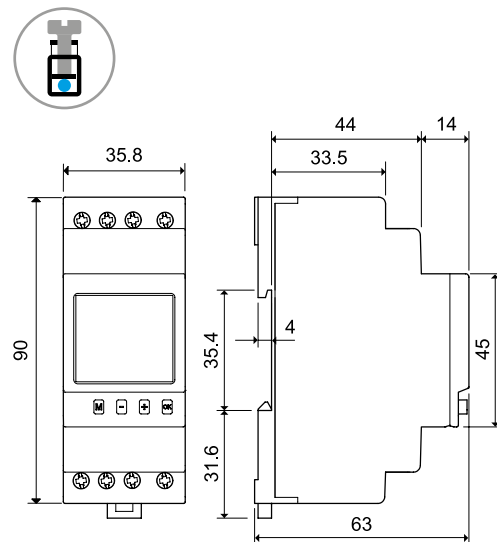
12.11
Screw terminal



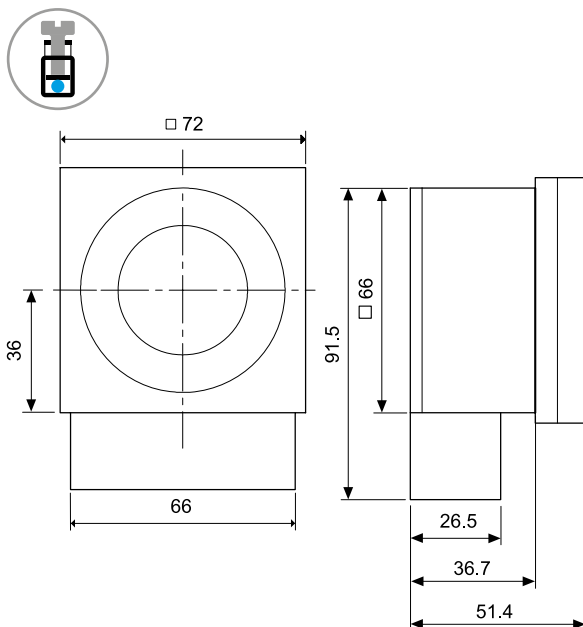
12.21
Screw terminal



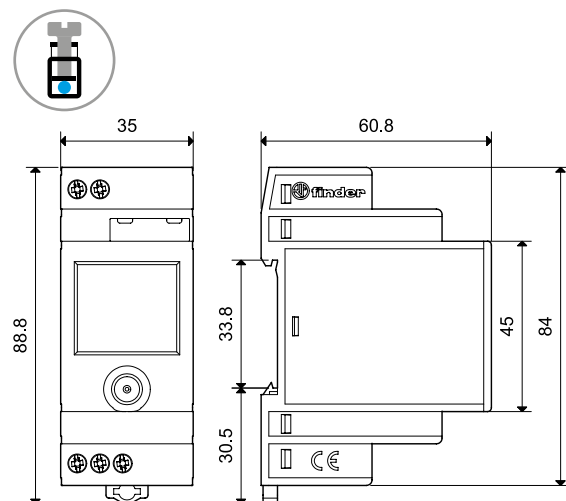
12.22
Screw terminal



12.31
Screw terminal

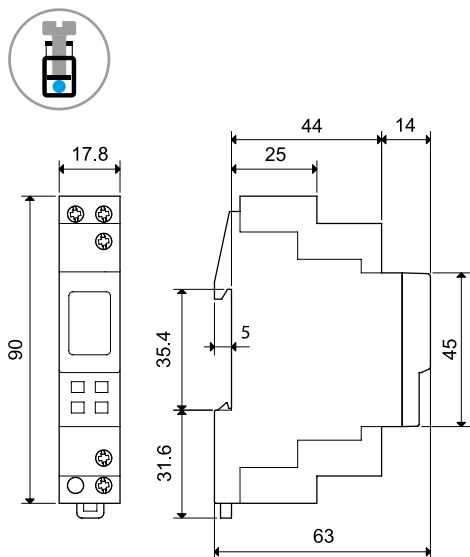


12.51/12.81
Screw terminal

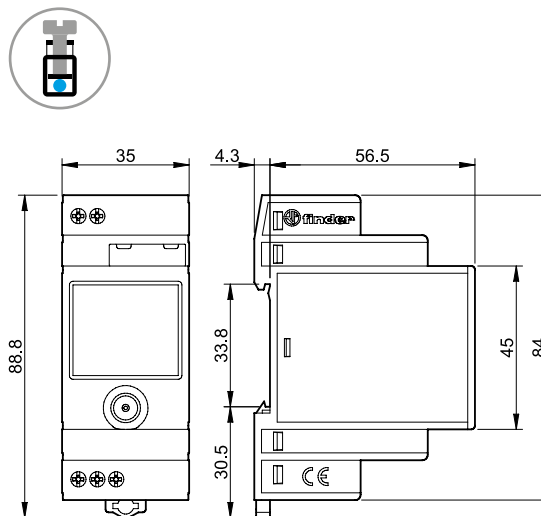


Outline drawings

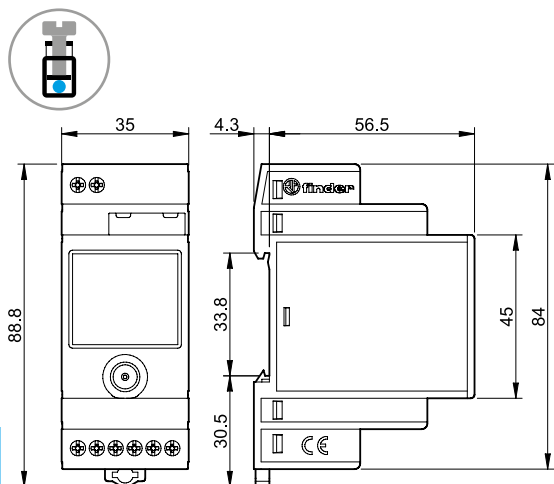
12.71
Screw terminal



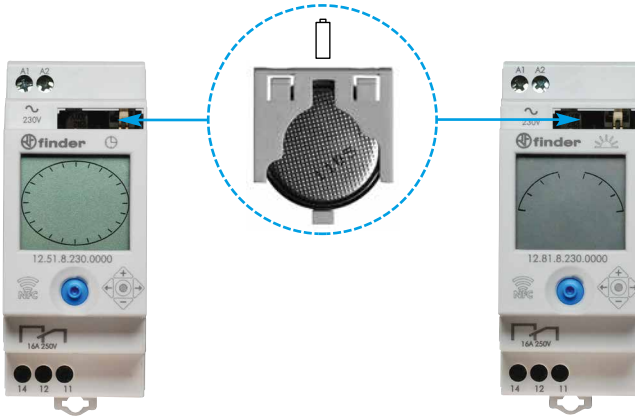
12.61 / 12.A1
Screw terminal




12.62 / 12.A2
Screw terminal



Battery replacement type 12.51, 12.61, 12.62, 12.81, 12.A1, 12.A2



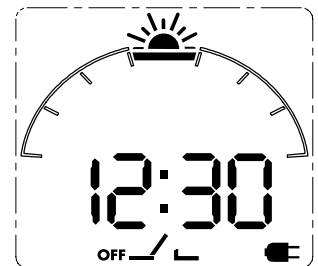
Power-save mode

If the 230 V AC supply is not connected, the time switch enters power-save mode: only the clock is maintained active whilst the display turns off so as to guarantee a long life for the built-in back-up battery. With a press to the joystick it is possible to “awake” the device and enter Display mode (with the “plug” symbol displayed). A further press to  will enter the program or set-up mode as explained in the Display mode section above.

After about 1 minute of inactivity the power-save mode will start again. During program or set-up the current absorption is higher than in power-save mode, thus influencing the battery life.

In this mode the display back-light is not active. It is activated following a press to the joystick only with the 230 V AC supply connected, but after about 1 minute of inactivity the display back-light will turn off, and to activate it again it is necessary to press the joystick again.

Note: the output relay only functions if the power supply is connected.



Accessories type 12.51, 12.61, 12.62, 12.81, 12.A1, 12.A2



011.01

Adaptor for panel mounting, 35 mm wide

011.01

